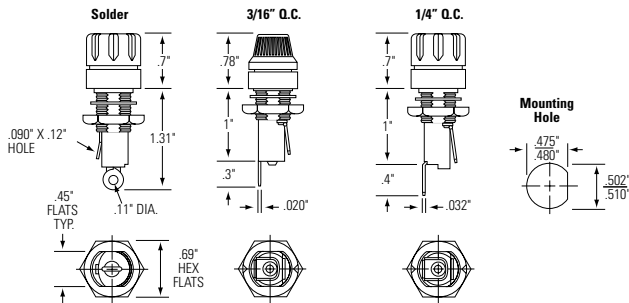


342 Series Panel Mount Enclosed Fuse Holders for 3AG/AB Fuses

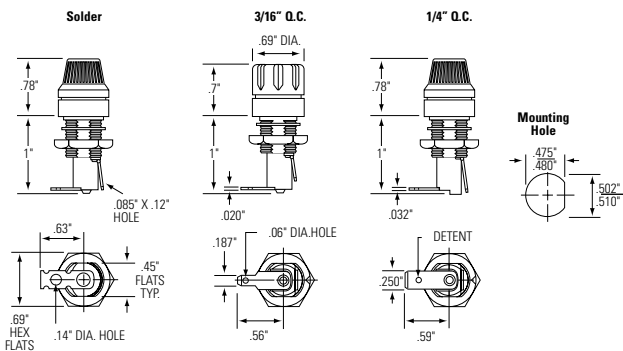


Dimensions

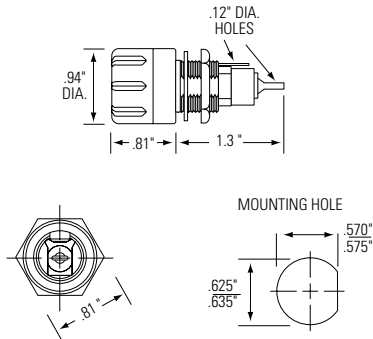
General Application / Straight Terminal Product Dimensions



General Application / Right Angle Terminal Product Dimensions



Watertight Product Dimensions



Product Characteristics

	General Application Products	Watertight Product
Compatible Fuses	3AG/AB	
Electrical	Rated at 20 amperes for any voltage up to 250.	
Ambient Temperature	-40°C to +85°C.	
Dielectric Strength	2400 volts minimum.	1500 volts minimum.
Mounting	Withstands 15 lb.-in. mounting torque; maximum panel thickness: .187"	Withstands 15 lb.-in. mounting torque; maximum panel thickness is .250"
Molded Parts	Black thermoplastic (UL94 V-0).	Black thermoset (UL94 V-0).
Seal	Neoprene washer provide drip-proof protection on the front side of the panel (upon request)	O-ring provides a watertight seal on the front side of the panel per MIL-PRF-19207.
Terminals	Copper & copper alloy. Tin plated, except ¼" Quick-Connect terminals are nickel plated.	Copper & copper alloy. Tin plated.
Hardware	Comes with a mounting nut and neoprene washer	O-rings (2) and hex nut, unassembled.

Agency Approvals

Agency	Agency File Number
	E14721
	7316 (*Except 342 006)

Ordering Information

Body Terminal Type		Catalog Number	
Angle	Connect	Fluted Knob	Knurled Knob
General Application Products			
Straight	Solder	342 014	342 012
	3/16" Q.C.	342 038	342 058
	1/4" Q.C.	342 838	342 858
Right Angle	Solder	342 004	342 022
	3/16" Q.C.	342 028	342 048
	1/4" Q.C.	342 828	342 848
Watertight Product			
Straight	Solder	342 006 *	Not Applicable

NOTE: Refer to [Fuseology](#) for information on proper fuseholder re-rating.

Additional Information



Disclaimer Notice - Information furnished is believed to be accurate and reliable. However, users should independently evaluate the suitability of and test each product selected for their own applications. Littelfuse products are not designed for, and may not be used in, all applications. Read complete Disclaimer Notice at: www.littelfuse.com/disclaimer-electronics.

Mouser Electronics

Authorized Distributor

Click to View Pricing, Inventory, Delivery & Lifecycle Information:

Littelfuse:

[03420104HX040](#) [03420012HX010](#) [03420001X](#) [03420838HX010](#) [03420828X](#) [03420004HXP](#) [03420028HXL](#)
[03420004HXPL](#) [03420848X](#) [03420828H](#) [03420038X](#) [03420028X](#) [03420838HXP](#) [03420858HXL](#) [03420021Z](#)
[03420014H](#) [03420838H](#) [03420058HXL](#) [03420058X](#) [03420048HXL](#) [03420858H](#) [03420858HXP](#) [03420012HXL](#)
[03420848H](#) [03420012X](#) [03420024Z](#) [03420858HXPL](#) [03420012HXP](#) [03420848HXL](#) [03420038H](#) [03420014HXL](#)
[03420048X](#) [03420028H](#) [03420014X](#) [03420838HXL](#) [03420058H](#) [03420006ZXA](#) [03420012H](#) [03420022X](#)
[03420038HXL](#) [03420022HXL](#) [03420048H](#) [03420828HXL](#) [03420858X](#) [03420006Z](#) [03420025Z](#) [03420048HXPL](#)
[03420022H](#) [03420004H](#) [03420004HXL](#) [03420838X](#) [03420001H](#) [03420006T](#) [03420858XXL](#) [03420838HXA](#)
[03420004X](#)