

239 Series, 5x20 mm, Slo-Blo® Fuse



Description

5x20mm Slo-Blo® glass body cartridge fuse designed to UL specification.

Features

- Designed to UL/CSA/ ANCE 248-1 and 248-14 Standards
- Available in cartridge and axial lead format
- RoHS compliant and lead-free

Applications

Used as supplementary protection in appliance or utilization equipment to provide individual protection for components or internal circuits.

Agency Approvals

Agency	Agency File Number	Ampere Range	
	Cartridge: NBK030609-JP1021A NBK190609-JP1021A NBK030609-JP1021B	1A – 3.5A 4A – 5A 7A	
	Leaded: NBK030609-JP1021C NBK190609-JP1021B NBK030609-JP1021D	1A – 3.5A 4A – 5A 7A	
		SU05001 – 2004A SU05001 – 2014A	0.200A – 3.15A 4A – 7A
			E10480
	29862		0.200A – 3.15A 4A – 7A
		N/A	0.080A – 7A

Electrical Characteristics for Series

% of Ampere Rating	Ampere Ratings	Opening Time
100%	All Ratings	4 hours, Minimum
135%		1 hour, Maximum
200%		2 minutes, Maximum

Additional Information



Datasheet



Resources



Samples



Accessories

For recommended fuse accessories for this product series, see '[Recommended Accessories](#)' section.

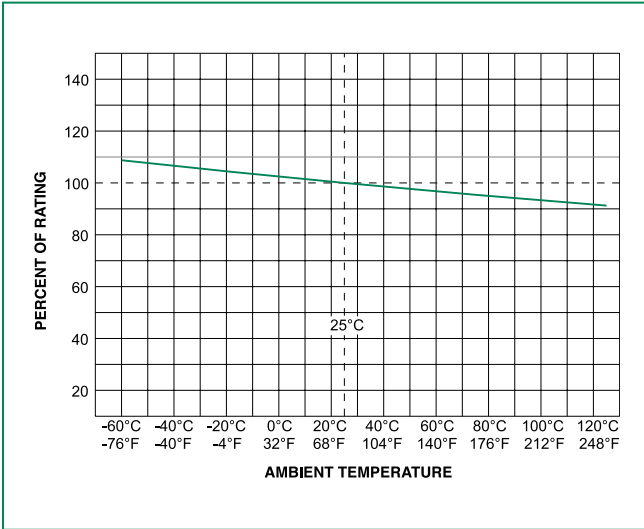
Axial Lead & Cartridge Fuses

5x20 mm > Slo-Blo® Fuse > 239 Series

Electrical Characteristic Specification by Item

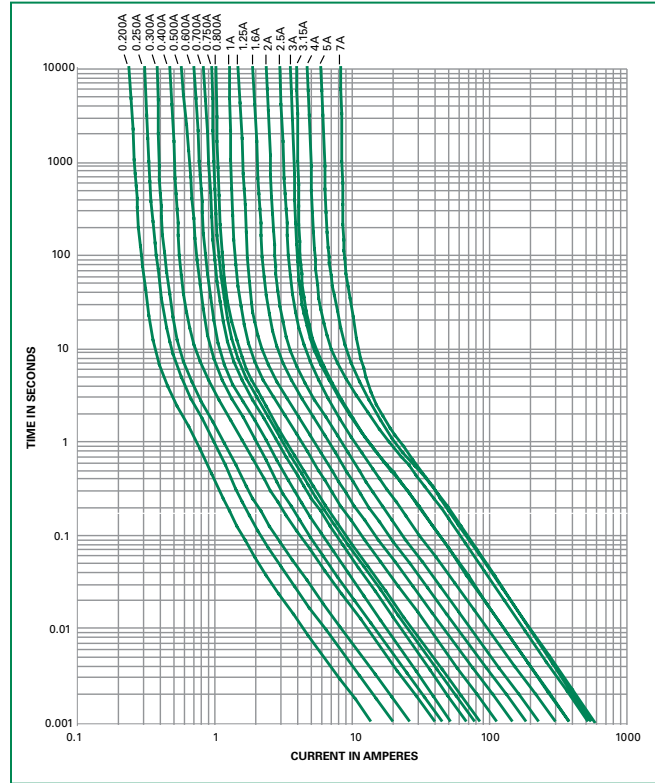
Amp Code	Amp Rating (A)	Voltage Rating (V)	Interrupting Rating	Nominal Cold Resistance (Ohms)	Nominal Melting I ² t (A ² sec)	Agency Approvals				
						UL	SF	PS E	CCC	CE
.080	0.08	250	35A @ 250 VAC 10kA @ 125 VAC	28.1750	0.02500	x				x
.100	0.1	250		17.3425	0.05500	x				x
.125	0.125	250		11.6000	0.08500	x				x
.150	0.15	250		8.1000	0.13000	x				x
.200	0.2	250		3.8725	0.16500	x	x		x	x
.250	0.25	250		3.0700	0.34000	x	x		x	x
.300	0.3	250		2.3000	0.61500	x	x		x	x
.400	0.4	250		1.4750	2.02000	x	x		x	x
.500	0.5	250		0.9090	1.98500	x	x		x	x
.600	0.6	250		0.6990	2.41500	x	x		x	x
.700	0.7	250		0.5375	4.12000	x	x		x	x
.750	0.75	250		0.4710	5.42500	x	x		x	x
.800	0.8	250		0.4155	7.56500	x	x		x	x
001.	1	250		0.2965	11.29500	x	x	x	x	x
1.25	1.25	250	10kA @ 125 VAC 100A @ 250 VAC	0.1980	19.52500	x	x	x	x	x
01.6	1.6	250		0.1205	30.43000	x	x	x	x	x
002.	2	250		0.0943	50.58500	x	x	x	x	x
02.5	2.5	250		0.0583	79.70500	x	x	x	x	x
003.	3	250		0.04877	129.51000	x	x	x	x	x
3.15	3.15	250		0.0414	128.05000	x	x	x	x	x
03.2	3.2	250		0.0385	128.05000	x		x		x
03.5	3.5	250		0.0370	128.05000	x		x		x
004.	4	125	10kA @ 125 VAC	0.0312	270.703	x	x	x	x	x
005.	5	125		0.0199	302.836	x	x	x	x	x
007.	7	125		0.0114	305.758	x	x	x	x	x

Temperature Re-rating Curve

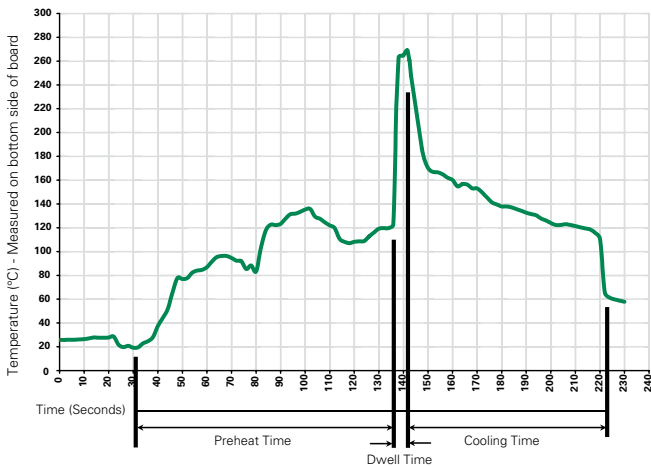


Note:
Re-rating depicted in this curve is in addition to the standard derating of 25% for continuous operation.

Average Time Current Curves



Soldering Parameters - Wave Soldering



Recommended Process Parameters:

Wave Parameter	Lead-Free Recommendation
Preheat: (Depends on Flux Activation Temperature)	(Typical Industry Recommendation)
Temperature Minimum:	100°C
Temperature Maximum:	150°C
Preheat Time:	60-180 seconds
Solder Pot Temperature:	260°C Maximum
Solder Dwell Time:	2-5 seconds

Recommended Hand-Solder Parameters:

Solder Iron Temperature: 350°C +/- 5°C
Heating Time: 5 seconds max.

Note: These devices are not recommended for IR or Convection Reflow process.

Axial Lead & Cartridge Fuses

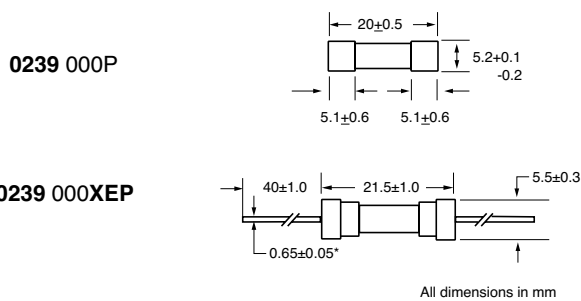
5x20 mm > Slo-Blo® Fuse > 239 Series

Product Characteristics

Materials	Body: Glass Cap: Nickel-plated brass Leads: Tin-plated Copper
Terminal Strength	MIL-STD-202, Method 211, Test Condition A
Solderability	MIL-STD-202 Method 208
Product Marking	Cap 1: Brand logo, current and voltage rating Cap 2: Series and agency approval markings

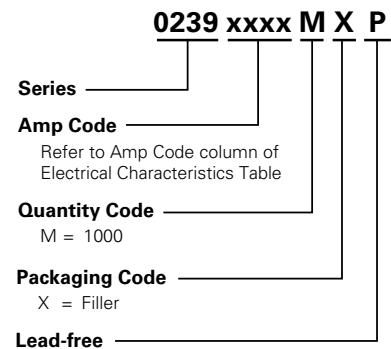
Operating Temperature	-55°C to +125°C
Thermal Shock	MIL-STD-202, Method 107, Test Condition B: (5 cycles -65°C to +125°C)
Vibration	MIL-STD-202, Method 201
Humidity	MIL-STD-202, Method 103, Test Condition A. high RH (95%) and elevated temp (40°C) for 240 hours
Salt Spray	MIL-STD-202, Method 101, Test Condition B

Dimensions



Notes:
* Ratings above 6.3A have 0.8±0.05 diameter lead.

Part Numbering System



Packaging

Packaging Option	Packaging Specification	Quantity	Quantity & Packaging Code	Taping Width
239 Series				
Bulk	N/A	1000	MX	N/A
Bulk	N/A	1000	MXE	N/A
Reel and Tape	EIA 296-E	1000	MRET1	T1=52mm (2.062")
Bulk	N/A	1000	MXB	N/A
Bulk	N/A	100	HX	N/A
Bulk	N/A	100	HXE	N/A

Recommended Accessories

Accessory Type	Series	Description	Max Application Voltage	Max Application Amperage
Holder	345_ISF	Panel Mount Shock-Safe Fuseholder	250	10
	345	Shock-Safe Fuseholder with PC Mount, Solder Mount and Panel Mount options		20
	830	PC Mount Shock-Safe Miniature Fuseholder		16
Block	520	Metric OMNI-BLOK® Fuse Block		10
	646	PC Mount Miniature Fuse Block		6.3
	658	Surface Mount Miniature Fuse Block		10
Clip	520_WV	PC Mount Miniature Fuse Clip		6.3
	111	PC Board Mount Fuse Clip		10
	445	PC Board Mount Fuse Clip		10

Notes:
1. Do not use in applications above rating.
2. Please refer to fuseholder data sheet for specific re-rating information.
3. Please contact factory for applications greater than the max voltage and amperage shown.

Mouser Electronics

Authorized Distributor

Click to View Pricing, Inventory, Delivery & Lifecycle Information:

Littelfuse:

[0239003.MXF34P](#) [0239003.MXF11P](#) [0239.200TXP](#) [0239001.TXP](#) [0239007.MRET1P](#) [0239.750TXP](#) [023901.6TXP](#)
[0239.500MRET1P](#) [0239003.TXP](#) [0239.300TXP](#) [0239005.MXBP](#) [02393.15MRET1P](#) [0239001.MRET1P](#)
[0239.600TXP](#) [0239002.MRET1P](#) [0239.250TXP](#) [0239.700MRET1P](#) [0239002.MXF27P](#) [0239.200MRET1P](#)
[0239003.MXF20P](#) [0239.400TXP](#) [02393.15TXP](#) [0239002.TXP](#) [0239005.TXP](#) [0239.700TXP](#) [0239.500TXP](#)
[02391.25MRET1P](#) [0239004.TXP](#) [0239.400MRET1P](#) [0239.250MRET1P](#) [0239.800MRET1P](#) [0239003.MRET1P](#)
[0239.300MRET1P](#) [023903.2MXP](#) [0239.125MRET1P](#) [023901.6MRET1P](#) [0239.750MRET1P](#) [02393.15MXF14P](#)
[0239.800TXP](#) [02391.25TXP](#) [0239004.MRET1P](#) [023901.6MXBP](#) [06183.15MXP](#) [0618.250MXP](#) [0617005.MXP](#)
[0618.200MXEP](#) [0618.315MXP](#) [061706.3MXP](#) [0618.400MXEP](#) [0688015.MXP](#) [03100326M](#) [0618.500MXP](#)
[061701.6MXEP](#) [0618008.MXP](#) [0617.500MXEP](#) [0617.500MXP](#) [0618004.MXP](#) [061806.3MXEP](#) [0618010.MXEP](#)
[061706.3MXEP](#) [06171.25MXP](#) [0618.800MXEP](#) [0618.400MXP](#) [0618010.MXP](#) [0617.400MXP](#) [0618005.MXEP](#)
[061802.5MXEP](#) [06171.25MXEP](#) [06181.25MXP](#) [0618.315MXEP](#) [0617010.MXEP](#) [0617008.MXP](#) [0618.630MXEP](#)
[0618.250MXEP](#) [0617008.MXEP](#) [0618004.MXEP](#) [0617001.MXP](#) [0617004.MXP](#) [0617005.MXEP](#) [0617002.MXEP](#)
[0618.200MXP](#) [0618.800MXP](#) [0618.160MXEP](#) [0617004.MXEP](#) [0617.630MXEP](#) [0688005.MXP](#) [0618008.MXEP](#)
[06183.15MXEP](#) [061801.6MXEP](#) [0617.800MXEP](#) [06173.15MXEP](#) [061702.5MXP](#) [0618001.MXEP](#) [0617.630MXP](#)
[0617001.MXEP](#) [0618.500MXEP](#) [0618002.MXEP](#) [0618.160MXP](#) [0617.800MXP](#) [0618.630MXP](#)