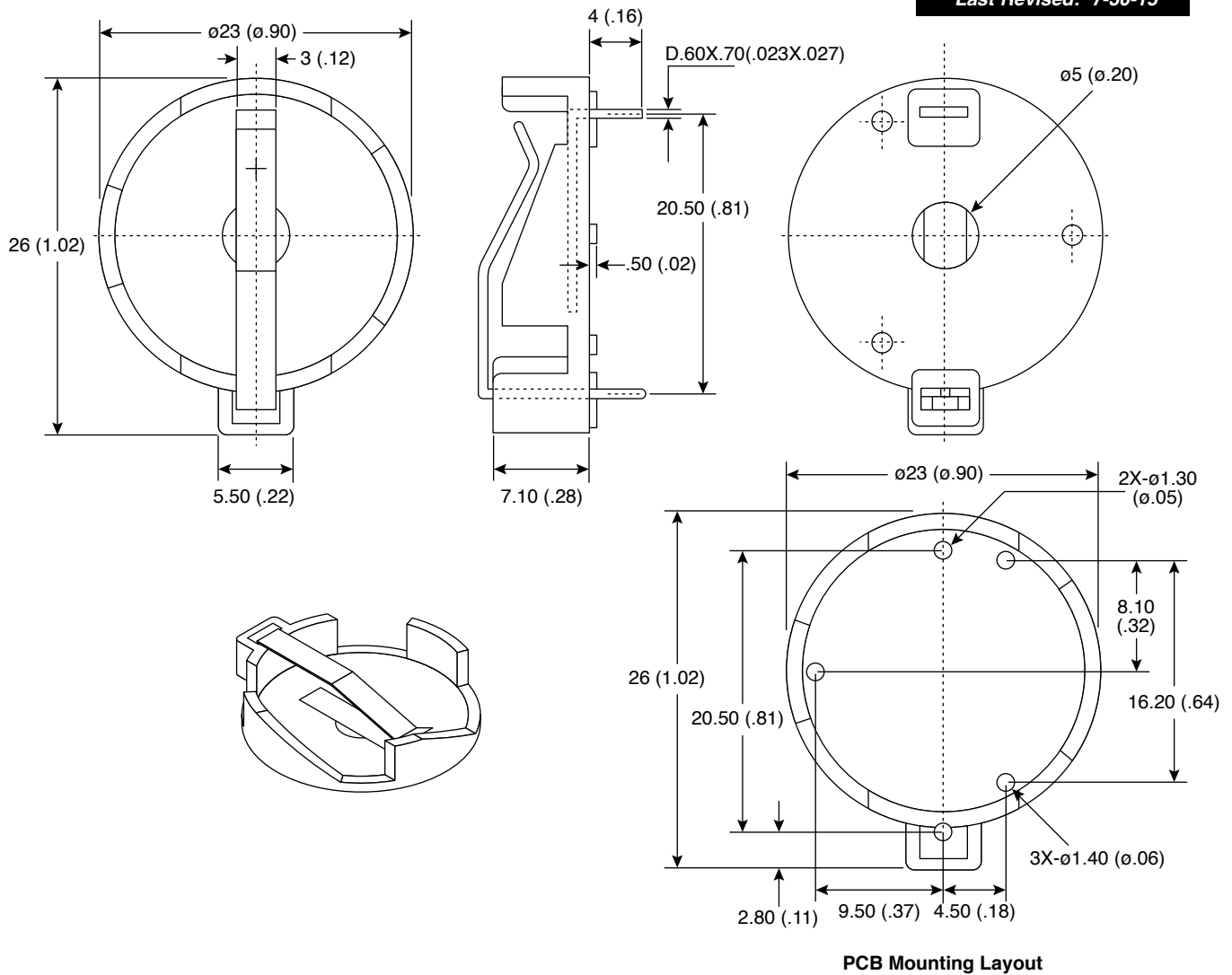


Last Revised: 7-30-15



Dimensions: mm (in.)

SPECIFICATIONS	
Housing Material:	PBT+30%GF Black
Contact Material:	Phosphor Bronze 0.6 Thick Tin Plated Over Nickel
Current Rating:	2A (AC/DC)
Voltage Rating:	500VAC/DC
Contact Resistance:	30mΩ
Insulation Resistance:	500MΩ
Temperature Range:	-55°C to +85°C
Humidity:	40°C and 90-95% RH for 96 hours
RoHS Compliant	

Available from Mouser Electronics
1-800-346-6873 / www.mouser.com

EPD-200878

Mouser Electronics

Authorized Distributor

Click to View Pricing, Inventory, Delivery & Lifecycle Information:

[Eagle Plastic Devices:](#)

[122-2582-GR](#)