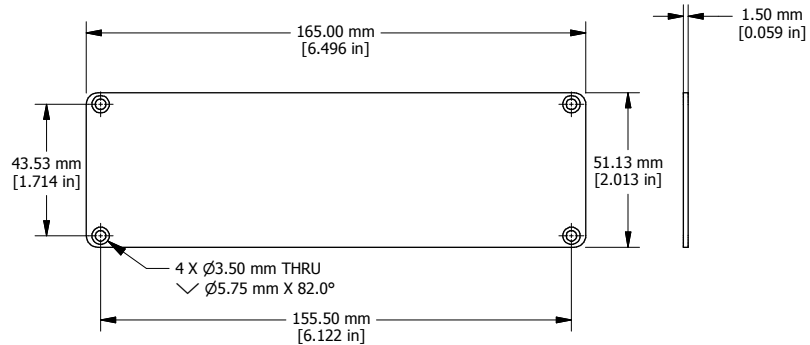


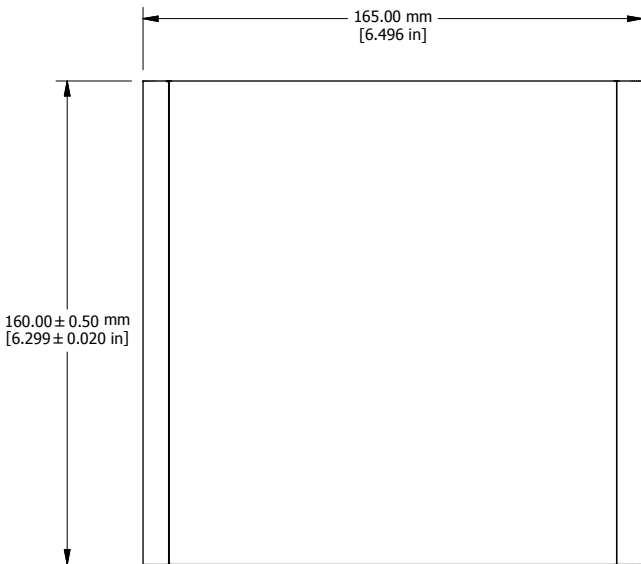
EXTRUSION



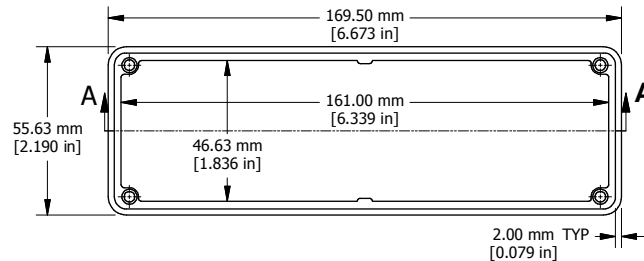
END PLATE

OPTIONAL FLANGE  
END PANELS 1455TF

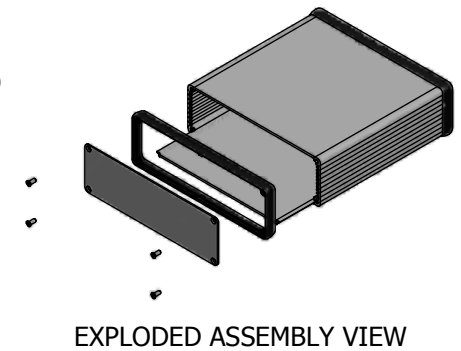
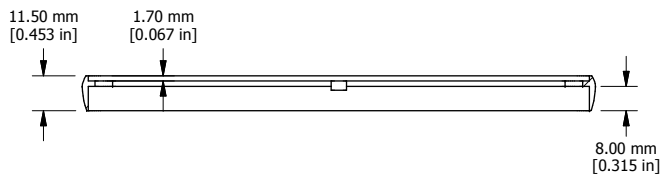
EXTRUSION DESIGNED FOR 160MM WIDE P BOARD



OPEN BEZEL



SECTION A-A



EXPLODED ASSEMBLY VIEW

Enclosures can be Factory Modified ( Milling, Drilling, Printing etc. )  
 Solid models of this enclosure available in STEP or IGES.  
 Contact Factory [mjm@hammondmfg.com](mailto:mjm@hammondmfg.com)

**NOTE**

Purchased assembly includes box, plastic bezels, end panels, #6 Taptight screws and self adhesive rubber feet.  
 Box made from Extruded Aluminum 6063.  
 Bezels made with polycarbonate.

**1455T1601**

**PART NUMBERS**

Clear Anodized	1455T1601
Black Anodized	1455T1601BK
Blue Anodized	1455T1601BU
Red Anodized	1455T1601RD

**ACCESSORIES**

See website for accessories.



# Mouser Electronics

Authorized Distributor

Click to View Pricing, Inventory, Delivery & Lifecycle Information:

[Hammond:](#)

[1455T1601](#) [1455T1601BK](#) [1455TALBU-10](#) [1455T1601BU](#) [1455T1601RD](#)