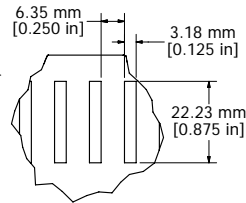
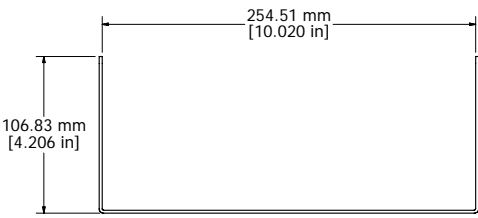
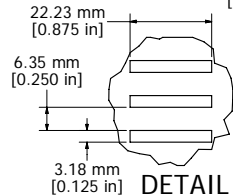


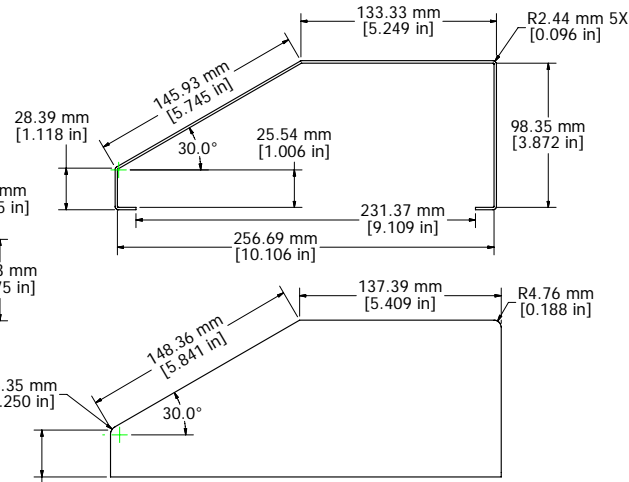
ASSEMBLY - REAR VIEW (OPEN)



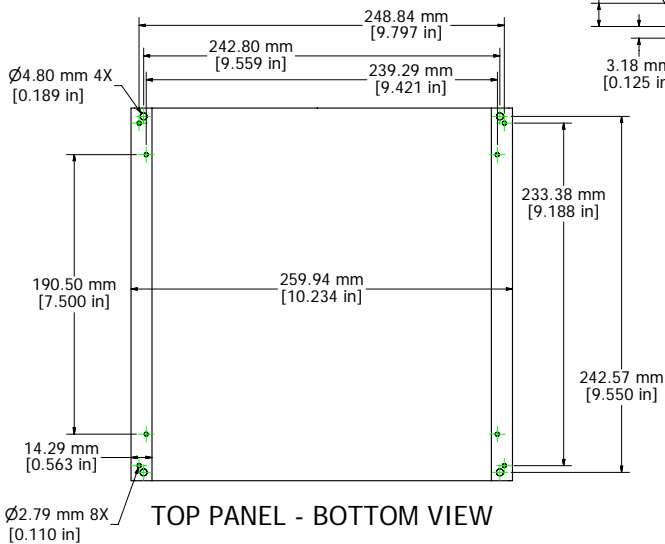
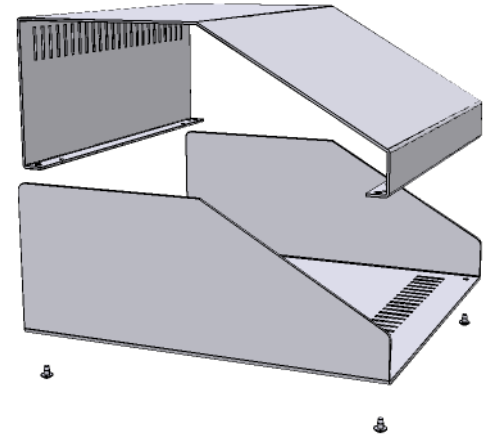
DETAIL A



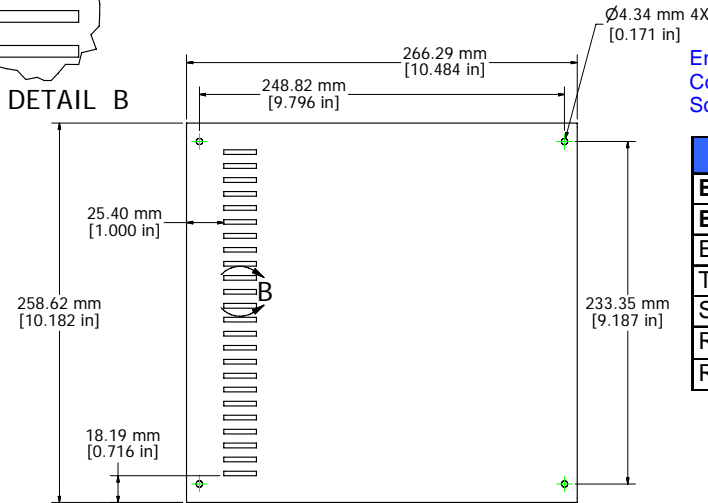
DETAIL B



ASSEMBLY - SIDE VIEW (OPEN)



TOP PANEL - BOTTOM VIEW



ENCLOSURE CASE - BOTTOM VIEW

Enclosures can be Factory Modified ( Milling, Drilling, Printing etc. )  
 Contact Factory [mjm@hammondmfg.com](mailto:mjm@hammondmfg.com) for quotes  
 Solid models of this enclosure available in STEP or IGES.

<b>1456KK4</b>
<b>Beige Top, Blue Case - 1456KK4WHBU</b>
<b>Black Top, Blue Case - 1456KK4BKBU</b>
Enclosure Case - 12 ga. Aluminum
Top Panel Sizes to 14" Wide - 14 ga. Aluminum
Self Adhesive Rubber Feet Included
Required Hardware Included
Replacement Screws - 1421-J6 (6 pcs.)



**HAMMOND  
 MANUFACTURING™**

**1456KK4**

[www.hammondmfg.com](http://www.hammondmfg.com)

# Mouser Electronics

Authorized Distributor

Click to View Pricing, Inventory, Delivery & Lifecycle Information:

Hammond:

[1456KK4BKBU](#) [1456KK4WHBU](#)