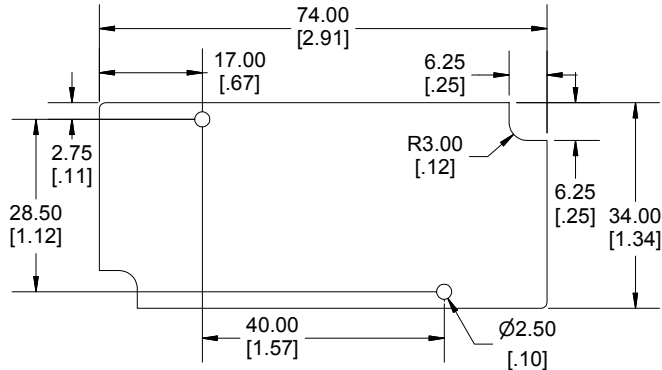
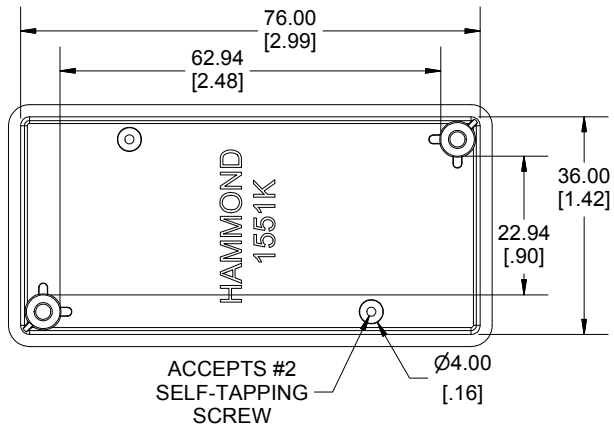


Enclosures can be Factory Modified (Milling, Drilling, Printing etc.)
 Contact Factory mjm@hammondmfg.com for quotes
 Solid models of this enclosure available in STEP or IGES.
 (Part number and text placement/orientation on our products are subject to change, we do not recommend using them as a locating reference for modification purposes)



NOTE		
Purchased assembly includes box, lid, 2 cover screws.		
Enclosure molded from general purpose ABS Plastic.		
Other materials / colours available consult factory.		
Recommended Torque : (35-43) Ozf.in / (25-30) cN.m		
PART NUMBERS		
1551KFL Enclosure		
Black Enclosure - Ral 9011 - UL94 - HB	1551KFLBK	
Gray Enclosure - RAL 7035 - UL94 - HB	1551KFLGY	
Tranlucent Blue - UL94 - HB	1551KFLTBU	
ACCESSORIES		
Black Cover Screws #4 X 1/2" Self-tapping	1591TS100BK (Pkg 100)	
Plated Cover Screws #4 X 1/2" Self-tapping	1591TS100 (Pkg 100)	
P.C. Board Screws	1551ATS50 (Pkg 50)	
#2 x 3/16" self-tapping (4.8mm)	1551ATS100 (Pkg 100)	

HAMMOND MANUFACTURING
1551KFL
www.hammondmfg.com

Dimensions:
 mm
 [inches]

Mouser Electronics

Authorized Distributor

Click to View Pricing, Inventory, Delivery & Lifecycle Information:

[Hammond:](#)

[1551KFLBK](#) [1551KFLGY](#)