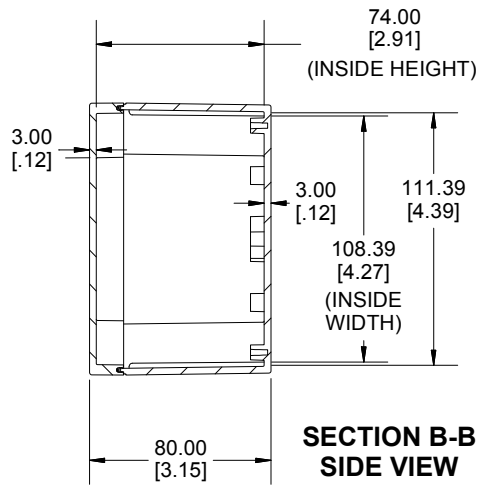
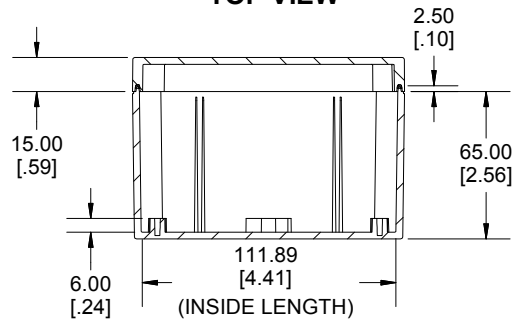
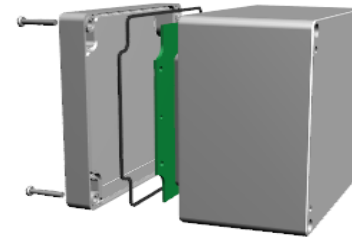


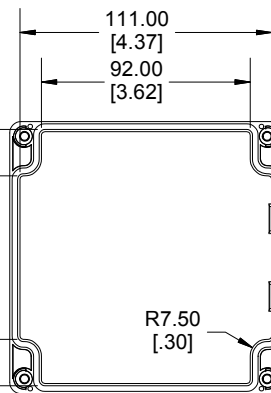
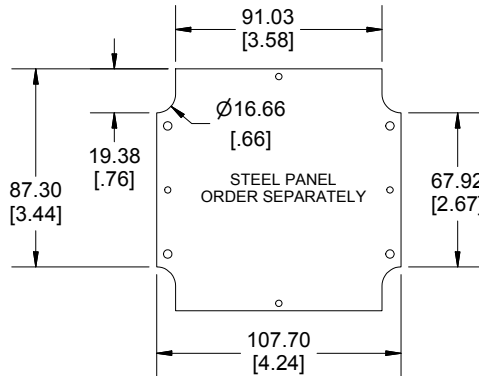
**TOP VIEW**



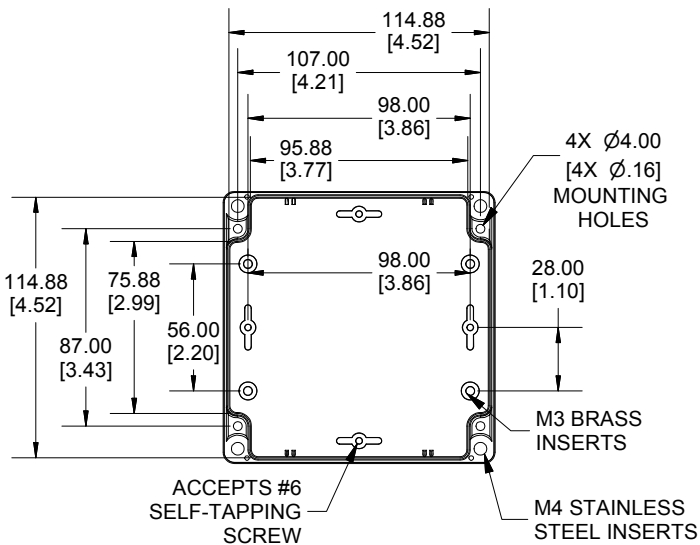
**SECTION B-B  
SIDE VIEW**



**SECTION A-A  
SIDE VIEW**



**INSIDE LID**



**INSIDE BOX**

Enclosures can be Factory Modified ( Milling, Drilling, Printing etc.)  
 Contact Factory [mjm@hammondmfg.com](mailto:mjm@hammondmfg.com) for quotes  
 Solid models of this enclosure available in STEP or IGES.  
 (Part number and text placement/orientation on our products are subject to change,  
 we do not recommend using them as a locating reference for modification purposes)

**NOTE**  
 Purchased assembly includes box, lid, 4 cover screws, and preformed silicone gasket.  
 General Purpose ABS version is not UL approved. (Matl UL94 - HB)  
 Polycarbonate version is UL 508 approved. (Matl UL94 - 5VA @ 3mm)  
**Recommended Cover screw torque -- 2.5 lbf-in (30 cN-m)**

1554P	
<b>1554P Regular Enclosure</b>	
General Purpose ABS RAL-7035	1554PGY
Polycarbonate RAL-7035	1554P2GY
<b>1554P Clear / Smoke Lid Enclosure</b>	
Polycarbonate Box / Clear Polycarbonate Lid	1554P2GYCL
Polycarbonate Box / Smoke Polycarbonate Lid	1554P2GYSL
<b>ACCESSORIES</b>	
Steel Inner Panels	1554NPL
Steel Panel / P.C. Board Machine Screw [M3 x 8mm Plated]	1591MM100
Steel Panel / P.C. Board Self Tapping Screw [#6 X 1/4" (6.4mm) Plated]	1598ATS100
Cover Screws (Pkg 4) [M4 X 20mm Stainless Steel]	SC1554
Silicone Pre-formed Gasket Black	1554NGASKET

**HAMMOND  
MANUFACTURING®**

**1554P**

[www.hammondmfg.com](http://www.hammondmfg.com)

**Dimensions:**  
 mm  
 [inches]

# Mouser Electronics

Authorized Distributor

Click to View Pricing, Inventory, Delivery & Lifecycle Information:

[Hammond:](#)

[1554P2GYCL](#) [1554P2GY](#) [1554PGY](#) [1554P2GYSL](#)