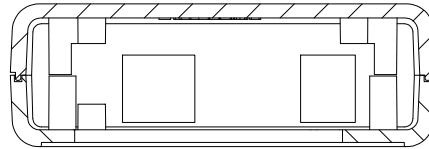
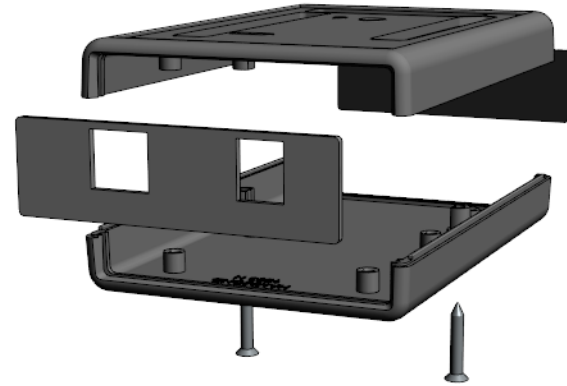
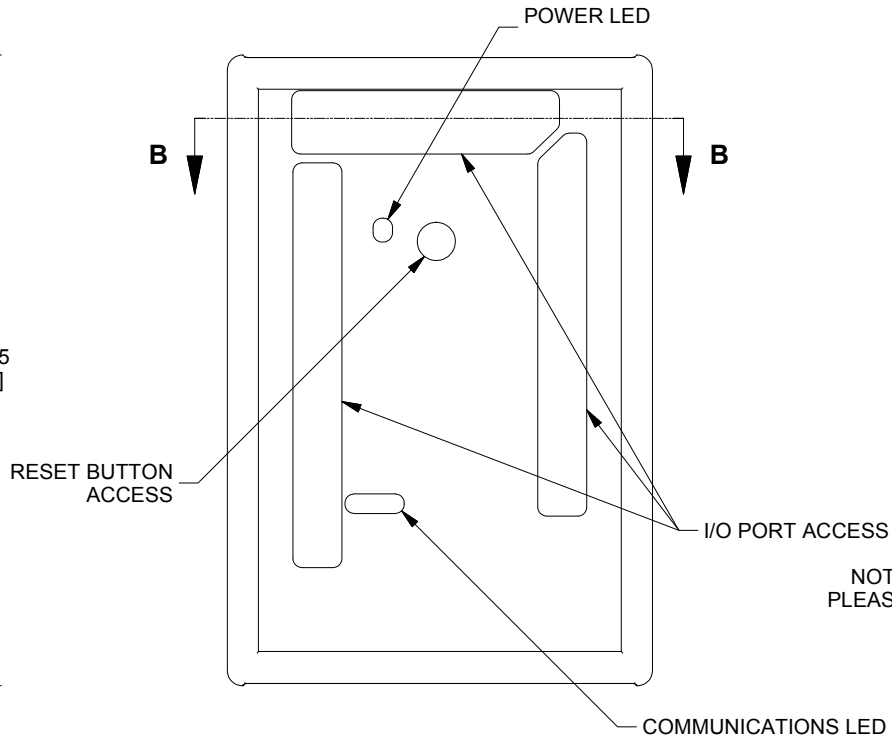
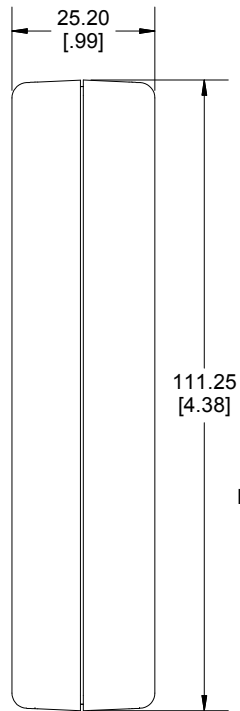


Enclosures can be Factory Modified ( Milling, Drilling, Printing etc.)  
 Contact Factory [mjm@hammondmfg.com](mailto:mjm@hammondmfg.com) for quotes



**SECTION B-B**

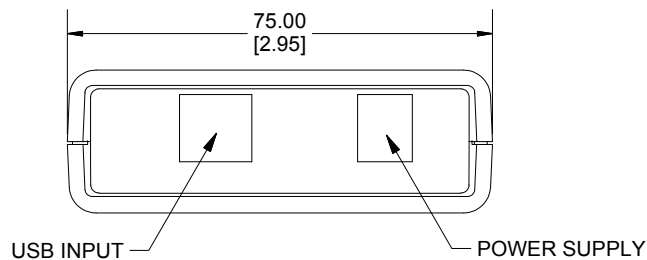


NOTE: 1593MEG ENCLOSURE IS BASED ON HAMMOND STANDARD 1593N  
 PLEASE SEE 1593N DRAWING FOR STANDARD ENCLOSURE SPECIFICATIONS

**NOTE**

Purchased assembly includes top and bottom cover, front and rear end panels, 2 cover screws, and 1 black rubber foot (P.C. Board not included)  
 Enclosure molded from ABS Plastic.

**ASSEMBLY - VIEW FROM TOP SIDE**



PART NUMBERS	
1593HAMMEG Enclosure	
Black Enclosure	1593HAMMEGBK
Grey Enclosure	1593HAMMEGGY
Translucent Blue Enclosure	1593HAMMEGTBU



**HAMMOND  
 MANUFACTURING™**  
**1593HAMMEG**  
[www.hammondmfg.com](http://www.hammondmfg.com)

Dimensions:  
 mm  
 [inches]

# Mouser Electronics

Authorized Distributor

Click to View Pricing, Inventory, Delivery & Lifecycle Information:

[Hammond:](#)

[1593HAMMEGAGY](#) [1593HAMMEGABK](#) [1593HAMMEGATBU](#)