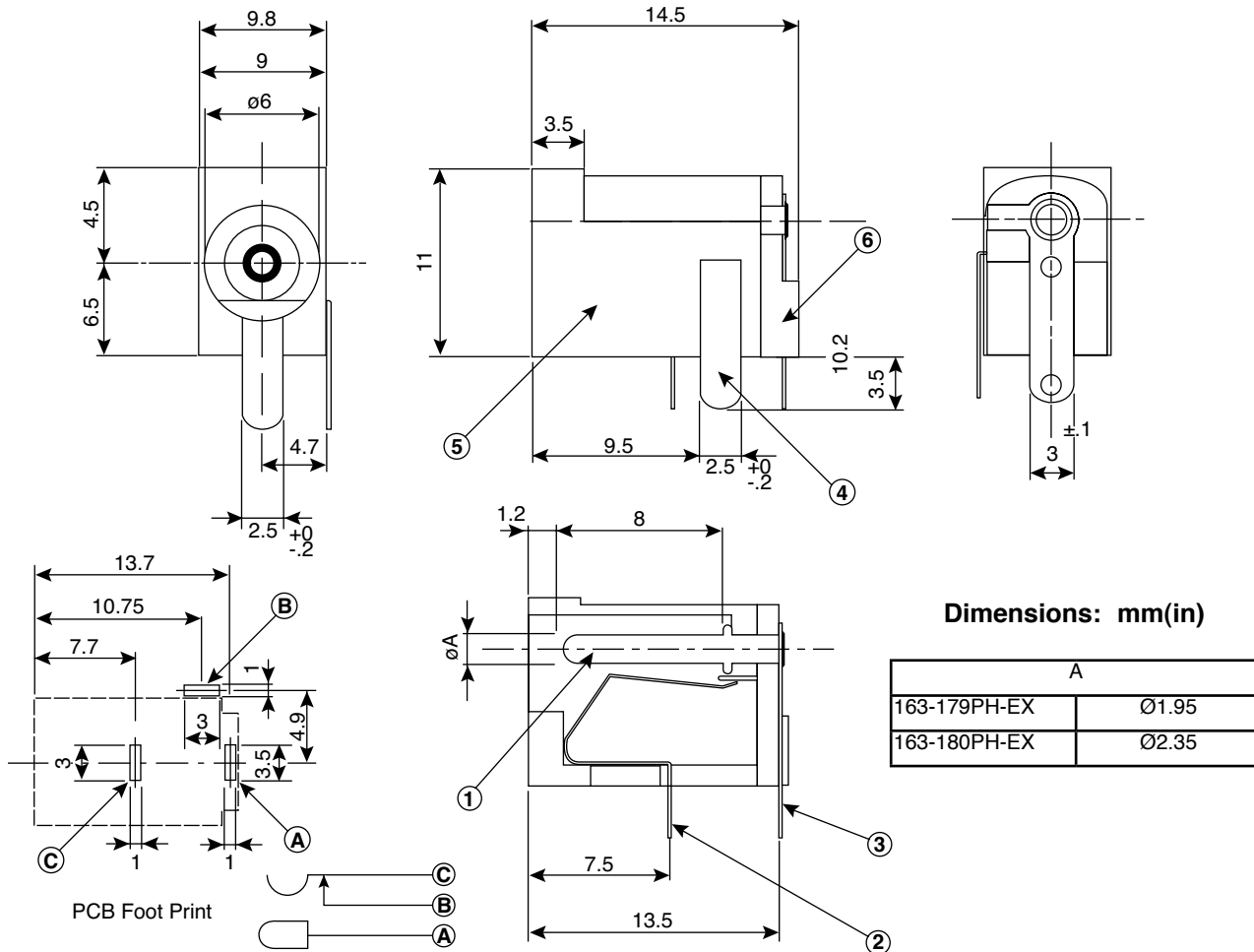


# PC Mount DC Power Jacks

163-179PH-EX, 163-180PH-EX



PC Mount DC Power Jacks



MATERIAL SPECIFICATIONS				
ITEM	Part Name	Material	QTY	Finish
1	Center Pin	Brass	1	Ni
2	Terminal (S)	PBS t=0.25	1	Sn
3	Terminal (J)	Brass t=0.4	1	Sn
4	Terminal (B)	Brass t=0.4	1	Sn
5	Housing	PBT G15%	1	-----
6	Insulator	PBT G15%	1	-----
RoHS Compliant				

Date Last Revised: 06/14/12

Available from Mouser Electronics  
1-800-346-6873 / www.mouser.com

KC-301287

Specifications are subject to change without notice. No liability or warranty implied by this information. Environmental compliance based on producer documentation.

163-179PH-EX, 163-180PH-EX

# Mouser Electronics

Authorized Distributor

Click to View Pricing, Inventory, Delivery & Lifecycle Information:

[Kobiconn:](#)

[163-180PH-EX](#) [163-179PH-EX](#)