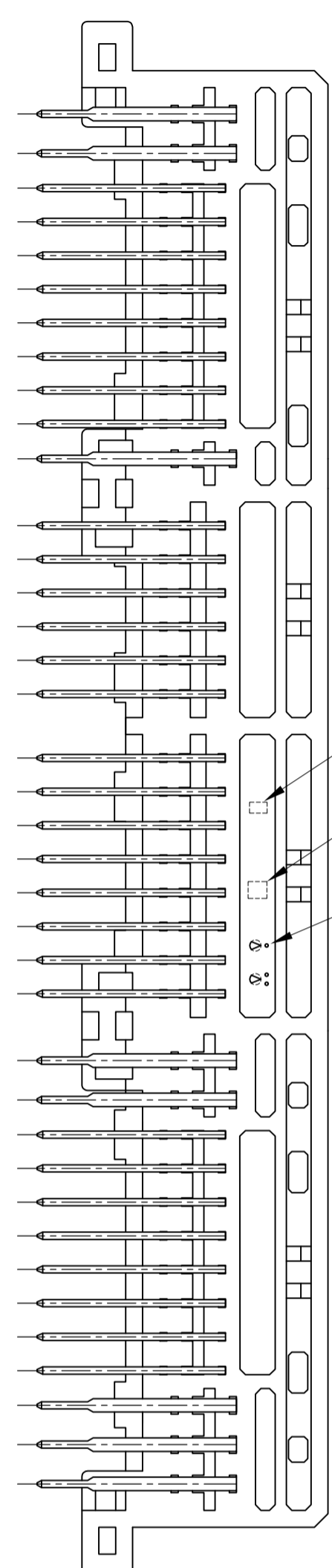
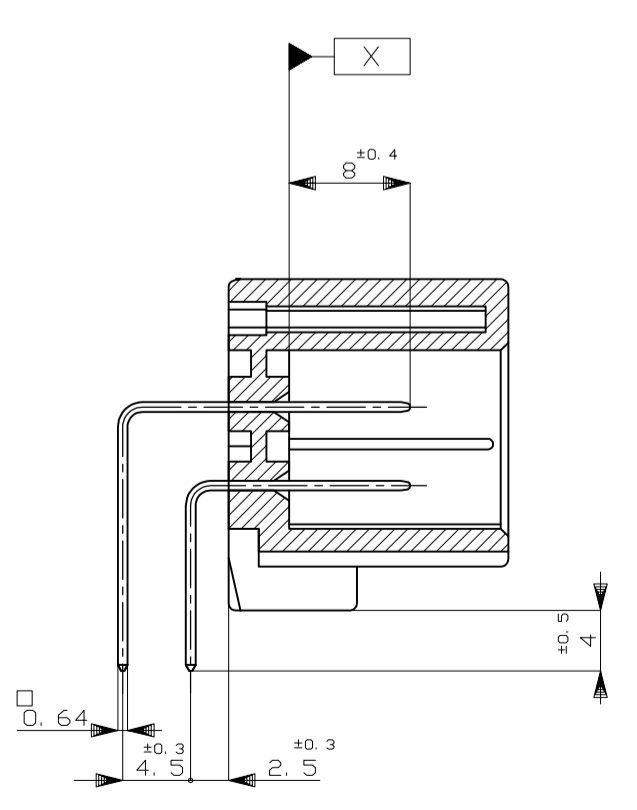
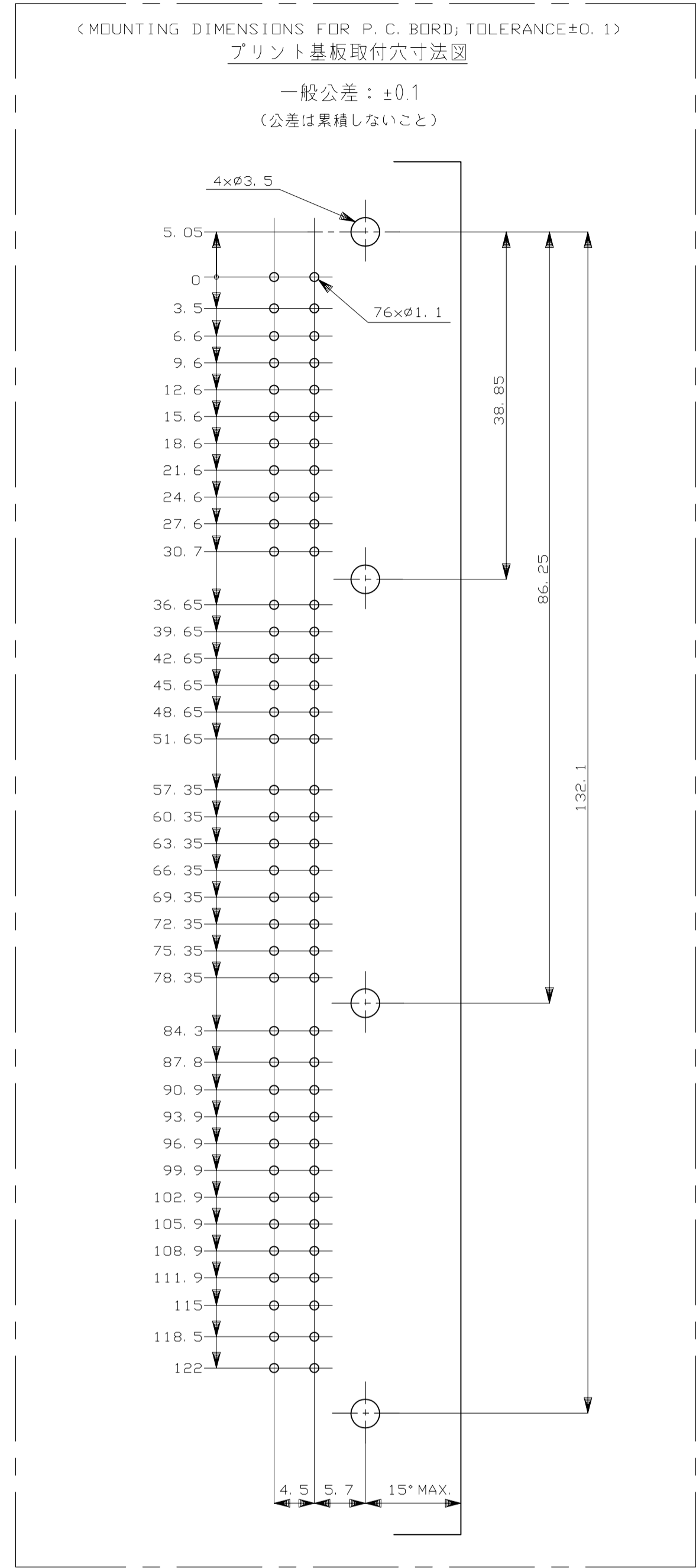
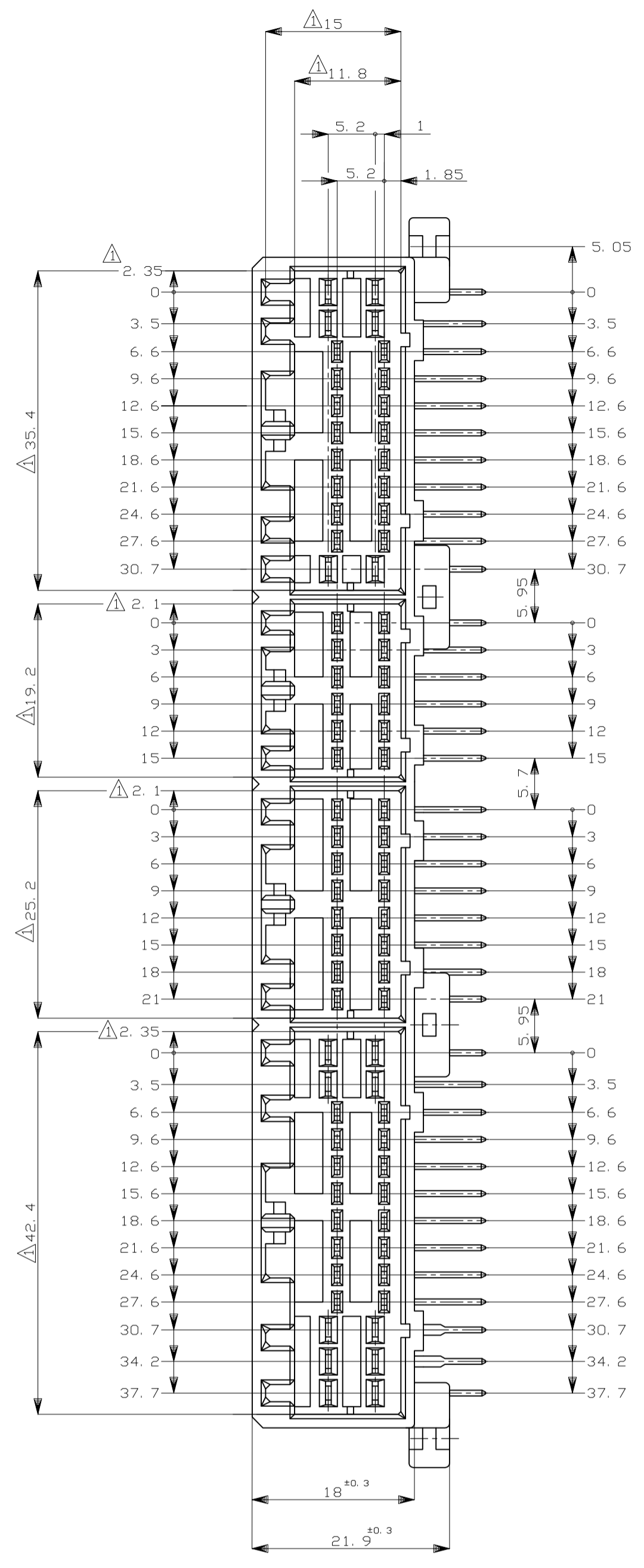
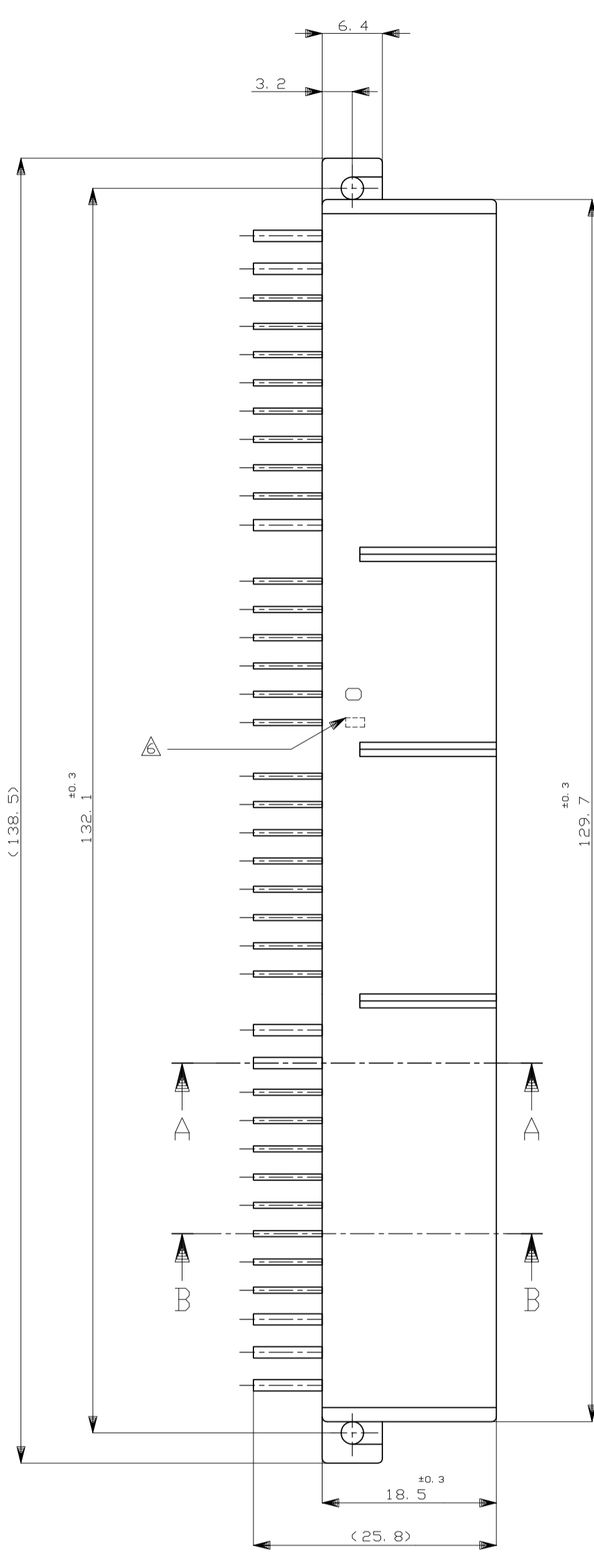


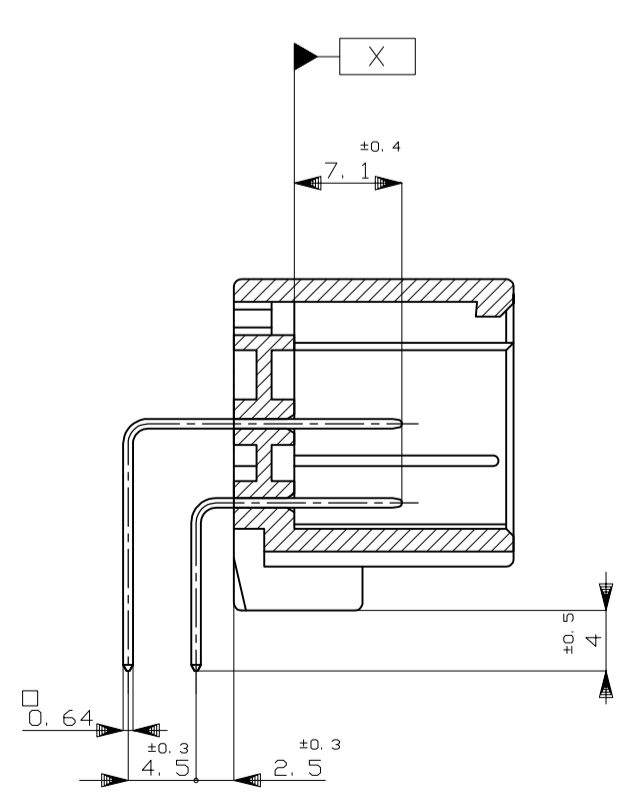
REVISIONS					
REV	DATE	DESCRIPTION	BY	CHK	APPV
H6	05SEP2016	REVISD	KF	HY	



CAVITY MARK
LOGO MARK
MONTHLY CODE



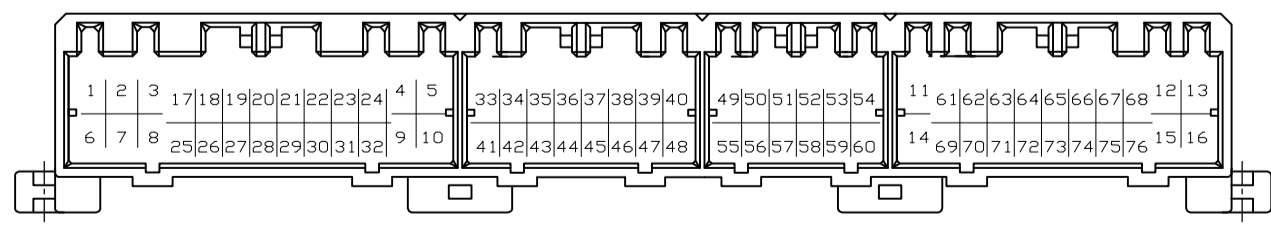
A-A



B-B

- △ MUST BE KEPT BETWEEN [X] AND 2
- 2. THE MATING PLUG HSG. PART NUMBER:
174516, 174515, 174514, 174913, 917992, 917989, 917981, 917975
- 3. RECOMMENDED MOUNTING SCREW: 3mm DIA, 6mm LENGTH (MAX.)
PAN HEAD, CLASS 2 TAPPING SCREW SPECIFIED IN JIS B1115, B1122
(TIGHTENING TORQUE: 4kg-cm MAX.)
- △ APPLICABLE PRODUCT SPEC NO.: 108-5280, 108-5342
- △ CIRCUIT NUMBER
POWER CIRCUIT NO. ① ~ ⑩
SIGNAL CIRCUIT NO. ⑪ ~ ⑰
- △ INDICATED PREFIX AND ID MARK OF PRODUCT P/N BY COLOR HOT MARK
(APPLICABLE 0-174915-6 [0], 2-174915-7 [2])
(3-174915-6 [3], 4-174915-1 [4], 5-174915-7 [5])

- △ [X] 面から 2mm の範囲で測定
- 2. 嵌合相手 ハウジング型番 174516, 174515, 174514, 174913, 917992, 917989, 917981, 917975
- 3. 推奨取付ねじ: JIS B1115, B1122 タンピンねじ, なべ2種
呼び径 3, 長さ 6mm 以下 (締付けトルク: 4kg-cm 以下)
- 4. 適用製品規格番号: 108-5280, 108-5342
- △ 回路番号:
パワー回路 ① ~ ⑩
シグナル回路 ⑪ ~ ⑰
- △ 適用製品型番のプリフィックス及びIDマークを
カラーネットマークにて表示
(適用製品型番 0-174915-6 [0], 2-174915-7 [2])
(3-174915-6 [3], 4-174915-1 [4], 5-174915-7 [5])



MARKING	CONTACT FINISH	CONTACT SIDE	POWER CIRCUIT NO.	SIGNAL CIRCUIT NO.	HOUSING COLOR	PART NUMBER
54	SELECTIVE-TIN (MATTE)	SELECTIVE GOLD × 9	-	-	NATURAL	4-5174915-1
56	SELECTIVE-TIN (MATTE)	PRE-TIN × 67	-	13, 16, 69~75	GRAY	6-5174915-6
53	SELECTIVE-TIN (MATTE)	SELECTIVE GOLD × 3	12, 13, 14	-	GRAY	3-5174915-6
57	SELECTIVE-TIN (MATTE)	PRE-TIN × 73	-	49~54, 61~68	GRAY	2-5174915-7
52	SELECTIVE-TIN (MATTE)	SELECTIVE GOLD × 14	-	33~40, 49~54, 61~68	YELLOW	5-5174915-7
55	SELECTIVE-TIN (MATTE)	SELECTIVE GOLD × 22	-	17~76	NATURAL	4-174915-1
5	TIN-LEAD	PRE-TIN × 16	-	17~76	YELLOW	2-174915-7
4	TIN-LEAD	SELECTIVE GOLD × 60	-	-	GRAY	174915-6
4	TIN-LEAD	PRE-TIN × 16	-	13, 16, 69~75	NATURAL	4-174915-1
2	TIN-LEAD	PRE-TIN × 61	-	13, 16, 69~75	YELLOW	4-174915-1
2	TIN-LEAD	SELECTIVE GOLD × 9	-	33~40, 49~54, 61~68	YELLOW	2-174915-7
2	TIN-LEAD	SELECTIVE GOLD × 22	-	33~40, 49~54, 61~68	YELLOW	2-174915-7
0	TIN-LEAD	PRE-TIN × 54	-	-	GRAY	174915-6
0	TIN-LEAD	PRE-TINNED × 76	-	-	GRAY	174915-6

THIS DRAWING IS A CONTROLLED DOCUMENT.

DMN: S.FUJITA 17NOV08
CHK: K.BETSUJI 17NOV08
APPV: K.BETSUJI 17NOV08

TE Connectivity

76POSITION CAP HOUSING ASSY
040/070 SERIES HYBRID I/O CONNECTOR

SIZE: A1 CAGE CODE: 00779 DRAWING NO: 174915

WEIGHT: 37 g

CUSTOMER DRAWING

SCALE: 2:1 SHEET: 1 OF 1 REV: H6

Mouser Electronics

Authorized Distributor

Click to View Pricing, Inventory, Delivery & Lifecycle Information:

[TE Connectivity:](#)

[174915-6](#)