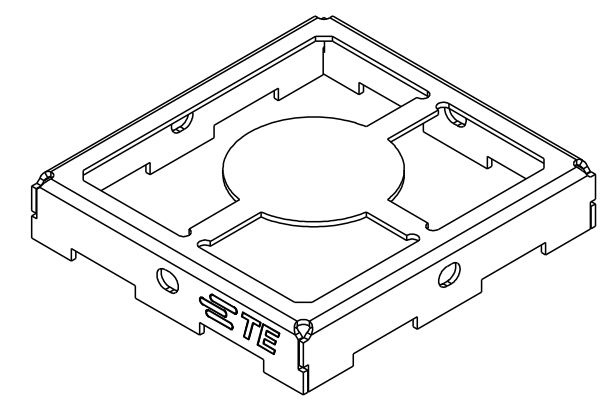
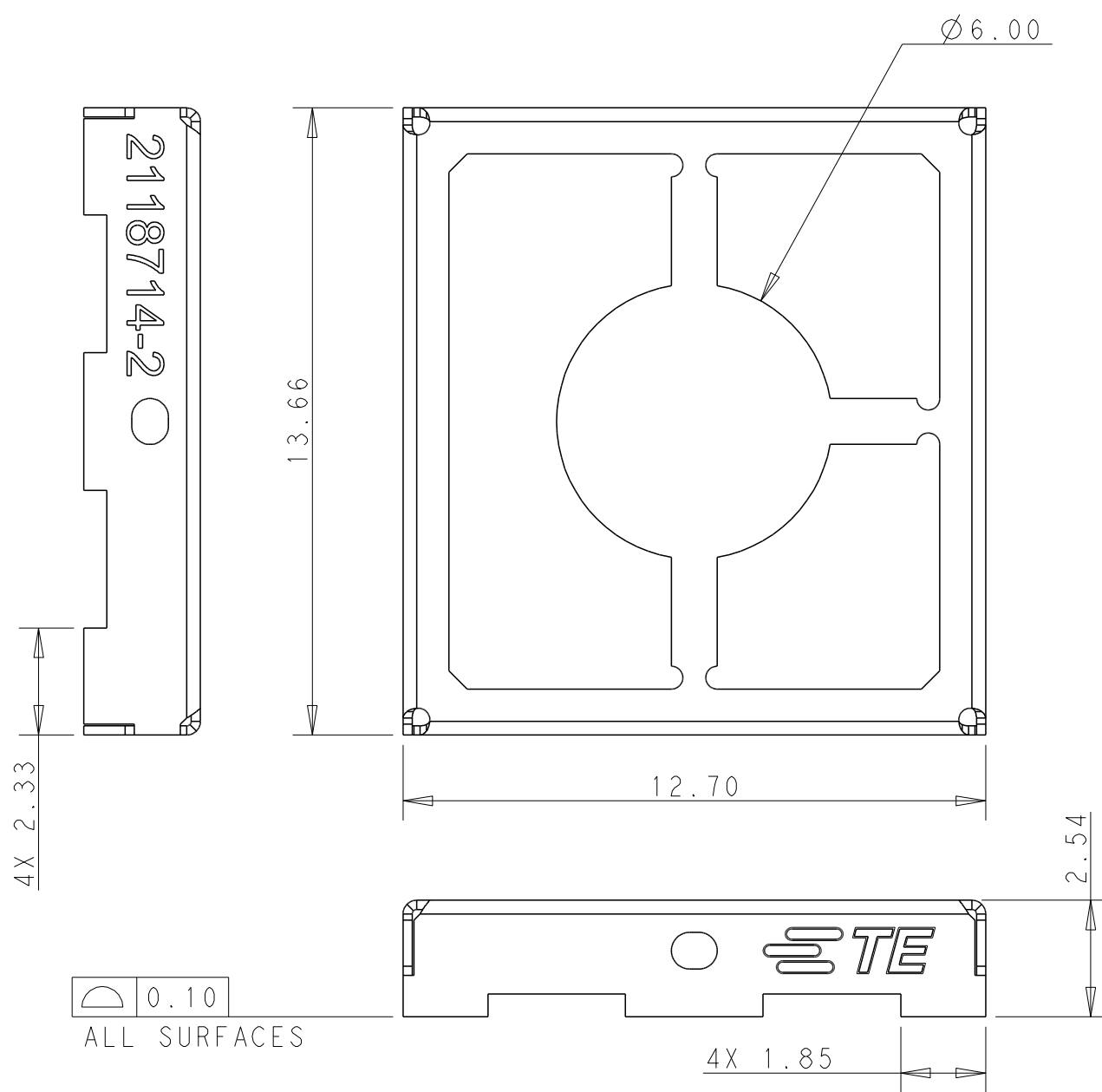


THIS DRAWING IS UNPUBLISHED. RELEASED FOR PUBLICATION 20
 © COPYRIGHT 20 BY - ALL RIGHTS RESERVED.

REVISIONS					
P	LTR	DESCRIPTION	DATE	DWN	APVD
1		INITIAL CONCEPT	07APR2016	VL	
A		DRAWING RELEASED	20APR2017	VL	SS
A1		REVISED PER ECO-17-007644	26MAY2017	VL	SS
A2		REVISED PER ECO-17-013857	20SEP2017	SS	HL



SCALE 4:1

NOTES:

- 1 MATERIAL: 0.20mm CRS. 1,25 - 3.00µm MATTE TIN FINISH.
- 2 STAMPING BURR OUTSIDE OF PART, MAX 0.05mm.
- 3 PARTS TO BE FREE OF OIL AND CONTAMINENTS.
- 4 PART IS RoHS COMPLIANT PER TE CONNECTIVITY STANDARD TEC-138-702.
- 5 REFER TO 3D MODEL FOR UNSPECIFIED DIMENSIONS.
- 6 PACKAGING: TAPE AND REEL

6	2118714-2
PACKAGING	PART NUMBER

THIS DRAWING IS A CONTROLLED DOCUMENT.		DWN V. LAC 06APR2016	STE TE Connectivity			
DIMENSIONS: mm		CHK S. SU 20APR2017				
TOLERANCES UNLESS OTHERWISE SPECIFIED:		APVD V. LAC 20APR2017	NAME STANDARD SHIELD FRAME			
0 PLC ±0.20		PRODUCT SPEC 108-19493				
1 PLC ±0.15		APPLICATION SPEC 114-115014	SIZE A3	CAGE CODE -	DRAWING NO. C-2118714	RESTRICTED TO -
2 PLC ±0.10		WEIGHT -	CUSTOMER DRAWING			
3 PLC ±		SCALE 7:1				
4 PLC ±		SHEET 1 OF 3				
4 PLC ANGLES ±2		REV A2				
MATERIAL 1	FINISH 1					

THIS DRAWING IS UNPUBLISHED.

RELEASED FOR PUBLICATION

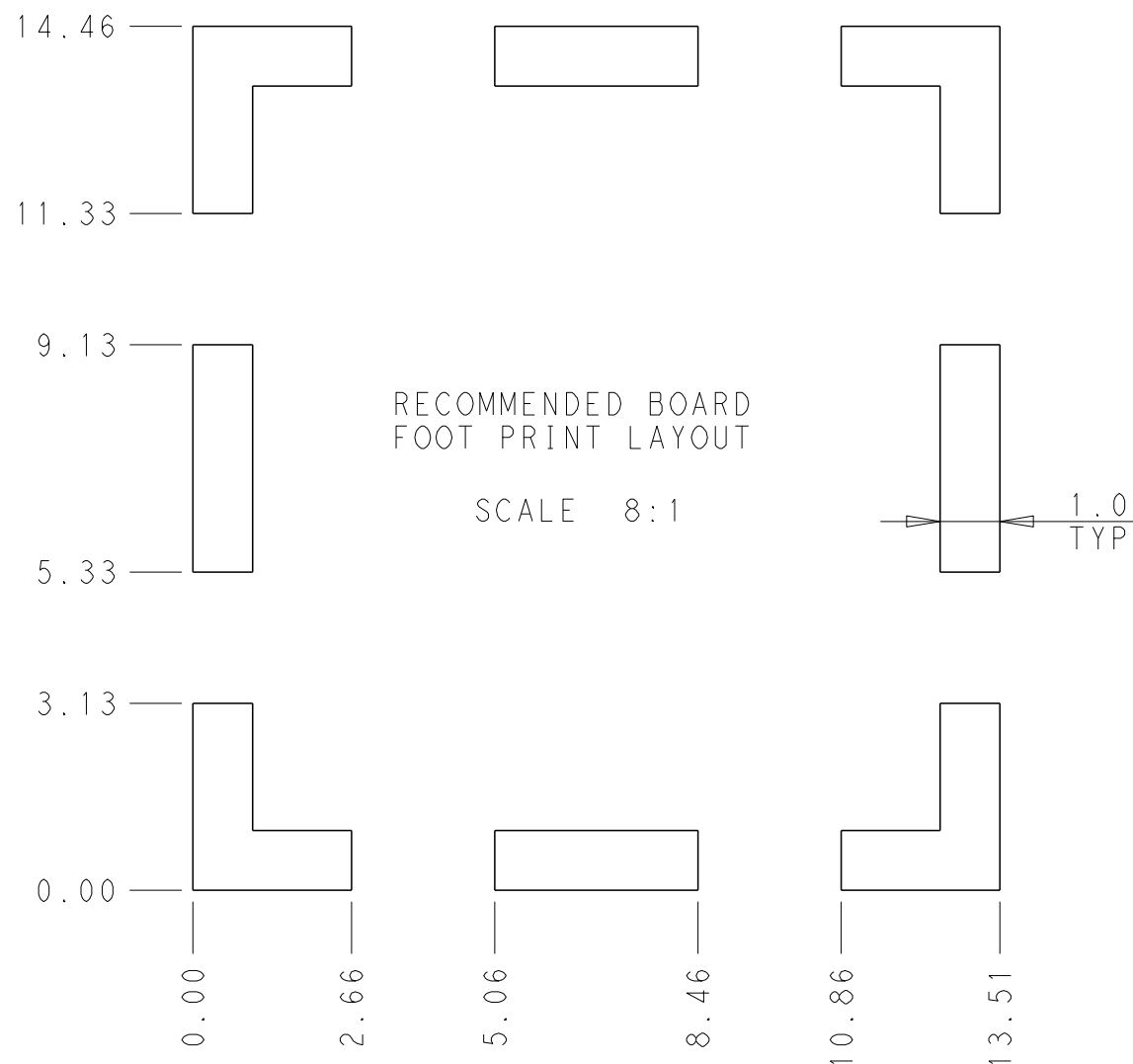
20

© COPYRIGHT 20 BY -

ALL RIGHTS RESERVED.

REVISIONS

P	LTR	DESCRIPTION	DATE	DWN	APVD
-	-	SEE SHEET 1	-	-	-

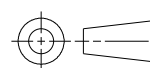


NOTES:

7. STENCIL THICKNESS: 0.10mm MIN.

THIS DRAWING IS A CONTROLLED DOCUMENT.

DIMENSIONS:
mm



TOLERANCES UNLESS OTHERWISE SPECIFIED:

- 0 PLC ±0.20
- 1 PLC ±0.15
- 2 PLC ±0.10
- 3 PLC ±
- 4 PLC ±
- ANGLES ±2

MATERIAL

FINISH

DWN V. LAC 06APR2016

CHK S. SU 20APR2017

APVD V. LAC 20APR2017

PRODUCT SPEC

108-19493

APPLICATION SPEC

114-115014

WEIGHT

-

NAME

STANDARD SHIELD FRAME

SIZE

A3

CAGE CODE

-

DRAWING NO

©-2118714

RESTRICTED TO

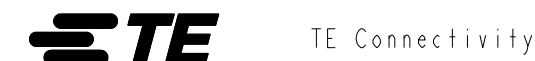
-

CUSTOMER DRAWING

SCALE 6:1

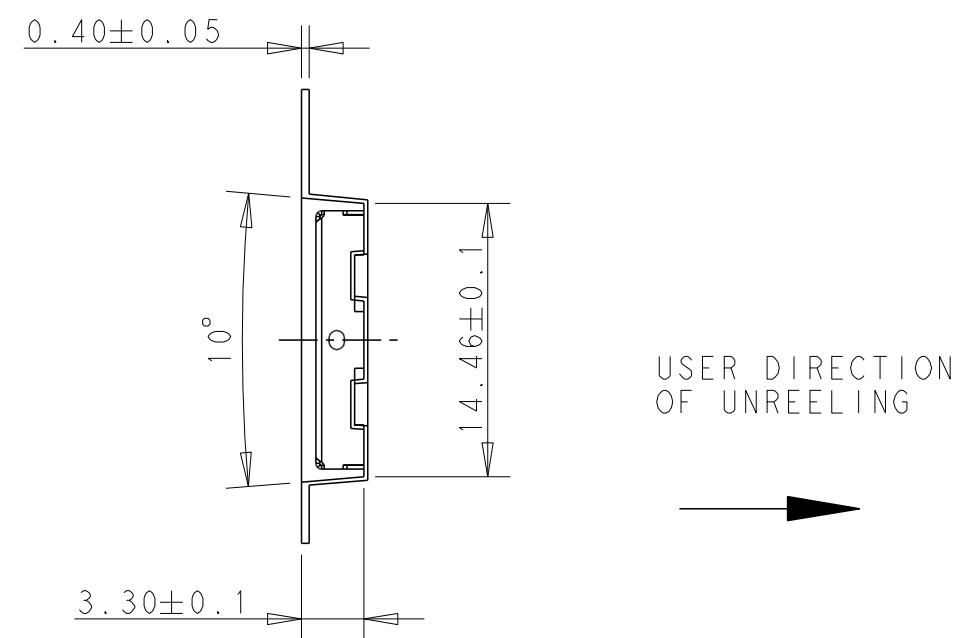
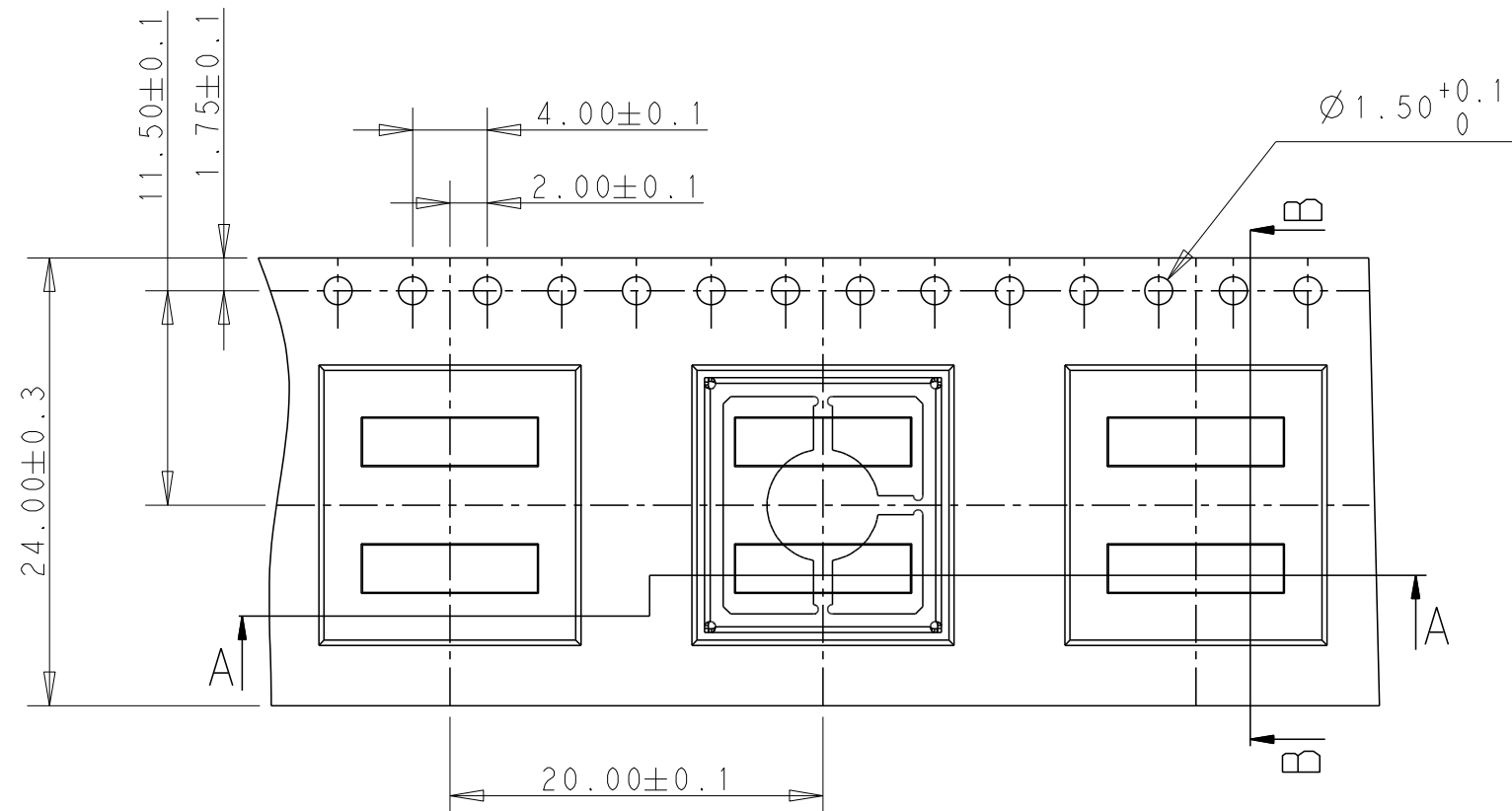
SHEET 2 OF 3

REV A2



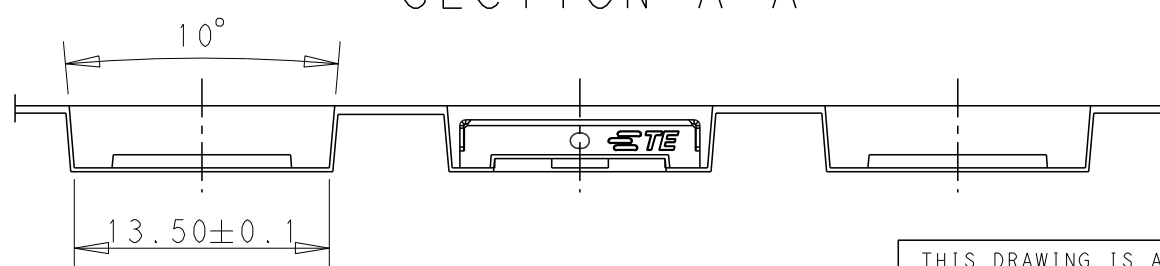
REVISIONS

P	LTR	DESCRIPTION	DATE	DWN	APVD
-	-	SEE SHEET 1	-	-	-



SECTION B-B

SECTION A-A



NOTES:

- 8. REEL SIZE: O.D. 330mm, I.D. 100mm
- 9. QTY PER REEL: 900PCS

THIS DRAWING IS A CONTROLLED DOCUMENT.

DIMENSIONS:		TOLERANCES UNLESS OTHERWISE SPECIFIED:	
mm		0 PLC	± 0.20
		1 PLC	± 0.15
		2 PLC	± 0.10
		3 PLC	\pm
		4 PLC	\pm
MATERIAL		FINISH	
-		-	

DWN	V. LAC	06APR2016
CHK	S. SU	20APR2017
APVD	V. LAC	20APR2017
PRODUCT SPEC	108-19493	
APPLICATION SPEC	114-115014	
WEIGHT	-	
CUSTOMER DRAWING		

		TE Connectivity	
		NAME STANDARD SHIELD FRAME	
SIZE	CAGE CODE	DRAWING NO	RESTRICTED TO
A3	-	C-2118714	-
SCALE		SHEET	REV
7:1		3 OF 3	A2

Mouser Electronics

Authorized Distributor

Click to View Pricing, Inventory, Delivery & Lifecycle Information:

[TE Connectivity:](#)

[2118714-2](#)