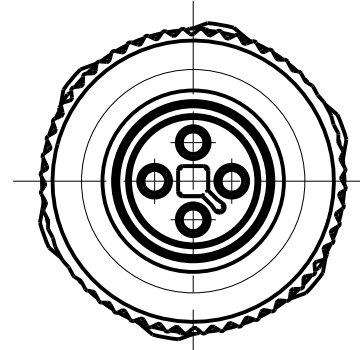
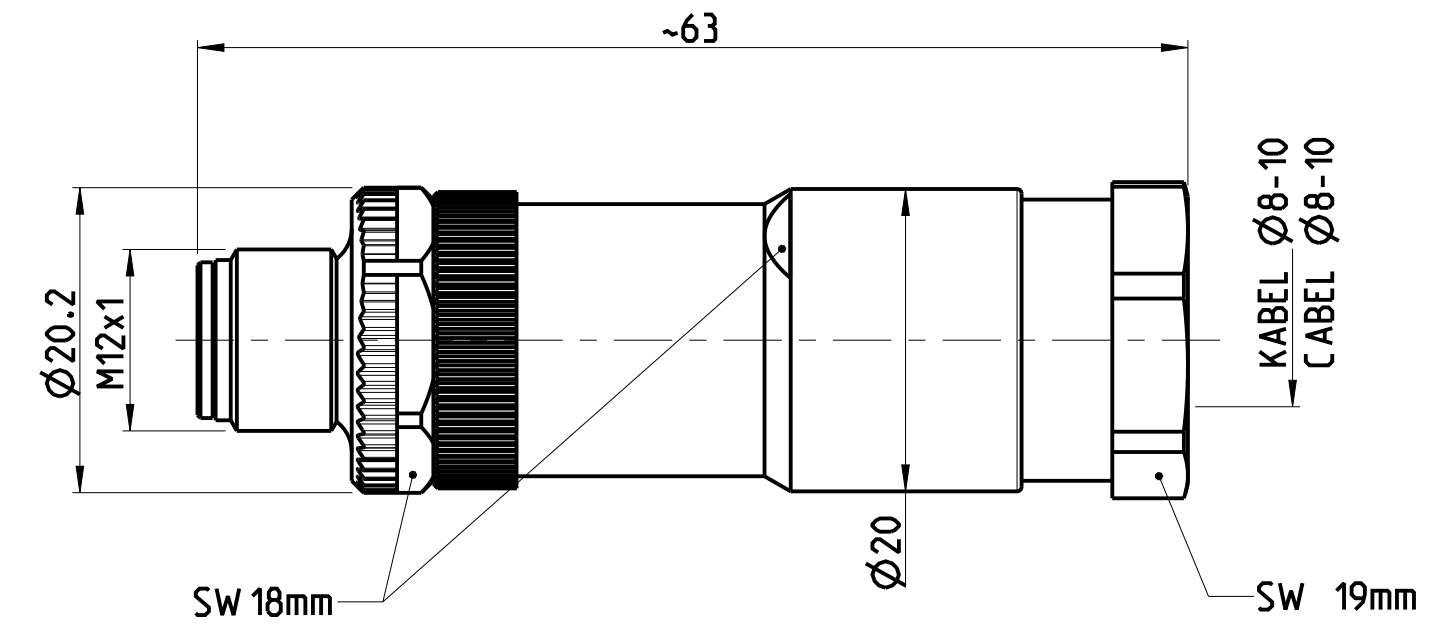
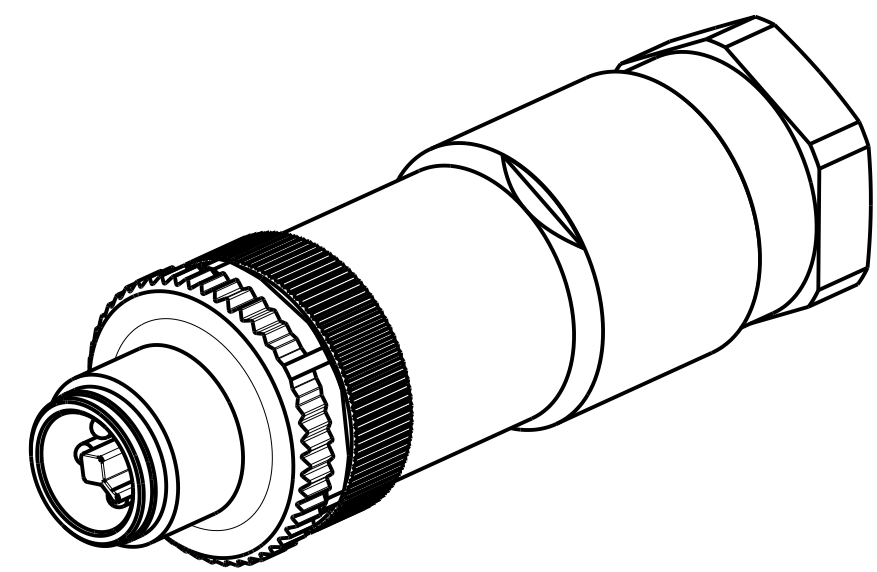


REVISIONS		DATE	DWN	APVD
ÄNDERUNGEN				
P	LTR	DESCRIPTION		
		BESCHREIBUNG		
A1		NEW DRAWING	24 JUN2014	YR CS

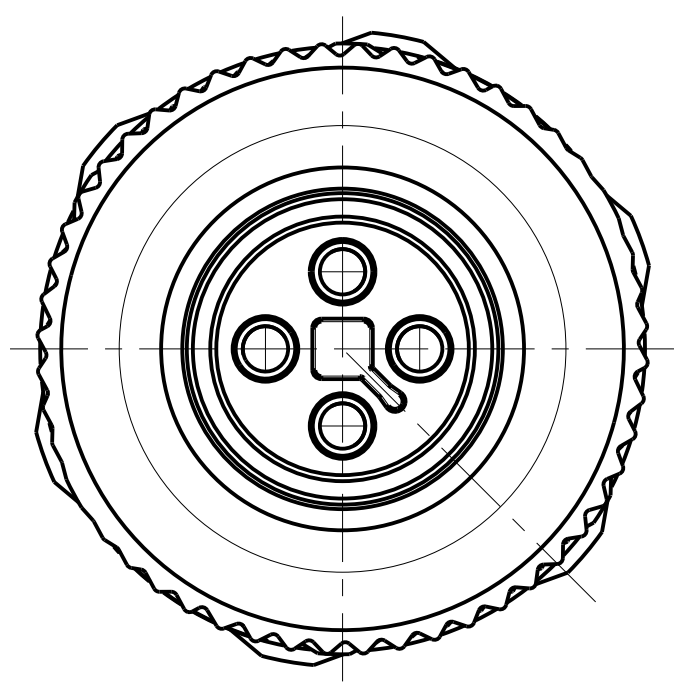
- 1 MATERIAL: ITEM NO. 1: HOUSING - PA
 ITEM NO. 2: CONTACT BODY - PA
 ITEM NO. 3: CONTACT - CuZn (brass)
 CONTACT FINISH - Au (gold)

- 2 ALL DIMENSIONS ARE FOR NOMINAL REFERENCE ONLY UNLESS OTHERWISE STATED
 3 MEASUREMENT REFERENCE ONLY
 4 PACKAGING: 1 PIECE IN A BAG



PIN ARRANGEMENT
T-CODING (SCALE 4:1)

0-2120949-1



TECHNICAL DATA		0-2120949-1
RATED VOLTAGE	60V	
RATED IMPULSE VOLTAGE	1500V	
POLLUTION DEGREE	3	
OVERVOLTAGE CATEGORY	III	
MATERIAL GROUP	III	
RATED CURRENT	12A	
VOLUME RESISTIVITY	≤ 3mΩ	
DEGREE OF PROTECTION	IP67	
UPPER TEMPERATURE	+85 °C	
LOWER TEMPERATURE	-40 °C	

8-10	16 / 1.50	⚠	4	0-2120949-1
CABLE FEED-THROUGH mm	WIRES AWG / mm²	MATERIAL	NUMBER OF POLES	TE-PART-NO.

DIESE ZEICHNUNG IST EIN KONTROLLIERTES DOKUMENT. BEMASSUNGEN UND TOLERANZEN GEMAESS GPS (ISO STANDARDS).

THIS DRAWING IS A CONTROLLED DOCUMENT. DIMENSIONING AND TOLERANCING PER GPS (ISO STANDARDS).

DIMENSIONS: MASSE/WEITEN: (MM)	TOLERANCES UNLESS OTHERWISE SPECIFIED: ALLGEMEINTOLERANZEN	DWN YASHKUMAR 24 JUN2014
		CHK M.STRELOW 24 JUN2014
		APVD C.SCHREITLINGER 24 JUN2014
		NAME
		PRODUCT SPEC
		APPLICATION SPEC
		VERARBEITUNGSSPEZ.
MATERIAL	ANGLES/WINKEL	WEIGHT GEWICHT
	FINISH/OBERFLÄCHE/FARBE	

Customer Drawing

STE TE Connectivity

M12 MALE CONNECTOR, STRAIGHT, FIELD INSTALLABLE, POWER, T-CODED

SIZE	CAGE CODE	DRAWING NO. ZEICHNUNGS-NR.	RESTRICTED TO MUR FÜR
A2	00779	0-2120949	-
SCALE MASSSTAB	SHEET BLATT	OF VON	REV
2:1	1	1	A1

SIZE ISO 14405 (E)

Mouser Electronics

Authorized Distributor

Click to View Pricing, Inventory, Delivery & Lifecycle Information:

[TE Connectivity:](#)

[2120949-1](#)