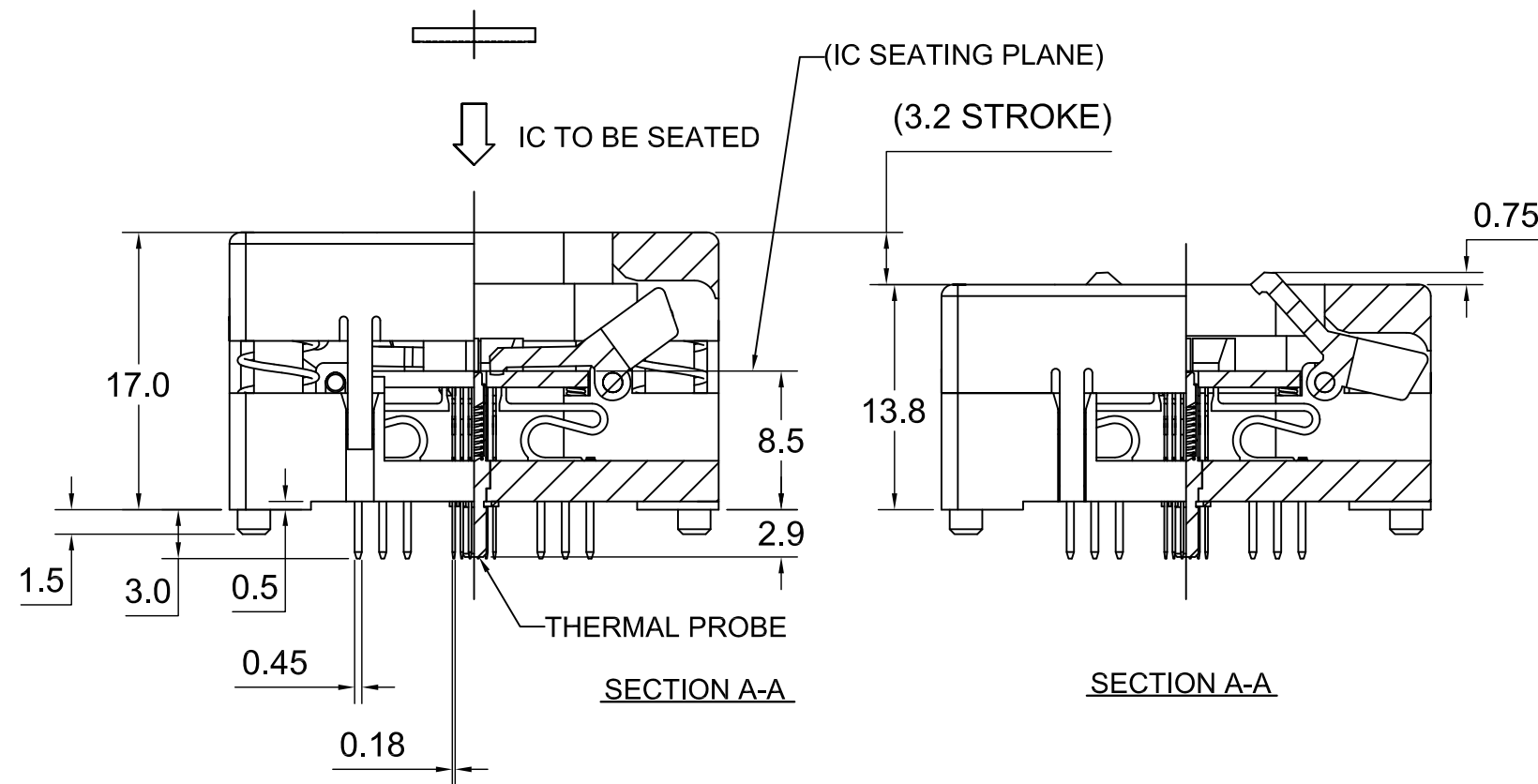
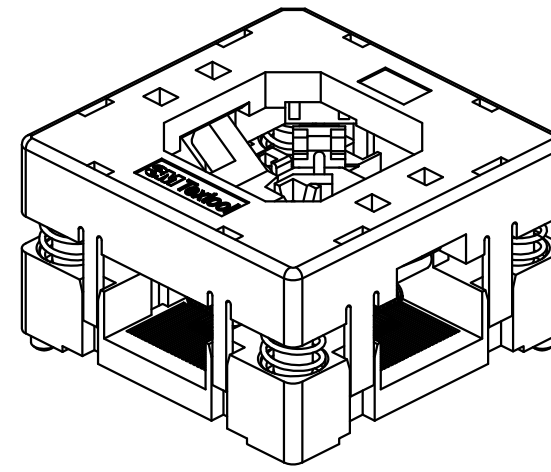
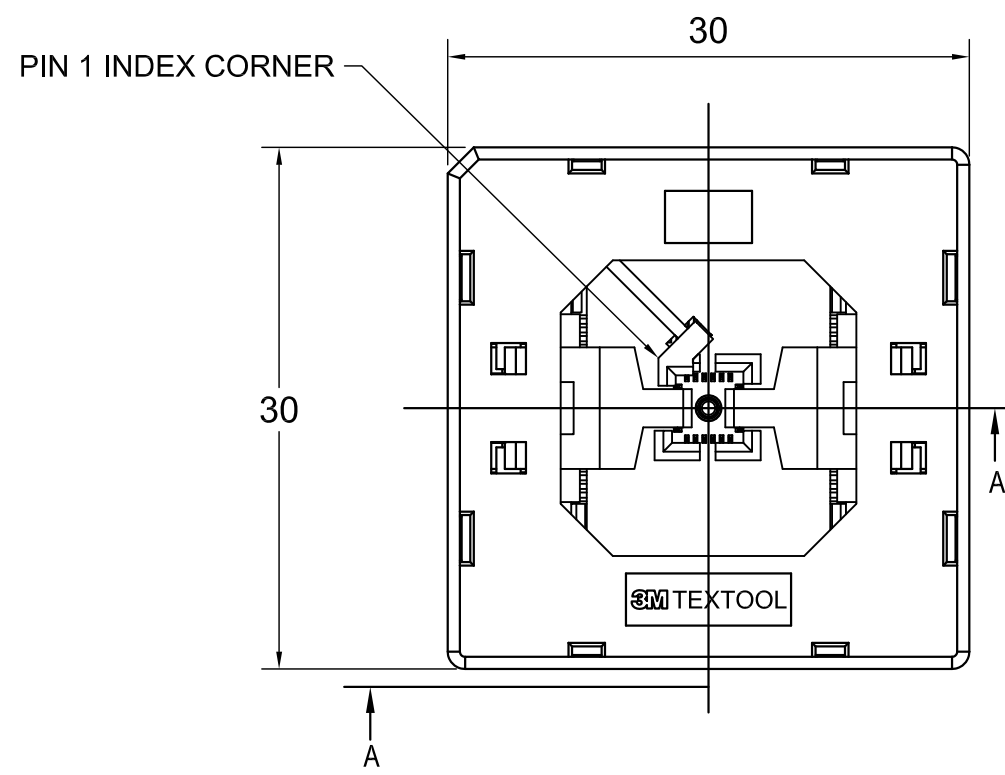


# 3M™ TEXTTOOL™ QFN TEST AND BURN-IN SOCKET



## NOTES:

### 1. MATERIALS:

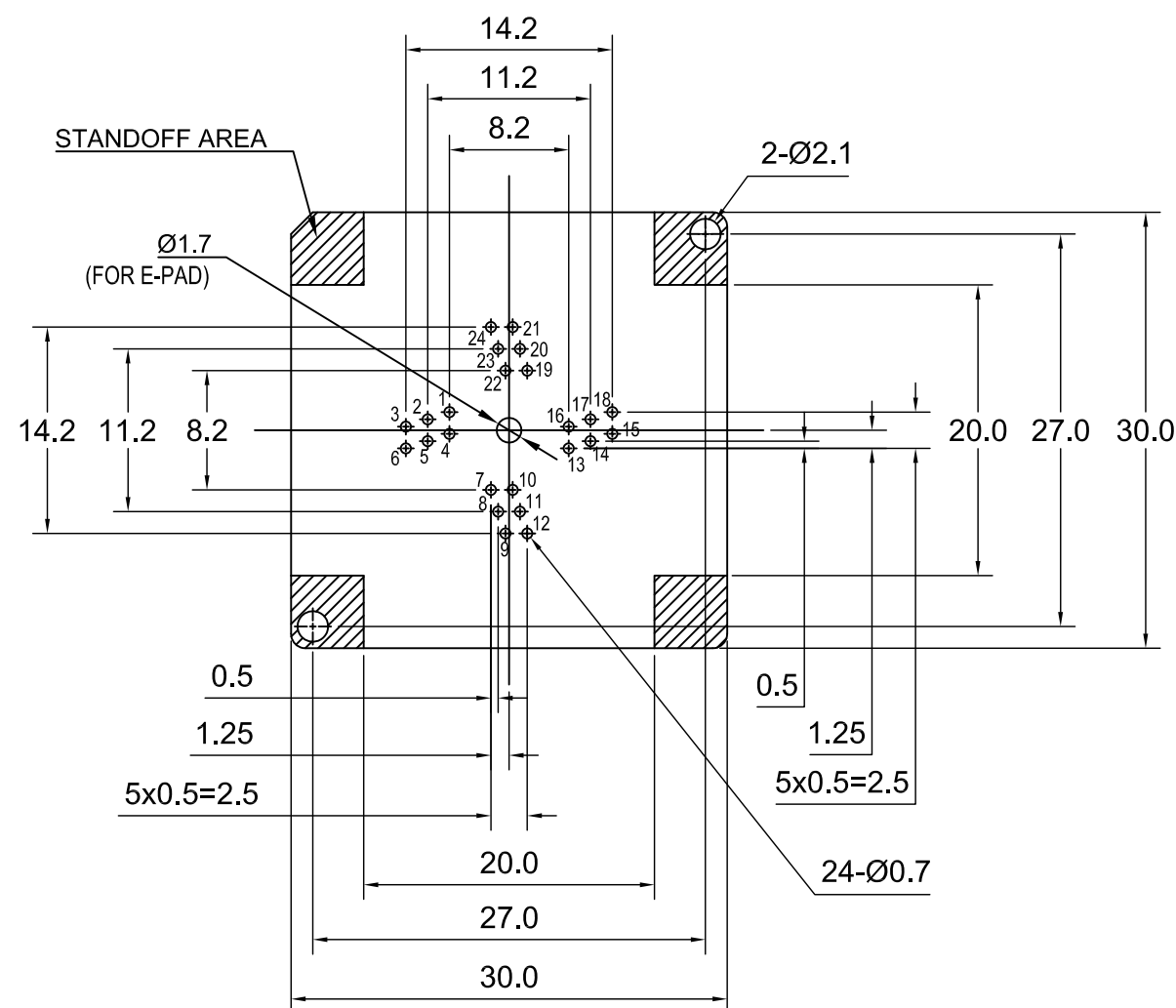
SPRINGS	SS	
CONTACTS	Be Cu	PLATING : Au
IC GUIDES	PES	COLOR : BLACK
PRESSURE PAD	PES	COLOR : BLACK
COVER	PPS or equiv.	COLOR : BLACK
BASE	PES	COLOR : BLACK

2. SEE THE REGULATORY INFORMATION APPENDIX (RIA) IN THE "RoHS COMPLIANCE" SECTION [WWW.3MCONNECTOR.COM](http://WWW.3MCONNECTOR.COM) FOR COMPLIANCE INFORMATION (RIA E1 & C1 APPLY).

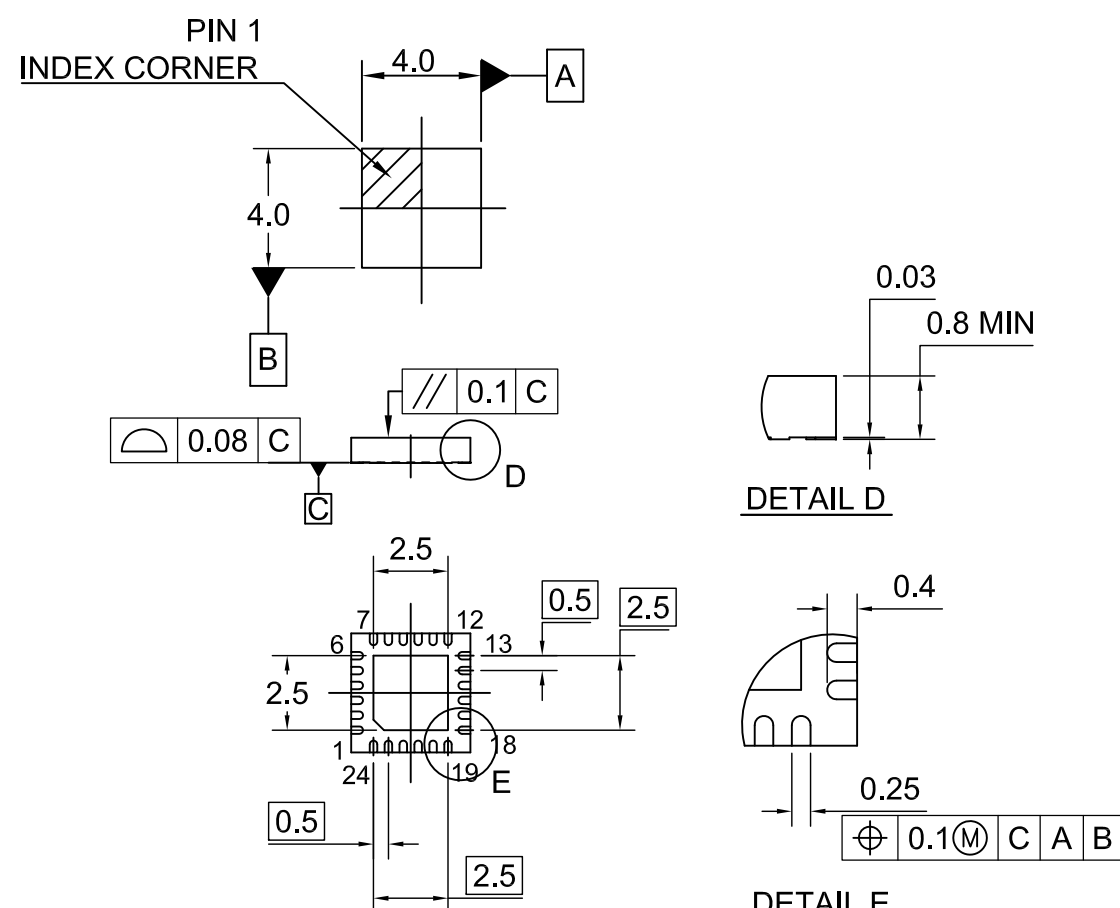
3. FOR PRODUCT SPECIFICATIONS AND WARRANTY INFORMATION SEE:

[WWW.3MCONNECTOR.COM](http://WWW.3MCONNECTOR.COM) PN 224-5205-01

DESIGN REFERENCE		NEXT ASSEMBLY		REV	ECO	ISSUE DATE AND DESCRIPTION		DRFT	CHKD
DISTRIBUTION CODES				DRFT	L SCHMIDT		DATE 4/2/12	MFG	DATE
				CHKD			DATE	APPVL	DATE
DIVISION		DIVISION CODE		A		39923		INITIAL RELEASE	
DO NOT SCALE DRAWING		SCALE	TOLERANCES EXCEPT AS NOTED	3M		3M Center St. Paul, MN 55144		© 3M COPYRIGHT 2012 This document is the copyrighted property of the 3M Company and may not be reproduced without 3M written permission or used for other than 3M authorized purposes.	
THIRD ANGLE PROJECTION		INCHES	INTERPRET PER ASME Y14.5 - 1994	TITLE		QFN TEST SOCKET 0.5mm 24 POS, EVEN ROW, 4X4 PKG WITH TP			
MAX SURFACE ROUGHNESS		MILLIMETERS	ANGLES ±	CAGE NUMBER	SIZE	DRAWING NO.	REV.		
125		0 ± .0 ± .00 ± .000 ±	1°	C		78-5100-2519-6	A		
✓ ALL SURFACES ✓ MARKED ONLY				MODEL	TEXTTOOL - QFN	DET. LISTS	□ YES <input checked="" type="checkbox"/> NO	SHT	1 OF 2



FOOTPRINT AS VIEWED LOOKING DOWN FROM TOP OF SOCKET



RECOMMENDED IC (REF.)

DESIGN REFERENCE		NEXT ASSEMBLY		REV	ECO	ISSUE DATE AND DESCRIPTION		DRFT	CHKD
DISTRIBUTION CODES				L SCHMIDT		DATE	4/2/12	MFG	DATE
				CHKD		DATE		APPVL	DATE
DIVISION		DIVISION CODE		<b>3M</b> 3M Center St. Paul, MN 55144		© 3M COPYRIGHT 2012 This document is the copyrighted property of the 3M Company and may not be reproduced without 3M written permission or used for other than 3M authorized purposes.			
DO NOT SCALE DRAWING		SCALE 5 1							
THIRD ANGLE PROJECTION		INTERPRET PER ASME Y14.5 - 1994		INCHES .0 ± .1 .00 ± .02 .000 ± .005 .0000 ± .0002		TITLE <b>QFN TEST SOCKET 0.5mm          24 POS, EVEN ROW, 4X4 PKG          WITH TP</b>			
MAX SURFACE ROUGHNESS 125 ✓ <input type="checkbox"/> ALL SURFACES <input checked="" type="checkbox"/> MARKED ONLY		ANGLES ± 1°		MILLIMETERS 0 ± .1 .00 ± .005 .000 ± .0002					
				CAGE NUMBER	SIZE	DRAWING NO.		REV.	
				TEXT00L - QFN	C	78-5100-2519-6		A	
				MODEL		DET. LISTS		SHT 2 OF 2	

# Mouser Electronics

Authorized Distributor

Click to View Pricing, Inventory, Delivery & Lifecycle Information:

3M:

[224-5205-01](#)