



T-1 3/4
MIDGET
FLANGE BASE

See lamp ratings
on page J.

Incandescent Indicators

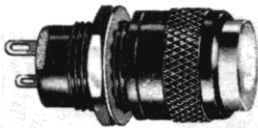
TWO TERMINALS—FULLY INSULATED
FOR MOUNTING IN 15/32" CLEARANCE HOLE

MEET OR EXCEED ENVIRONMENTAL AND OPERATIONAL REQUIREMENTS
OF MIL-L-6723 AND MIL-L-3661B

MATERIALS AND FINISHES

- **Mounting Bushing:** Aluminum, yellow iridescent chromate finish.
- **Internal-tooth Lockwasher and Mounting nut:** Steel, cadmium plated with yellow iridescent chromate finish.
- **Terminals:** Brass, hot tinned with elongated slot.

For RFI/EMI Applications



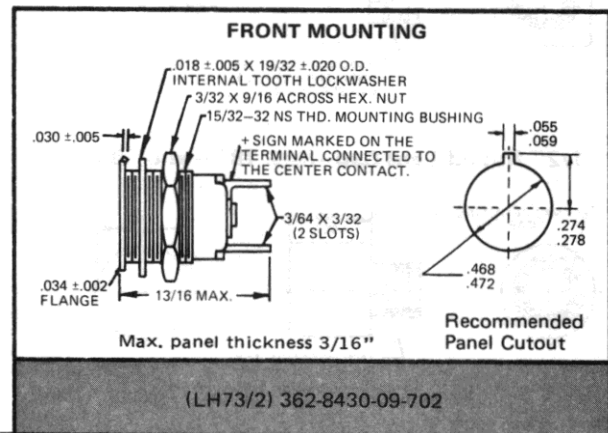
363-8430-0371-502
LH73/2, LC25RT2
Flat Lens

Feature

- **Anti-rotation (locked) construction:** Provides for secure locking of the socket terminal assembly in the mounting bushing and of the center terminal to the insulating disc. The notched mounting bushing receives the matched insulating disc to prevent the rotation of the mounting bushing.

Per MIL-L-3661B

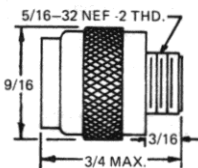
363 SERIES



BASE PART NUMBERS

(LH73/2) 362-8430-09-702

CAP PART NUMBERS	TYPE DESIG.	PART NO.	LENS CAP COLOR	COMPLETE ASSEMBLY PART NUMBERS
Flat—Non—Diffusing				
	LC25RN2	239-0331-500	Red	363-8430-0331-502
	LC25GN2	239-0332-500	Green	363-8430-0332-502
	LC25YN2	239-0333-500	Yellow (Amber)	363-8430-0333-502
	LC25BN2	239-0334-500	Blue	363-8430-0334-502
	LC25CN2	239-0337-500	Clear (Colorless)	363-8430-0337-502
Flat—Translucent				
	LC25RT2	239-0371-500	Red	363-8430-0371-502
	LC25GT2	239-0372-500	Green	363-8430-0372-502
	LC25YT2	239-0373-500	Yellow (Amber)	363-8430-0373-502
	LC25BT2	239-0374-500	Blue	363-8430-0374-502
	LC25WT2	239-0375-500	White	363-8430-0375-502



Legends not recommended
with RFI/EMI units.

Part numbers shown in gray are normally
in inventory at your Dialight Distributor.

Order complete with lamp to be assured of receiving the indicator
light and correct lamp together for immediate use.

Mouser Electronics

Authorized Distributor

Click to View Pricing, Inventory, Delivery & Lifecycle Information:

Dialight:

[362-8430-09-700](#) [362-8430-09-702](#) [239-0373-500](#) [239-0332-500](#) [239-0371-500](#) [239-0333-500](#) [239-0334-500](#) [239-0331-500](#) [239-0375-500](#) [239-0372-500](#)