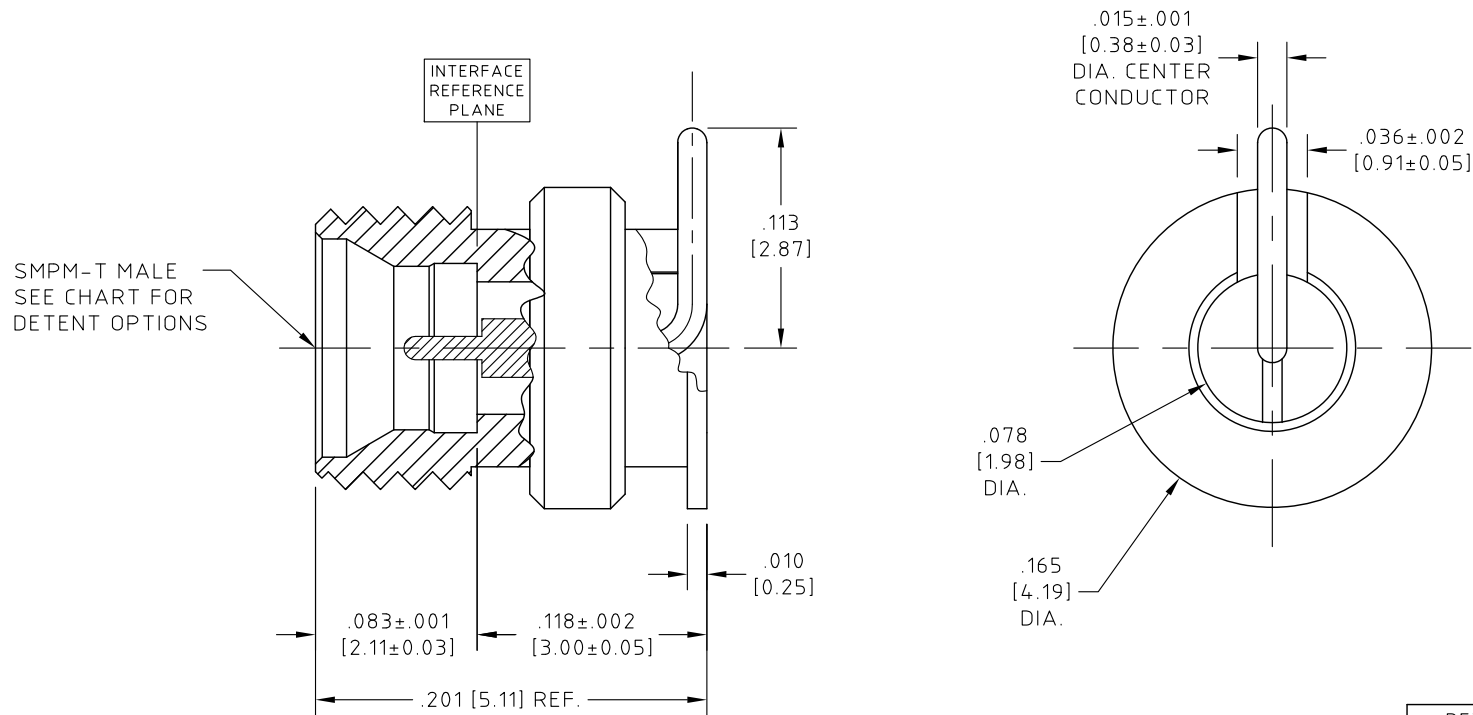


CONTROL DRAWING

29976SM-X-001

F



NOTES:

- DESCRIPTION
LAUNCHER, BOARD MOUNT, SMPM-T MALE,
THREADED HUBER+SUHNER Astrolab SMPM MALE.
FULL DETENT OPTION SHOWN
SEE CHART FOR OPTIONS AND PART NUMBERS.
- MATERIALS AND FINISHES
BODY AND CENTER CONDUCTOR,
BERYLLIUM COPPER ALLOY PER ASTM B-196,
UNS No. C17300, TEMPER TD04(H),
GOLD PLATED .000050 IN (1.27 μM) MIN. THK.
PER ASTM B-488, CODE C, TYPE II, CLASS 1.27 OVER
NICKEL PLATE, .000050 IN (1.27 μM) MIN. THK.
PER SAE-AMS-QQ-N-290, TYPE 1.
DIELECTRIC,
POLYAMIDE-IMIDE (TORLON® 4203)
ELECTRICAL GRADE, PER ASTM D-5204.
- ELECTRICAL CHARACTERISTICS:
IMPEDANCE, 50.0 Ohms NOMINAL.
FREQUENCY, 40.0 GHz MAX.
- INTERFACE DEFINITION, SMPM MALE IS DESIGNED AND
MANUFACTURED IAW MIL-STD-348 AND WILL MATE
WITH SMPM FEMALE CONNECTOR THAT IS DESIGNED
AND MANUFACTURED IAW MIL-STD-348.

NOTES CONTINUED:

- OPERATING TEMPERATURE RANGE:
-55° C TO +125° C
- MOUNTING PATTERN:
CUSTOMER SPECIFIC FACTORS INCLUDING TRANSMISSION LINE TOPOLOGY,
SUBSTRATE THICKNESS AND MATERIAL, BOARD-STACKUP, OPERATING
FREQUENCY, ETC. MUST BE SUBMITTED TO HUBER+SUHNER Astrolab
FOR ANALYSIS PRIOR TO RELEASE OF FINAL PERFORMANCE LEVELS
AND MOUNTING CONFIGURATION.

DETENT	PART NUMBER
FULL DETENT	29976SM-2-001
SMOOTH BORE	29976SM-4-001

UNLESS OTHERWISE SPECIFIED
CONCENTRICITY .004 T.I.R.
CORNERS AND FILLETS .005
MAX. RADIUS OR CHAMFER.
SURFACE FINISH 63 RMS
MICROINCHES OR BETTER.

FRACTIONS	± 1/32
X	± .030
XX	± .015
XXX	± .005
ANGLES	± 1°
DO NOT SCALE DRAWING	

NAME	DATE
PREP. EF	06/19/09
ELEC. RF	06/19/09
MECH. GSG	06/19/09
Q.C.	

THIS DRAWING CONTAINS PATENTABLE AND PROPRIETARY INFORMATION. THE DESIGN CANNOT BE USED WITHOUT WRITTEN PERMISSION OF HUBER + SUHNER ASTROLAB.

TITLE
CONNECTOR, SURFACE MOUNT, SMPM-T MALE

F	"[2.11±0.03]" ADDED	10/28/13	EB							
REV.	DESCRIPTION	DATE	BY	APPROVED						

THDS. TO BE IN ACCORD WITH U.S. DEPT. OF COMM. SCREW THD. STDS. FOR FEDERAL SERVICES 1950 SUPL. TO HANDBOOK H 28.	SCALE 10:1	CODE IDENT. 16301	DWG NO. 29976SM-X-001	REV F
---	---------------	----------------------	--------------------------	----------

Mouser Electronics

Authorized Distributor

Click to View Pricing, Inventory, Delivery & Lifecycle Information:

[HUBER+SUHNER:](#)

[29976SM-2-001](#) [29976SM-4-001](#)