

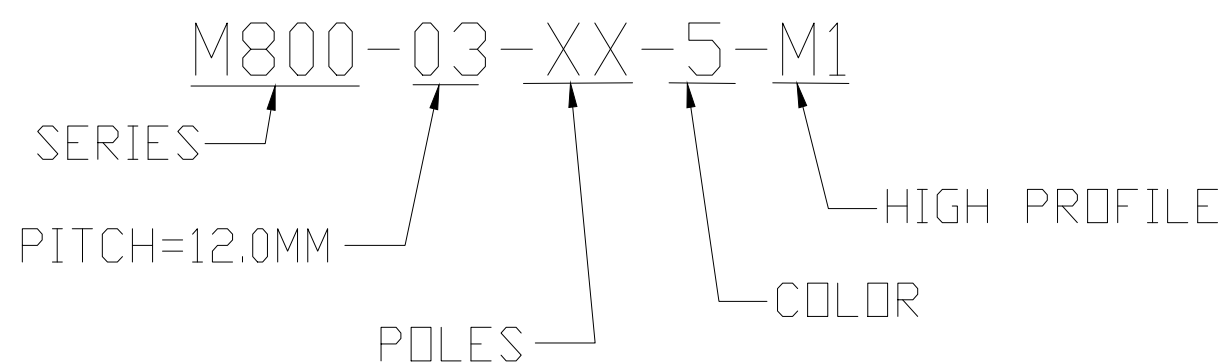
PART NUMBER DATA							
CIRCUITS	PART NUMBER	ENGINEERING NUMBER	COLOR	A IN mm		B IN mm	
2	391002202	M800-03-02-5-M1	WHITE	.79	20.0	.472	12.00
3	391002203	M800-03-03-5-M1	WHITE	1.26	32.0	.945	24.00
4	391002204	M800-03-04-5-M1	WHITE	1.73	44.0	1.417	36.00
5	391002205	M800-03-05-5-M1	WHITE	2.20	56.0	1.890	48.00
6	391002206	M800-03-06-5-M1	WHITE	2.68	68.0	2.362	60.00
7	391002207	M800-03-07-5-M1	WHITE	3.15	80.0	2.835	72.00
8	391002208	M800-03-08-5-M1	WHITE	3.62	92.0	3.307	84.00
9	391002209	M800-03-09-5-M1	WHITE	4.09	104.0	3.780	96.00
10	391002210	M800-03-10-5-M1	WHITE	4.57	116.0	4.252	108.00
11	391002211	M800-03-11-5-M1	WHITE	5.04	128.0	4.724	120.00
12	391002212	M800-03-12-5-M1	WHITE	5.51	140.0	5.197	132.00

REF. LAST 2 DIGITS OF PART NUMBER EQUAL CIRCUIT COUNT

NOTE: IF THIS PRODUCT IS STORED IN AN ENVIRONMENT WITH A RELATIVE HUMIDITY OF LESS THAN 50%, MOISTURE MUST BE ADDED. REFER TO TECHNICAL ADVISORY AS 45499-001 FOR INSTRUCTIONS.

Ⓒ

ENGINEERING NUMBER LEGEND

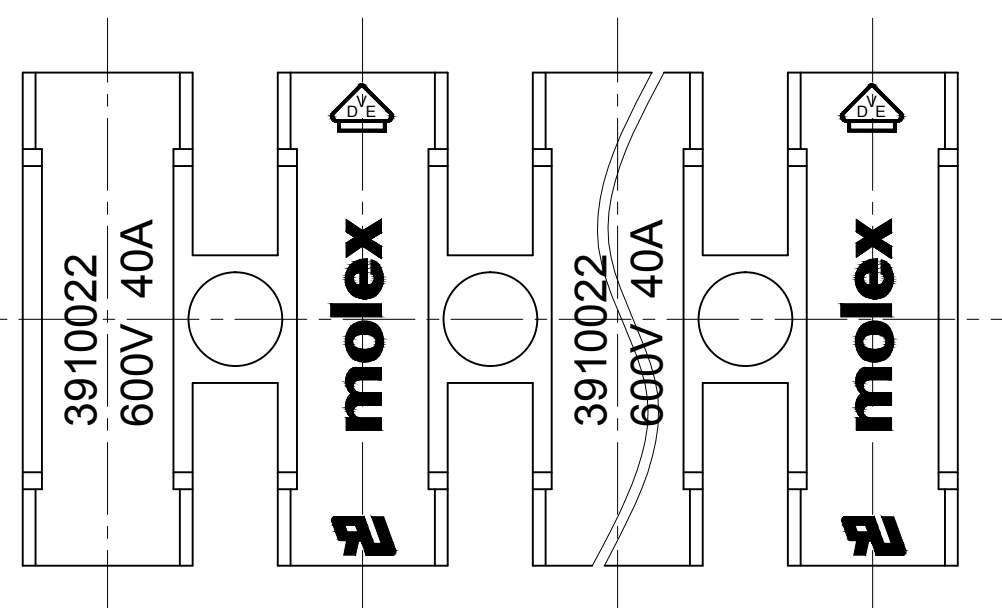
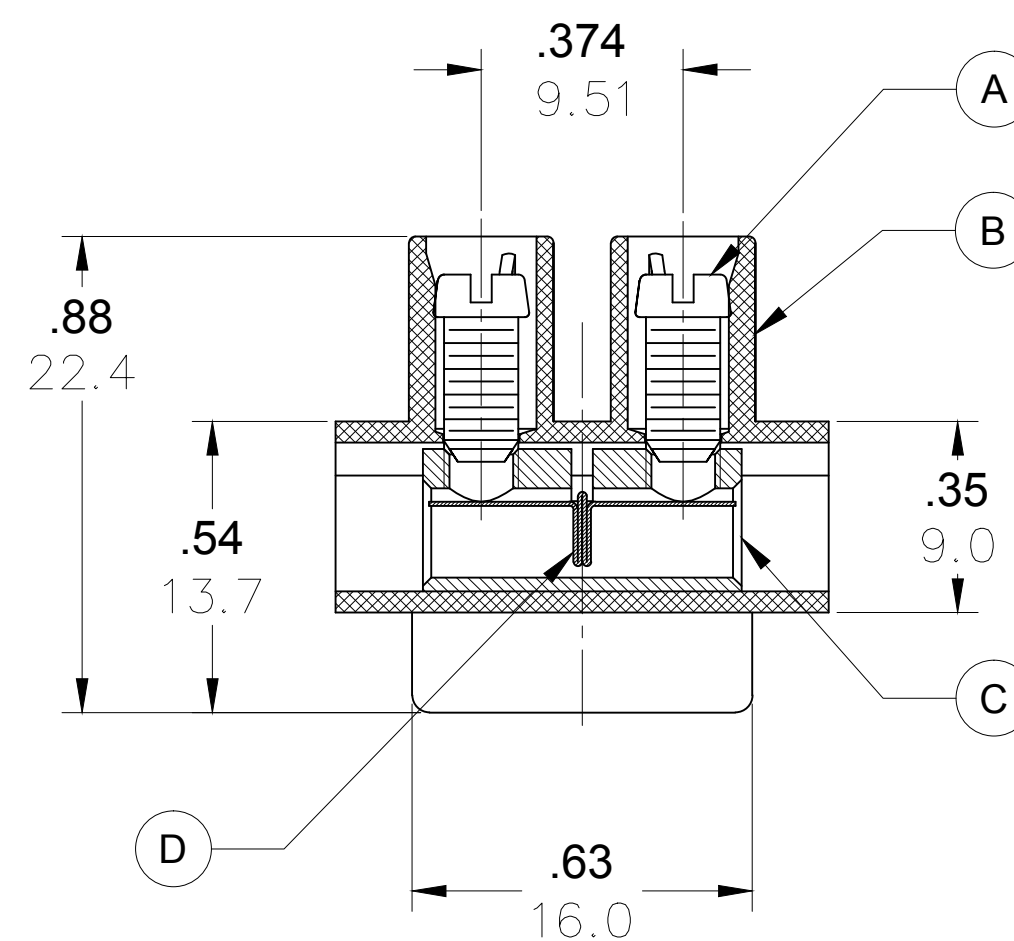
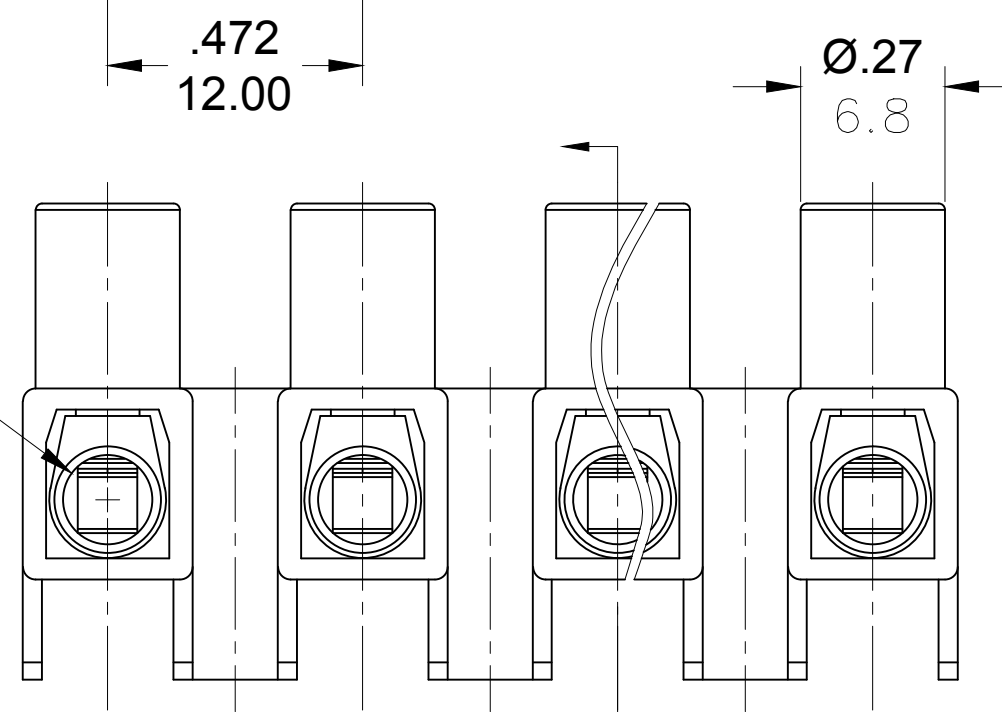
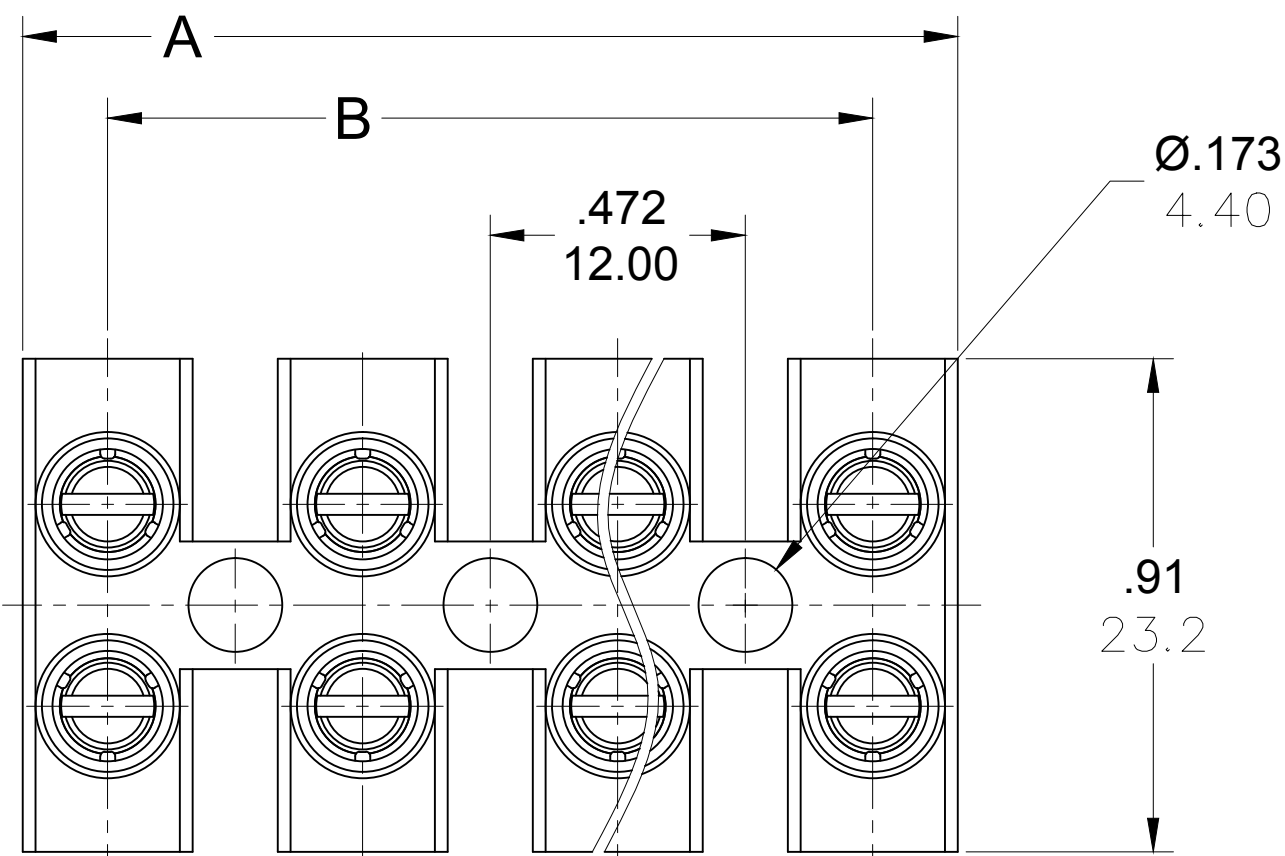


CONTACT FACTORY FOR OPTIONAL COLORS

SPECIFICATIONS:

- Material:
 - (A) Screw: Steel, Zinc plated
 - (B) Body: PA66 UL94 V-0
 - (C) Cage: Brass, Nickel plated
 - (D) Terminal: Stainless Steel
- Rating: 600V, 40amps
- Wire range: 20-8 AWG
- Max torque: 7.0 in lbs.
- Dielectric voltage withstand: DC 3000V for 1 minute.
- Insulation resistance: DC 1000V, 100GΩ
- Rated Impulse Voltage: 4000V, Plus and Minus 5 times each
- Strip Length: .24 in. (6.0mm)
- Operating Temperature: -40° C to +105° C
- Contact Resistance: < 3 mΩ
- All dims. shown are for reference only

Ø.165
4.20



ADDED MOISTURE NOTE EC NO: IPG2016-1226 DRWN: RSTONE 3/8/16 CHKD: MZIELINS 2016/03/10 APPR: KJOZWIK 2014/07/21	QUALITY SYMBOL ▽=0 ▽=0	GENERAL TOLERANCES (UNLESS SPECIFIED)		DIMENSION STYLE IN/MM		SCALE ---	DESIGN UNITS METRIC	THIRD ANGLE PROJECTION		
			mm	INCH	DRAWN BY RSTONE DATE 2014/07/11	TITLE TERMINAL STRIP 12MM HIGH PROFILE 600V				
		4 PLACES	±---	±---	CHECKED BY G FARNSW DATE ---					
		3 PLACES	±---	±.005						
	2 PLACES	±0.13	±.01							
	1 PLACE	±0.3	±---	APPROVED BY JFMURPHY DATE 2014/07/21		MOLEX INCORPORATED				
ANGULAR ±---°				MATERIAL NO. SEE CHART		DOCUMENT NO. SD-39100-015		SHEET NO. 1 OF 1		
DRAFT WHERE APPLICABLE MUST REMAIN WITHIN DIMENSIONS				THIS DRAWING CONTAINS INFORMATION THAT IS PROPRIETARY TO MOLEX INCORPORATED AND SHOULD NOT BE USED WITHOUT WRITTEN PERMISSION						

Mouser Electronics

Authorized Distributor

Click to View Pricing, Inventory, Delivery & Lifecycle Information:

[Molex:](#)

[39100-2206](#) [39100-2202](#) [39100-2204](#) [39100-2208](#) [39100-2203](#) [39100-2207](#) [39100-2209](#) [39100-2205](#) [39100-2210](#) [39100-2212](#) [39100-2211](#)