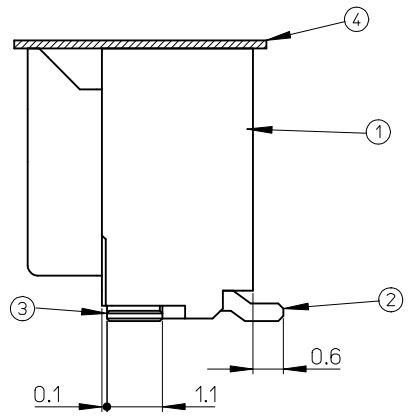
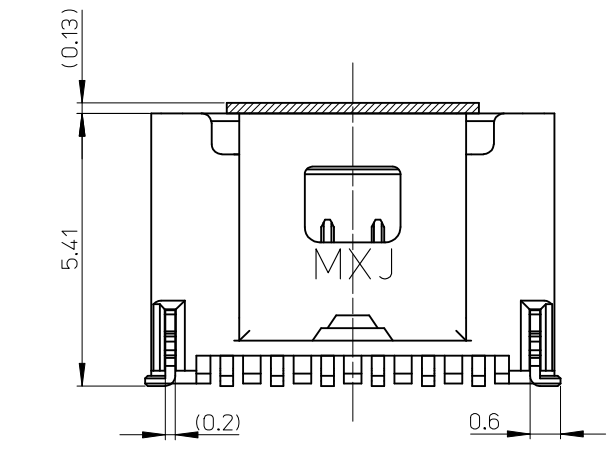


参考パターンレイアウト
 RECOMMENDED PATTERN DIM. (REF)
 SCALE:5:1 (メタルマスク厚:0.12mm)



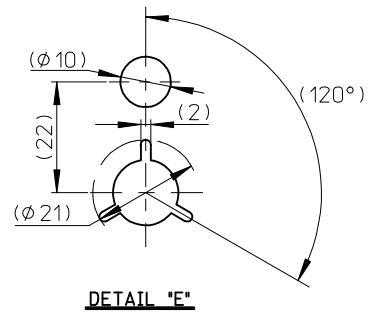
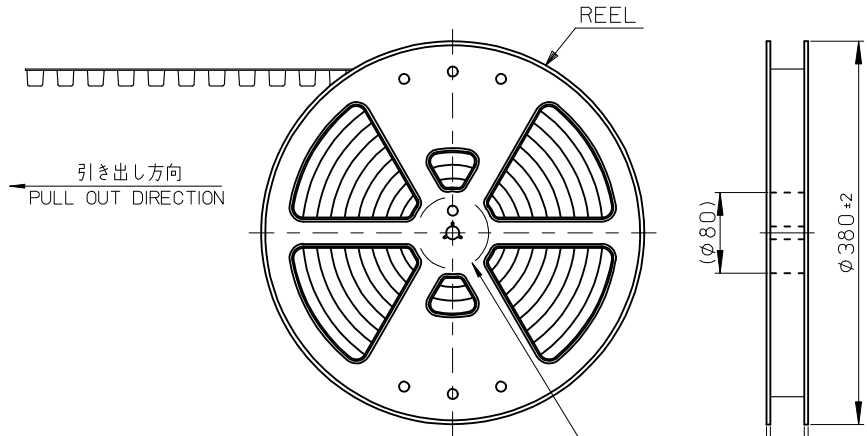
番号 NO.	部品 PART	材質 MATERIAL
①	ウエハー WAFER	ポリアミド UL94V-0 色:ナチュラル POLYAMIDE UL94V-0, COLOR: NATURAL
②	ソルダーピン SOLDER PIN	りん青銅 PHOSPHOR BRONZE 部分金メッキ: 0.1μmMIN. SEPARATED GOLD PLATING ニッケルメッキ(下地): 1.0μmMIN. NICKEL(UNDER PLATING)
③	ネイル NAIL	りん青銅 PHOSPHOR BRONZE 錫メッキ: 1.0μmMIN. TIN ニッケルメッキ(下地): 1.0μmMIN. NICKEL(UNDER PLATING)
④	カバーテープ COVER TAPE	ポリイミドテープ POLYIMIDE TAPE

※対応可能な極数は、別途お問い合わせ下さい。

14.0	17.0	504449-1507	15
13.0	16.0	504449-1407	14
12.0	15.0	504449-1307	13
11.0	14.0	504449-1207	12
10.0	13.0	504449-1107	11
9.0	12.0	504449-1007	10
8.0	11.0	504449-0907	9
7.0	10.0	504449-0807	8
6.0	9.0	504449-0707	7
5.0	8.0	504449-0607	6
B	A	EMBOSSED PACKAGE	極数
		オーダー番号 ORDER NO.	CKT.

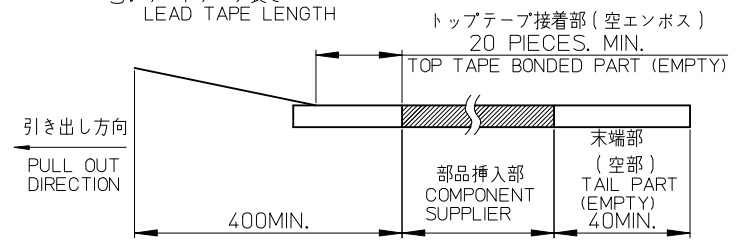
- NOTES.
1. 嵌合相手: 501330-****
MATE WITH: 501330-****
 2. ソルダーピン及びネイル平坦度は、0.1MAX.
SOLDER PIN AND NAIL COPLANARITY TO BE 0.1MAX.
 3. 極数=偶数に適用
APPLY FOR CKT SIZE=EVEN
 4. 2~5極は、SD-504449-001を参照下さい。
REFER TO SD-504449-001 ABOUT 2-5CKT.
 5. ELV及びRoHS適合品。
ELV AND RoHS COMPLIANT.

RELEASED EC NO: J2012-1436 DRWN: KWASHIO 2012/12/13 CHKD: KASAKAWA 2012/12/14 APPR: YOITO 2012/12/21 REV: 0	DESCRIPTION GENERAL TOLERANCES (UNLESS SPECIFIED) 10 UNDER ±0.2 10 OVER 30 UNDER ±0.25 30 OVER ±0.3 ANGULAR ±3 ° DRAFT WHERE APPLICABLE MUST REMAIN WITHIN DIMENSIONS	DIMENSION STYLE MM ONLY	SCALE 10:1	DESIGN UNITS METRIC	THIRD ANGLE PROJECTION	
		DRAWN BY KWASHIO	DATE 2012/12/13	TITLE 1.0 WIRE TO BOARD CONN. WAFER ASS'Y (1-ROW S/T) 6-15CKT		
		CHECKED BY YOITO	DATE 2012/12/21	molex		
		APPROVED BY YOITO	DATE 2012/12/21	MATERIAL NO. SEE TABLE	DOCUMENT NO. SD-504449-002	SHEET NO. 1 OF 1
SIZE A3 THIS DRAWING CONTAINS INFORMATION THAT IS PROPRIETARY TO MOLEX INCORPORATED AND SHOULD NOT BE USED WITHOUT WRITTEN PERMISSION						



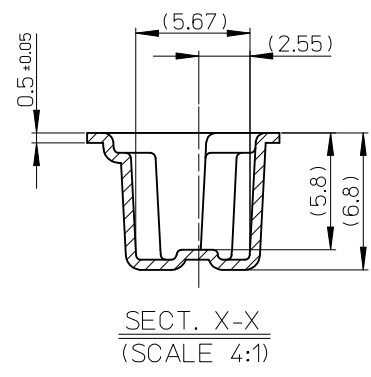
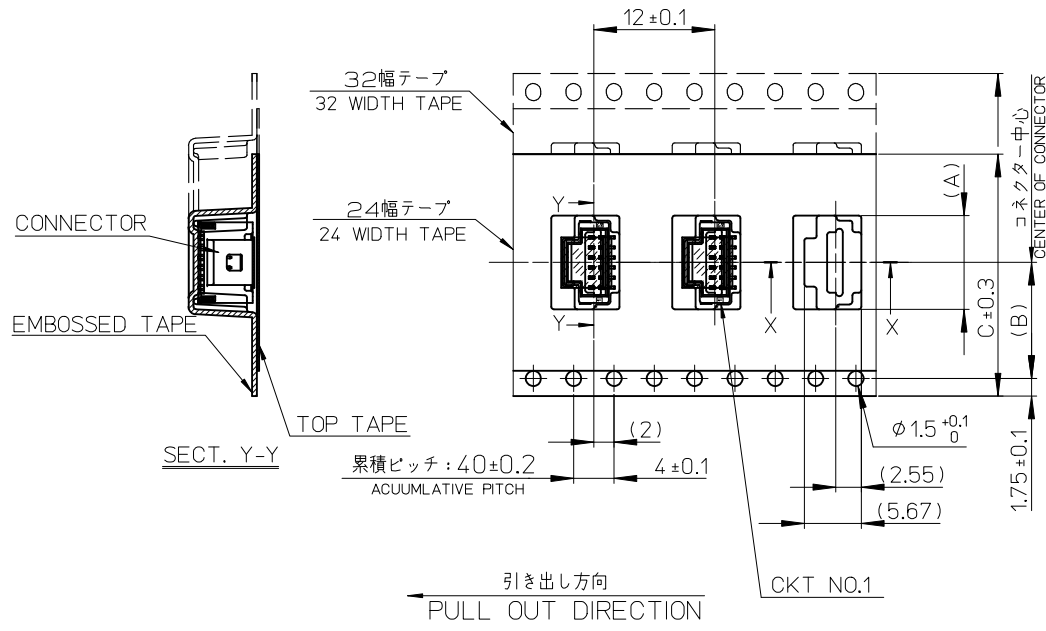
NOTES.

- 製品詳細寸法については製品単体図面を参照ください。
ABOUT DETAILED DIMENSION, SEE PRODUCT DRAWING.
- 梱包数量：1100個/リール
NUMBER OF CONNECTORS：1100PIECES/REEL
- リードテープ長さ
LEAD TAPE LENGTH



- 材料
MATERIAL
キャリアテープ：ポリプロピレン
CARRIER TAPE：POLYPROPYLENE
トップテープ：PET、PE、REF
TOP TAPE
リール：ポリスチレン (リサイクル材を含む)
REEL：POLYSTYLENE (RECYCLE MATERIAL CONTAINED)
- ELV 及び RoHS適合品
ELV AND RoHS COMPLIANT.

RELEASED EC NO: J2012-1436 DRWN: KWASHIO 2012/12/13 CHKD: KASAKAWA 2012/12/14 APPR: YOITO 2012/12/21	DESCRIPTION REV 0	GENERAL TOLERANCES (UNLESS SPECIFIED)		DIMENSION STYLE MM ONLY		SCALE ---	DESIGN UNITS METRIC	THIRD ANGLE PROJECTION		
		10 UNDER	±0.2	DRAWN BY KWASHIO	DATE 2012/12/13	TITLE 1.0 WIRE TO BOARD CONN. WAFER ASS'Y (1-ROW S/T) EMBSTP PKG				
		10 OVER 30 UNDER	±0.25	CHECKED BY	DATE	molex DOCUMENT NO. SD-504449-004 SHEET NO. 1 OF 2				
		30 OVER	±0.3	APPROVED BY YOITO	DATE 2012/12/21					
		ANGULAR ±1 °		DRAFT WHERE APPLICABLE MUST REMAIN WITHIN DIMENSIONS		MATERIAL NO. SEE SHEET 2				
				SIZE A3		THIS DRAWING CONTAINS INFORMATION THAT IS PROPRIETARY TO MOLEX INCORPORATED AND SHOULD NOT BE USED WITHOUT WRITTEN PERMISSION				



37.4	33.4	32	14.2	18.3	504449-1507	15	
				17.3	504449-1407	14	
				16.3	504449-1307	13	
29.4	25.4	24	11.5	15.3	504449-1207	12	
				14.3	504449-1107	11	
				13.3	504449-1007	10	
				12.3	504449-0907	9	
				11.3	504449-0807	8	
				10.3	504449-0707	7	
E	D	C	(B)	(A)	9.3	504449-0607	6
					EMBOSSSED PACKAGE 極数		
オーダー番号 ORDER NO.						CKT.	

CONNECTOR SERIES No. 504449-***9

SEE SHEET1 EC NO: J2012-1436 DRWN: KWASHIO 2012/12/13 CHKD: KASAKAWA 2012/12/14 APPR: YOITO 2012/12/21 REV: 0	GENERAL TOLERANCES (UNLESS SPECIFIED)		DIMENSION STYLE MM ONLY		SCALE ---		DESIGN UNITS METRIC		THIRD ANGLE PROJECTION	
	10 UNDER	±0.2	DRAWN BY	DATE	TITLE					
	10 OVER 30 UNDER	±0.25	KWASHIO	2012/12/13	1.0 WIRE TO BOARD CONN. WAFER ASS'Y (1-ROW S/T) EMBSTP PKG					
	30 OVER	±0.3	CHECKED BY	DATE	MOLEX INCORPORATED					
	ANGULAR	±1 °	YOITO	2012/12/21	SD-504449-004					
DRAFT WHERE APPLICABLE MUST REMAIN WITHIN DIMENSIONS		MATERIAL NO.		SEE TABLE		DOCUMENT NO.		SHEET NO.		
		SIZE		A3		THIS DRAWING CONTAINS INFORMATION THAT IS PROPRIETARY TO MOLEX INCORPORATED AND SHOULD NOT BE USED WITHOUT WRITTEN PERMISSION				

Mouser Electronics

Authorized Distributor

Click to View Pricing, Inventory, Delivery & Lifecycle Information:

[Molex:](#)

[504449-0707](#)