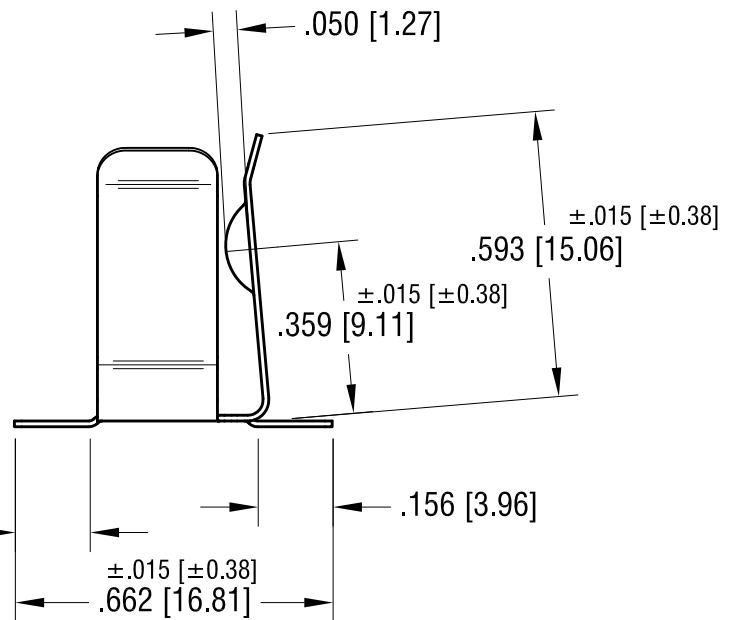
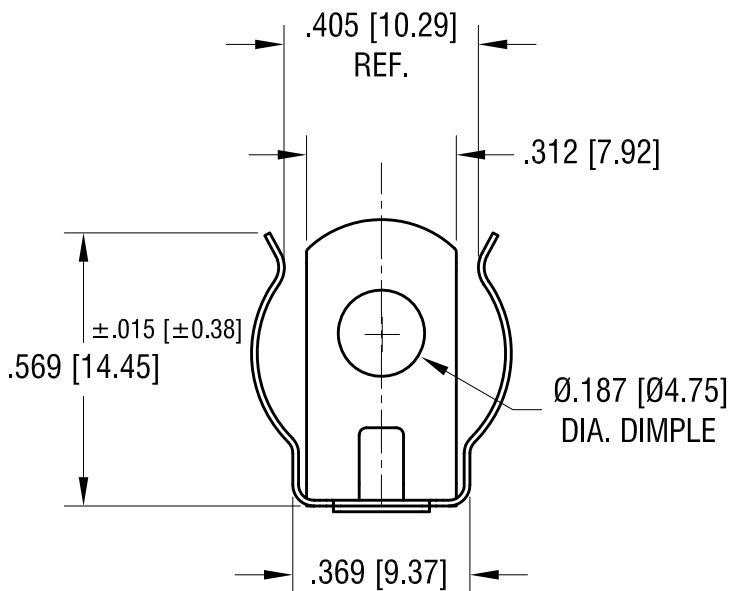
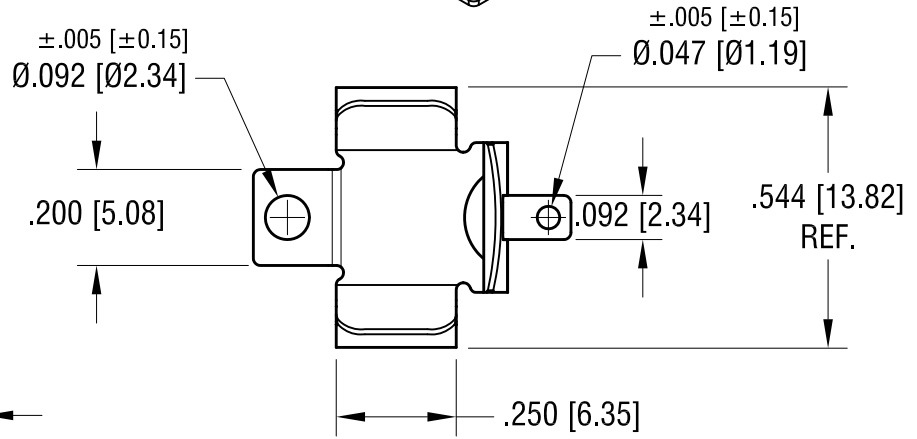
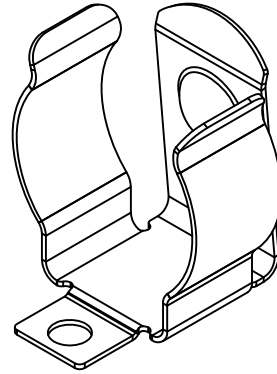
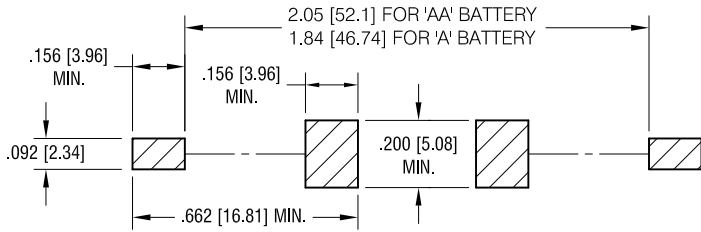


THIS DOCUMENT IS THE PROPERTY OF KEYSTONE ELECTRONICS CORP. AND SHALL NOT BE REPRODUCED, DISTRIBUTED OR USED AS A BASIS FOR MANUFACTURE WITHOUT PRIOR WRITTEN PERMISSION FROM KEYSTONE ELECTRONICS CORP.

MOUNTING PAD LAYOUT. REQUIRED SPACING FOR 'A' OR 'AA' BATTERIES



NOTE:

1. HEAT TREAT TO SPRING TEMPER.

KEYSTONE ELECTRONICS CORP.

www.keyelco.com • ASTORIA, N.Y. 11105-2017 • Tel (718) 956-8900

PART NAME				'A' & 'AA' BATTERY HOLDER	
MATERIAL				.012 [.30] TH'K ANNEALED SPRING STEEL	
FINISH		DRN BY	DATE	SCALE	
MATTE TIN PLATE		NT	7.20.09	2.5X	
TOLERANCES		INCH	[MM]	CODE	DWG NO.
DECIMAL		±.010	[±0.25]	C	553
ANGULAR		± 1°			
UNLESS OTHERWISE SPECIFIED					

10.20.09	CHANGE AS PER ECN 09-153	A
DATE	DESCRIPTION	REV.

Mouser Electronics

Authorized Distributor

Click to View Pricing, Inventory, Delivery & Lifecycle Information:

[Keystone Electronics:](#)

[553](#)