

Smart Box (part no. 74-10003.1)

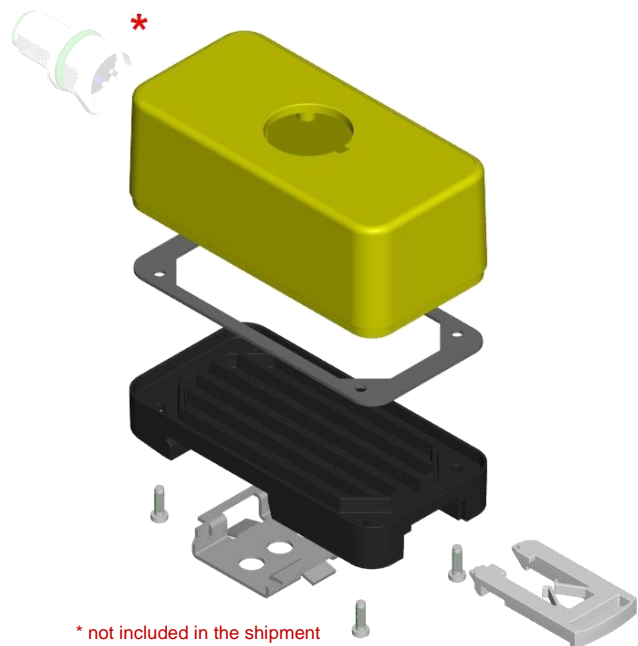
Technical specifications

Description

Housing construction kit with hole for EAO Series 84 emergency stop switch and hole for separate M12 plug. The housing is sealed to IP65 when assembled with the specified. Emergency Stop switch and M12 plug.

Shipped:

- Empty Smart Box in unassembled condition
- plug is not included in shipment
- S84 emergency stop switch is not included in shipment



Items / materials included in shipment:

Upper part of housing:	PBT / UL-V0 / colour similar to RAL1004
Lower part of housing:	PBT / UL-V0 / colour similar to RAL9011
Spring element (for restraint):	POM (nature)
Seal:	MVQ silicone foam bright
Mounting adaptor:	Stainless steel 1.4301 / surface vibratory finish
Housing screws:	Stainless steel A2

Drilling patterns:

EAO Series 84 emergency stop switch: All versions possible

Hole for M12 plug: Installation optimised for plugs from Murr Elektronik
Basic version: Type 17162

Operating temperatures

Temperature range:	Rated temperature:	25°C
	Operating temperature:	-25 ... 60°C
	Storage temperature:	-25 ... 80°C

Standards

Degree of protection: IP65 (in screwed condition / with mounted emergency stop switch and female connector)

Mechanical characteristics

External dimensions:

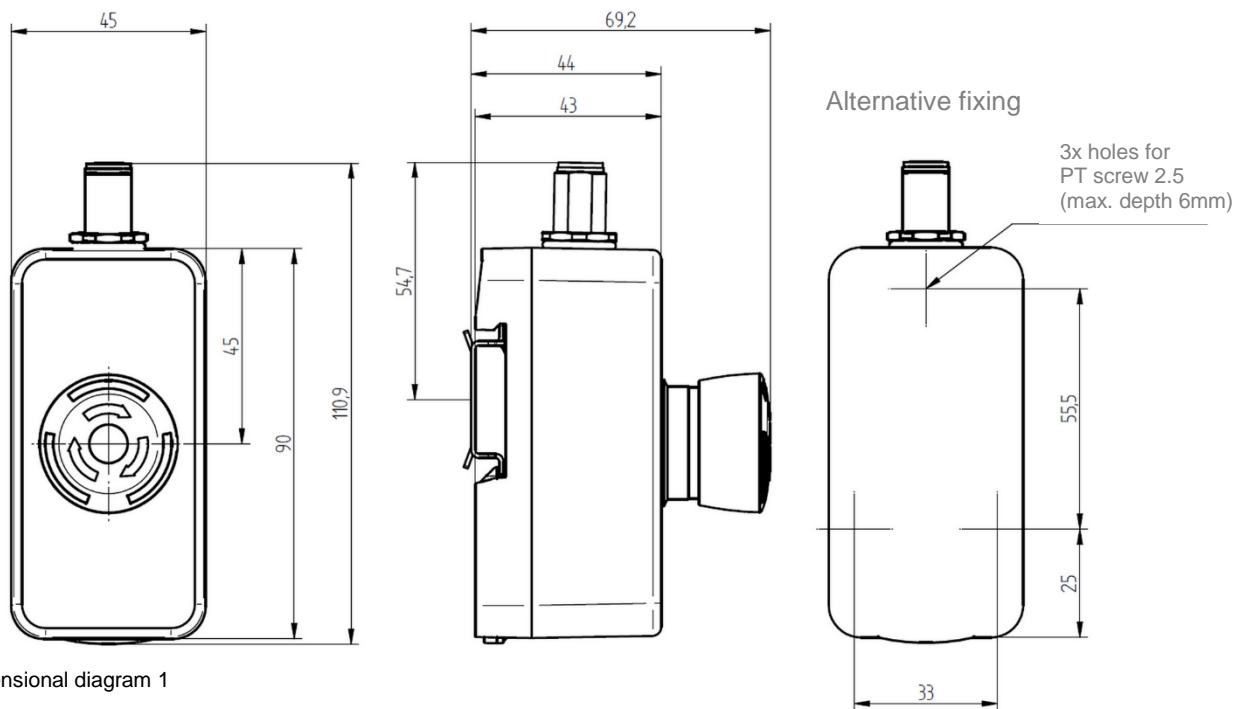
See dimensional diagram 1
(Female M12 connector not included)

Note:

- The dimensional diagrams show the housing with the emergency stop switch and M12 plug fitted (both not included in shipment)
- All side walls exhibit a pull of around 1°.

Certificates

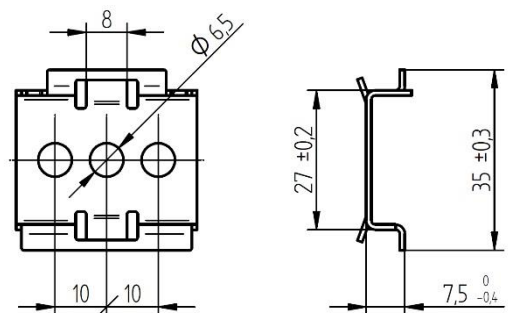
CE



Dimensional diagram 1

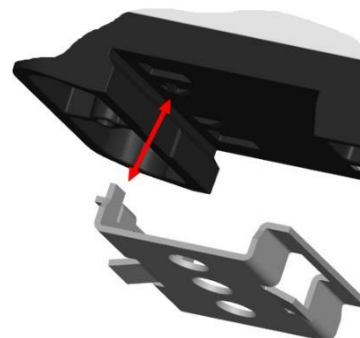
Mounting

- Mount mounting adapter onto mounting surface
- Mount emergency stop Smart Box on one side (note direction of mounting adapter on the housing)
- Push the Smart Box onto the adaptor on the other side until it audibly clicks into place
- Alternatively, the module can be mounted on a standard top hat rail, or it can be mounted on a base using screws on the rear (see dimensional diagrams).



Dismantling

- Pull out spring element using screwdriver and lift Smart Box
- Remove Smart Box from the other side



EAO reference number:

Part no. 74-10003.1

EAO reserves the right to change specifications without further notice.

Mouser Electronics

Authorized Distributor

Click to View Pricing, Inventory, Delivery & Lifecycle Information:

EAO:

[74-10003.1](#)