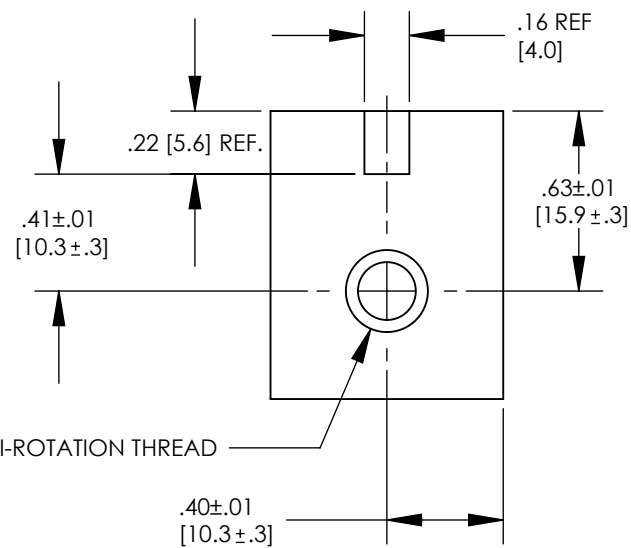
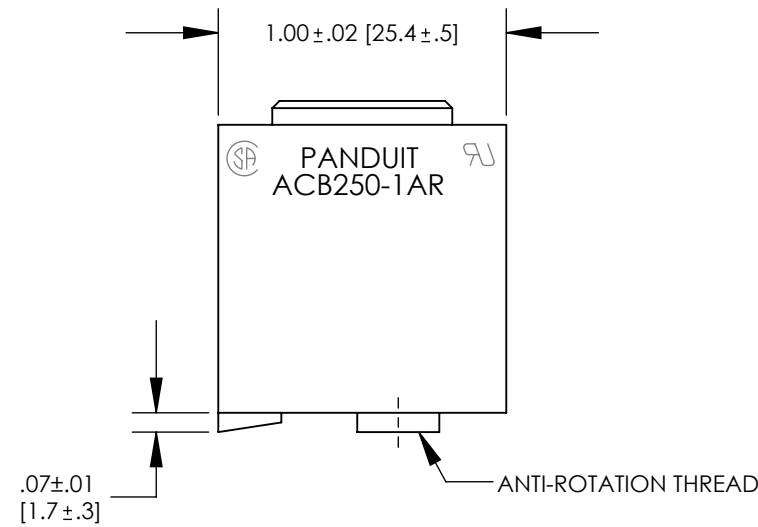
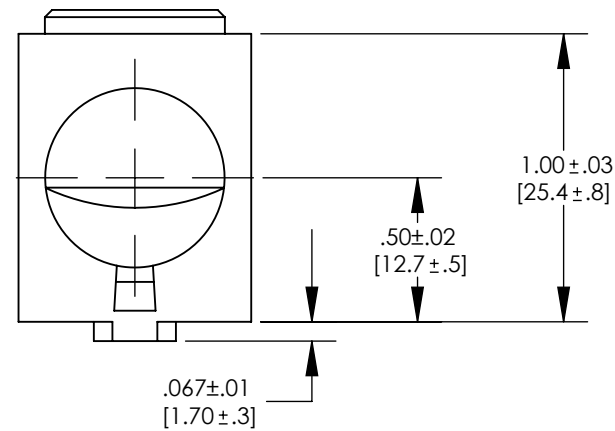
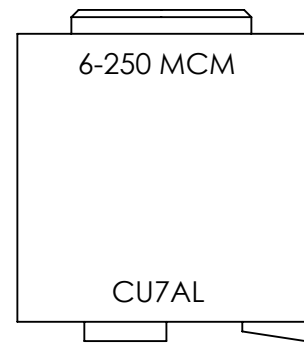
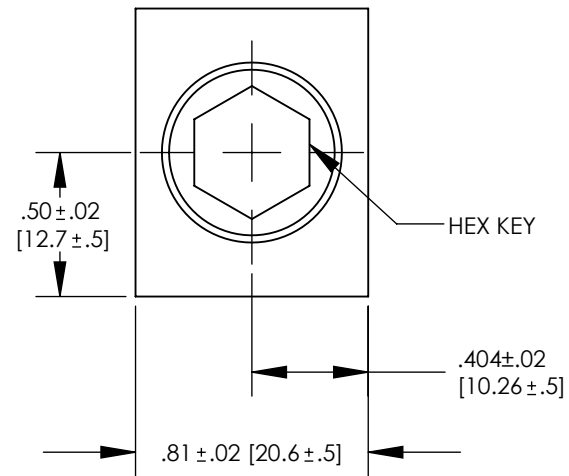


NOTES:

1. UL RECOGNIZED  
CSA CERTIFIED UP TO 600V  
CU7AL RATED
2. TO BE USED WITH COPPER OR ALUMINUM  
STRANDED WIRE.
3. MATERIAL: ALUMINUM, TIN PLATED
4. CONDUCTOR RANGE: 250 kcmil - #6 AWG
5. DIMENSIONS ARE INCHES. DIMENSIONS IN  
PARENTHESIS ARE MILLIMETERS.



PART NUMBER	PKG. QTY.	WIRE RANGE COPPER/ALUMINUM	WIRE STRIP LENGTH IN [mm]	ANTI-ROTATION THREAD	INSTALLATION TORQUE IN-LBS [N-m]	HEX KEY	SCREW MAT'L	PART WEIGHT LB [kg]
ACB250-1AR-Q	25	250 kcmil - 6 AWG	1.25 [31.8]	1/4"-20	275 [31.1]	5/16"	ALUMINUM	.053 lb [.024kg]

REV	DATE	BY	CHK	APR	DESCRIPTION	ECN
01	11/13	JHNU	JHNU	RGB	REMOVED ACB250-1AR-C REVISED TITLE BLOCK & TOLERANCES	N41775BA-C41775
00	9/09	JHNU	JHNU	JAC	DRAWING RELEASED	

TITLE <b>ALUMINUM CONNECTOR BLOCK (ACB250-1AR-Q)</b> CUSTOMER DRAWING			
ITEM REVISION NAME N41775BA-C41775/01		<b>PANDUIT</b>	
DATASET FILE NAME C41775/01.SLDDRW			
UNLESS OTHERWISE SPECIFIED, DIMENSIONAL TOLERANCES ARE: IN [mm]			
.X ±		.XXX ±	
.XX ±		ANGLES ±	
DRAWN BY JHNU		DATE 9/09	
CHK JAC		SCALE N/A	
DRAWING NUMBER C41775_01			SIZE B
SHEET 1 OF 1			

# Mouser Electronics

Authorized Distributor

Click to View Pricing, Inventory, Delivery & Lifecycle Information:

[Panduit:](#)

[ACB250-1AR-Q](#)