

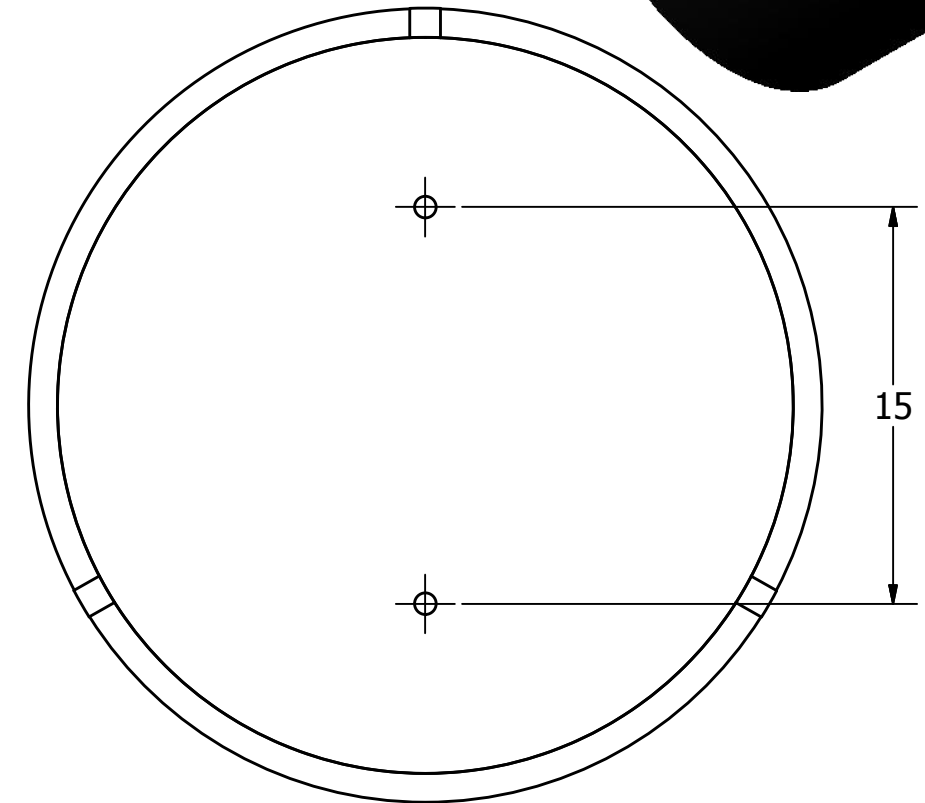
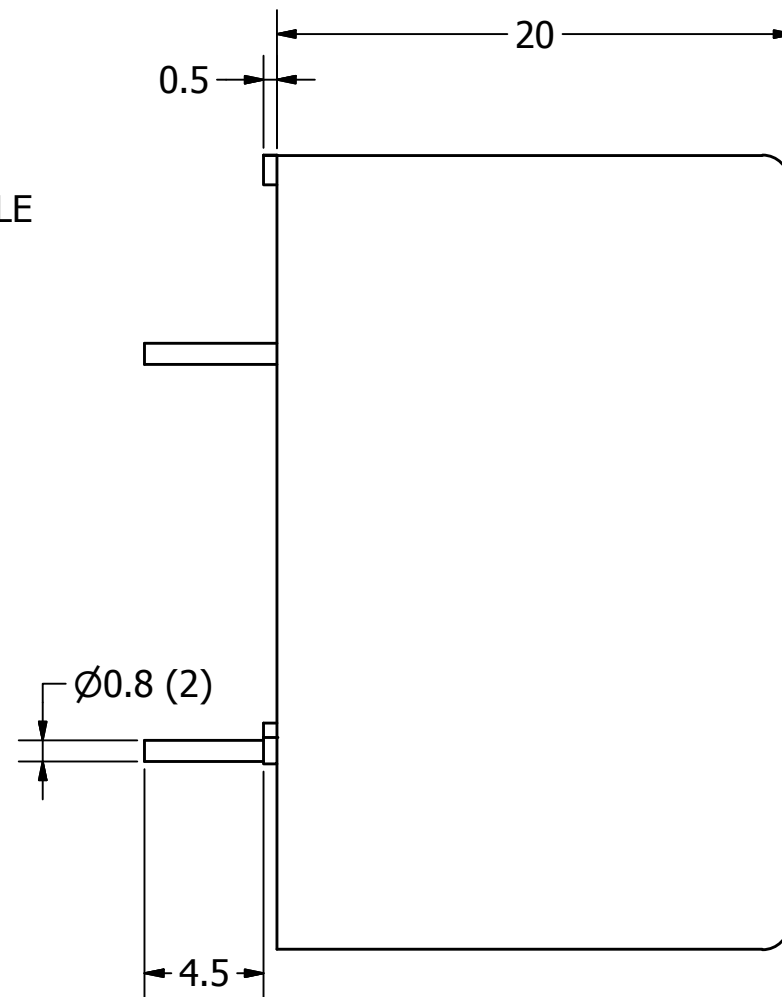
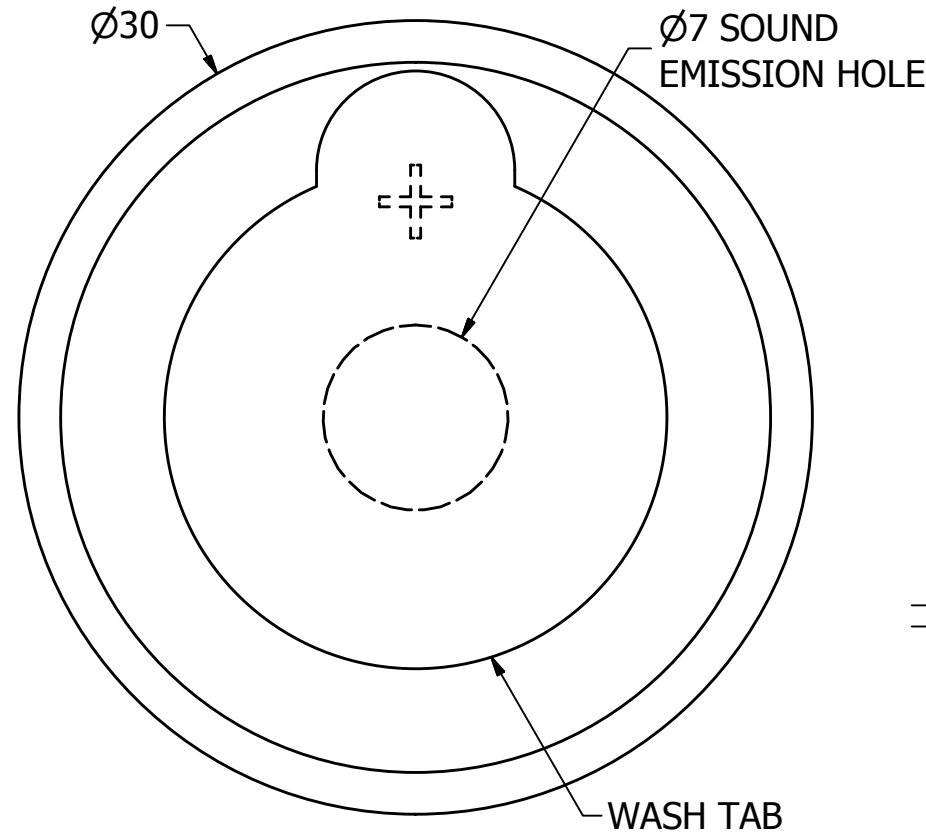
SPECIFICATIONS

PARAMETERS	VALUES	UNITS
RATED VOLTAGE	12	Vdc
OPERATING VOLTAGE RANGE	3 ~ 24	Vdc
RATED CURRENT (MAX)	15	mA
MINIMUM SPL @ 10 CM	100	dBa
RESONANT FREQUENCY	3,900 ± 500	Hz
TONE OR PULSE RATE	CONTINUOUS	0 pulse/sec
OPERATING TEMPERATURE	-20 ~ +80	°C
STORAGE TEMPERATURE	-30 ~ +85	°C
HOUSING MATERIAL	PBT	-
TERMINAL MATERIAL	Sn PLATED COPPER	-
WEIGHT	10	grams

THIS DOCUMENT CONTAINS DATA PROPRIETARY TO PROJECTS UNLIMITED, INC. ANY USE OR REPRODUCTION, IN ANY FORM, WITHOUT PRIOR WRITTEN PERMISSION OF PROJECTS UNLIMITED, INC. IS PROHIBITED.
©2003, Projects Unlimited Inc.

REVISION HISTORY

LTR	DESCRIPTION	DATE	APPROVED
-	RELEASED FROM ENGINEERING	8/17/2005	
A	REVISED BODY HEIGHT DIMENSION	12/7/2007	B.R.
B	REVISED TO INVENTOR 3-D DRAWING TEMPLATE	2/14/2008	B.R.
C	NEGATIVE POLARITY MARK REMOVED POSITIVE POLARITY MARK RECESSED	7/5/2017	M.V.



NOTES:

1. ALL DIMENSIONS ARE IN MILLIMETERS.
2. SPECIFICATIONS SUBJECT TO CHANGE OR WITHDRAWL WITHOUT NOTICE.
3. THIS PART IS RoHS 2002/95/EC COMPLIANT.
4. REVISION C APPLIES TO DATE CODE 17H AND AFTER.

UNLESS OTHERWISE SPECIFIED: DIMENSIONS ARE IN MILLIMETERS, TOLERANCES ARE ±0.5 AND ANGLES ARE ±3°.	SIZE A3	Designed by	Date	Checked by	Date	Approved by	Date	Drawn Date	
		J.A.F.	8/17/2005	B.R.	8/18/2005	E.P.	8/18/2005	2/14/2008	
AI-3039-TWT-12V-R.idw				AI-3039-TWT-12V-R				Indicator	
						Edition		Sheet	
						-		1 / 1	

Mouser Electronics

Authorized Distributor

Click to View Pricing, Inventory, Delivery & Lifecycle Information:

[PUI Audio:](#)

[AI-3039-TWT-12V-R](#)