

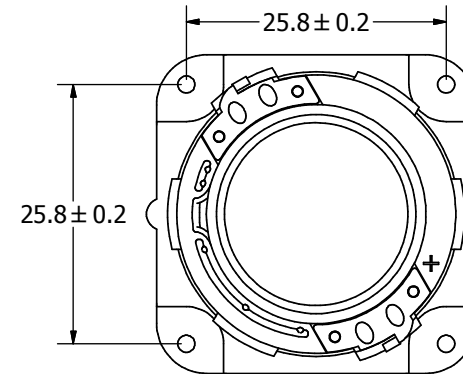
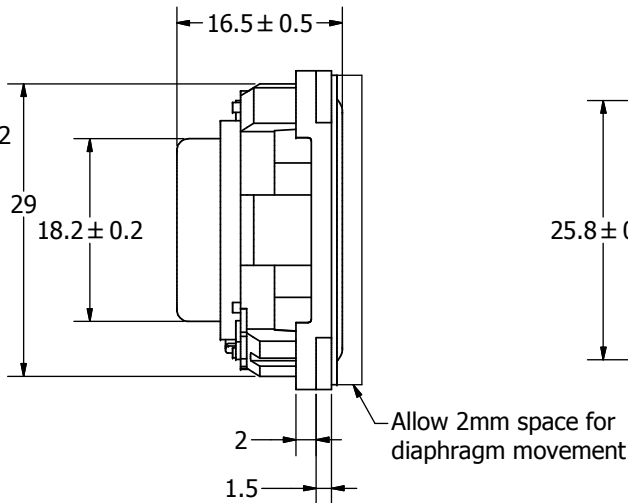
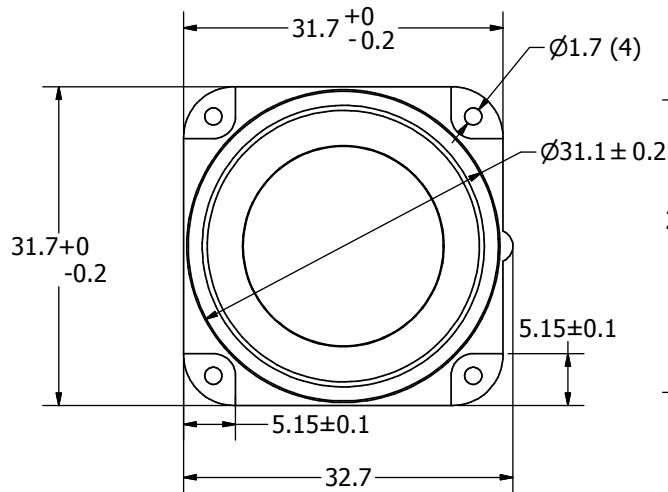
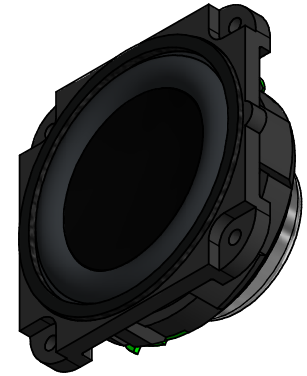
# SPECIFICATIONS

PARAMETERS	VALUES	UNITS
RATED INPUT POWER	3	W
MAX INPUT POWER	4	W
IMPEDANCE	8 ± 15%	OHM
OUTPUT SPL @ 1W/0.5M  (AT 0.6, 0.8, 1.0, 1.2 kHz)	85 ± 3	dBA
DISTORTION (MAX. @ 1W/1 kHz)	5%	-
RESONANT FREQUENCY	200 ± 20%	Hz
FREQUENCY RANGE	200 ~ 20,000	Hz
HOUSING MATERIAL	ABS	-
CONE MATERIAL	PPE	-
MAGNET MATERIAL	NdFeB	-
OPERATING TEMPERATURE	-25 ~ +60	°C
WEIGHT	16.6	grams

THIS DOCUMENT CONTAINS DATA PROPRIETARY TO PROJECTS UNLIMITED, INC. ANY USE OR REPRODUCTION, IN ANY FORM, WITHOUT PRIOR WRITTEN PERMISSION OF PROJECTS UNLIMITED, INC. IS PROHIBITED.  
©2003, Projects Unlimited Inc.

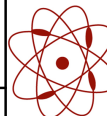
# REVISION HISTORY

LTR	DESCRIPTION	DATE	APPROVED
-	RELEASED FROM ENGINEERING	5/2/16	
A	REVISED IP RATING TO IP65	12/8/16	M.V.



## NOTES:

1. ALL DIMENSIONS ARE IN MILLIMETERS.
2. SPECIFICATIONS SUBJECT TO CHANGE OR WITHDRAWAL WITHOUT NOTICE.
3. THIS PART IS RoHS 2011/65/EU COMPLIANT.
4. THE FACE OF THIS PART COMPLIES WITH IP65 WATERPROOFING AND DUST INGRESS STANDARDS.

UNLESS OTHERWISE SPECIFIED: DIMENSIONS ARE IN MILLIMETERS, TOLERANCES ARE ±0.5 AND ANGLES ARE ±3°.	SIZE <b>A3</b>	Designed by	Date	Checked by	Date	Approved by	Date	Drawn Date
		M.V.	5/2/2016	M.V.	5/2/2016	B.R.	5/2/2016	5/2/2016
AS03208MS-3-R.idw		 <b>pui audio</b> a projects unlimited company		<b>AS03208MS-3-R</b> Speaker			Edition	Sheet
							-	1 / 1

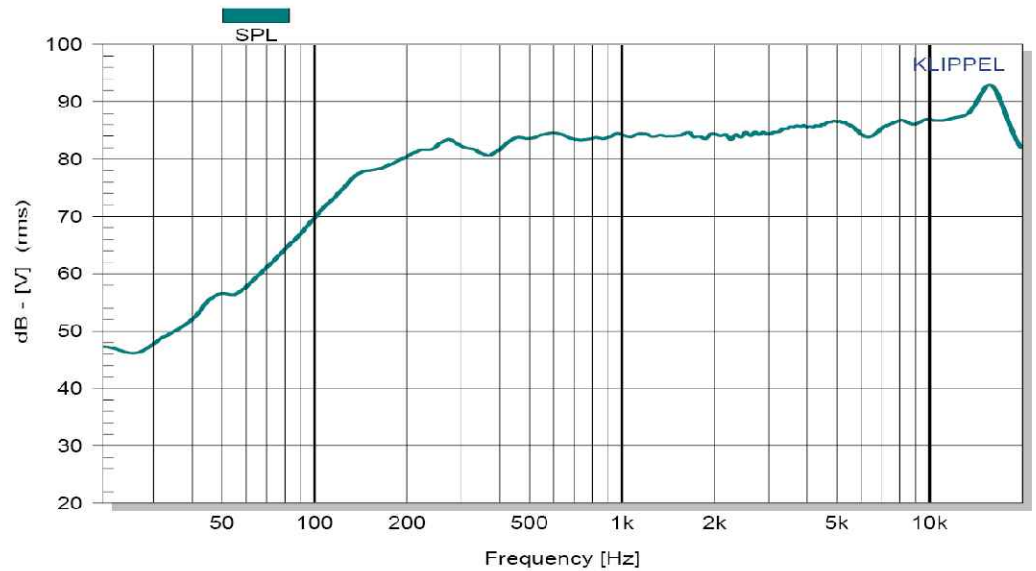
THIS DOCUMENT CONTAINS DATA PROPRIETARY TO PROJECTS UNLIMITED, INC. ANY USE OR REPRODUCTION, IN ANY FORM, WITHOUT PRIOR WRITTEN PERMISSION OF PROJECTS UNLIMITED, INC. IS PROHIBITED.  
© 2005, Projects Unlimited Inc.

### THIELE/SMALL PARAMETERS


PARAMETERS	VALUES
DC RESISTANCE (Re)	7.57
INDUCTANCE (Le) @ 1kHz	0.36
MAXIMUM IMPEDANCE (Zm)	41 OHMS
MECHANICAL Q FACTOR (Qms)	4.07
ELECTRICAL Q FACTOR (Qes)	0.92
TOTAL Q FACTOR (Qts)	0.75
EQUIVALENT AIR VOLUME (Vas)	0.05 LITERS
VOICE COIL DIAMETER	14 mm
XMAX ((VOICE COIL HEIGHT - GAP)/2)	1.5 mm
XMECH (MAXIMUM EXCURSION BEFORE DAMAGE)	2.5 mm
RECOMMENDED SEALED ENCLOSURE VOLUME RANGE	0.05~1 LITERS
RECOMMENDED PORTED VOLUME AND TUNING FREQUENCY	0.25L, 90 Hz (-3 dB) 85 Hz



REVISIONS			
LTR	DESCRIPTION	DATE	APPROVED
-	RELEASED FROM ENGINEERING	5/12/16	



- High fidelity design for consumer applications where sound quality matters
- Great sensitivity and power handling for a speaker this size
- IP65 rated speaker face for outdoor use
- Works well in a wide range of enclosure volumes

<small>UNLESS OTHERWISE SPECIFIED: ALL PURCHASES ARE SUBJECT TO THE PUI AUDIO TERMS AND CONDITIONS SALE FOUND AT <a href="http://www.puiaudio.com/pdf/terms_conditions.pdf">http://www.puiaudio.com/pdf/terms_conditions.pdf</a> (paper copy available upon request). DIMENSIONS ARE IN MILLIMETERS, TOLERANCES ARE ±0.5 AND ANGLES ARE ±3°.</small>		 <p><b>pui audio</b> inc a projects unlimited company</p>	3541 Stop Eight Road Dayton, Ohio 45414								
<table border="1"> <tr> <th>APPROVALS</th> <th>DATE</th> </tr> <tr> <td>DRAWN <i>M.V.</i></td> <td>5/16</td> </tr> <tr> <td>CHECKED <i>M.V.</i></td> <td>5/16</td> </tr> <tr> <td>APPROVED <i>B.R.</i></td> <td>5/16</td> </tr> </table>	APPROVALS			DATE	DRAWN <i>M.V.</i>	5/16	CHECKED <i>M.V.</i>	5/16	APPROVED <i>B.R.</i>	5/16	<h2>SPEAKER</h2>
APPROVALS	DATE										
DRAWN <i>M.V.</i>	5/16										
CHECKED <i>M.V.</i>	5/16										
APPROVED <i>B.R.</i>	5/16										
		<table border="1"> <tr> <th>SIZE</th> <th>DRAWING NO.</th> </tr> <tr> <td>A</td> <td>AS03208MS-3-R</td> </tr> </table>	SIZE	DRAWING NO.	A	AS03208MS-3-R	<table border="1"> <tr> <th>PARAMETERS</th> </tr> <tr> <td>SCALE: N.T.S.</td> </tr> </table>	PARAMETERS	SCALE: N.T.S.	<table border="1"> <tr> <td>SHEET 1 OF 1</td> </tr> </table>	SHEET 1 OF 1
SIZE	DRAWING NO.										
A	AS03208MS-3-R										
PARAMETERS											
SCALE: N.T.S.											
SHEET 1 OF 1											

# Mouser Electronics

Authorized Distributor

Click to View Pricing, Inventory, Delivery & Lifecycle Information:

[PUI Audio:](#)

[AS03208MS-3-R](#)