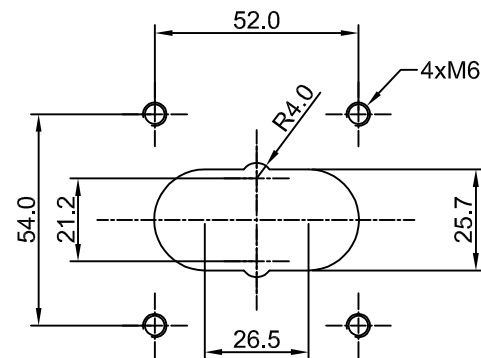
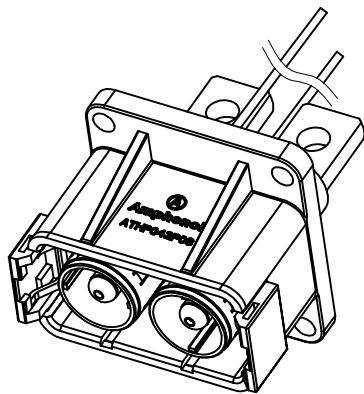
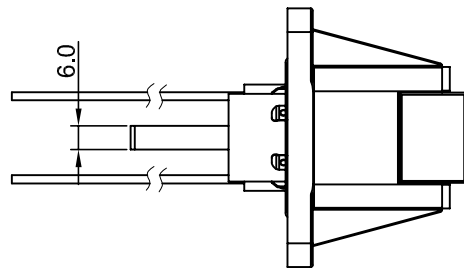
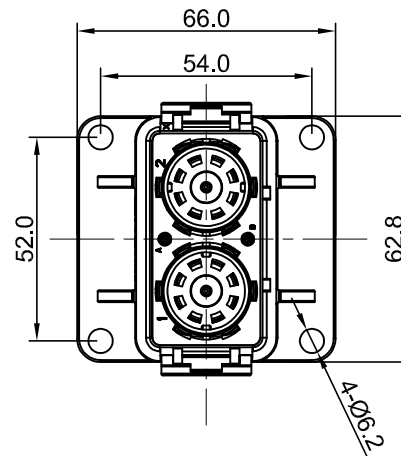
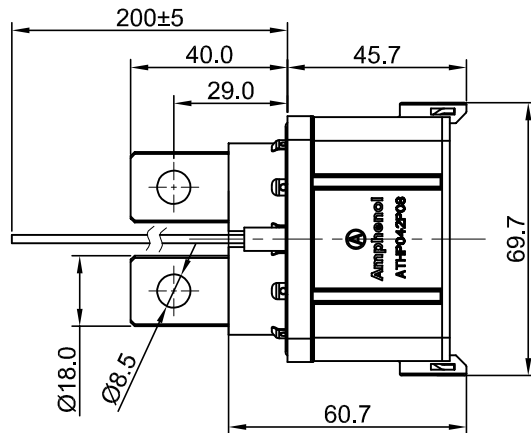


REVISIONS					
REV	ECO	DESCRIPTION	DATE	BY	APPR
A1	-	RELEASE NEW DRAWING	May,10,17	Regan	Tommy

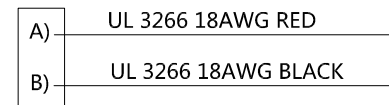


RECOMMEND PANEL CUT
Dimensions tolerance: ±0.05

NOTES: UNLESS OTHERWISE SPECIFIED

- MATERIAL:
 - HOUSING: THERMOPLASTIC UL 94V0
 - SEAL: SILICONE RUBBER
 - POWER CONTACT: COPPER ALLOY, SILVER PLATED
 - SHIELDING: COPPER ALLOY, TIN PLATED
- SPECIFICATIONS:
 - CURRENT RATING: 50mm²@180 AMPS
 - VOLTAGE RATING: 1000 V AC/DC
 - OPERATING TEMPERATURE: -40°C TO +130°C
 - DIELECTRIC WITHSTANDING VOLTAGE: LESS THAN 2 MILLIAMPS CURRENT LEAKAGE @ 3000 VOLTS AC.
 - INSULATION RESISTANCE: 500 MEGOHMS MIN@25°C.
 - DEGREE OF PROTECTION: IP67 (MATED CONDITION)
 - MATING CYCLE DURABILITY: 100 CYCLES
 - RoHS COMPLIANT
- SIGNAL CONTACT: RT SERIES 16# PIN CONTACT
POWER CONTACT: SC000445-8
- ALL DIMENSIONS ARE FOR REFERENCE USE ONLY.

Wiring Diagram



QUANTITY	PART NUMBER	DESCRIPTION	ITEM
MATERIALS LIST			
UNLESS OTHERWISE SPECIFIED 1) All dimensions are in metric (mm). 2) Tolerances are as follows: 1 PL DEC ±0.30 2 PL DEC ±0.15 3 PL DEC ±0.08 3) Note reference =		Amphenol Sine Systems - www.amphenol-sine.com 44724 Morley Drive Clinton Township, MI 48036	
SIGNATURES: DRAWN: Regan, CHECKED: Tod, ENGINEER: [blank], APPROVAL: Tommy, CUSTOMER: [blank]		DATE: May,10,17, May,10,17, May,10,17	
MATERIAL SPECIFICATIONS: [blank]		THIS DRAWING IS SUPPLIED FOR INFORMATION ONLY. DESIGN FEATURES, SPECIFICATIONS AND PERFORMANCE DATA SHOWN HEREON ARE THE PROPERTY OF THE AMPHENOL CORPORATION. NO RIGHTS OF REPRODUCTION ARE IMPLIED. ALL DIMENSIONS ARE SUBJECT TO NORMAL MANUFACTURING VARIATIONS.	
PROCESS SPECIFICATIONS: [blank]		SIZE: B C-	TYPE: ATHP042P08EL16-H1
NEXT ASSY: [blank]		SCALE: NONE	REVISION: A1
			SHEET 1 OF 1

TITLE: ATHP RECEPTACLE 2 PIN, 8MM FLANG MOUNTING WITH EMC SHIELDING
 DWG NO.: ATHP042P08EL16-H1
 REV: A1
 SH: 1
 OF: 1

Mouser Electronics

Authorized Distributor

Click to View Pricing, Inventory, Delivery & Lifecycle Information:

[Amphenol:](#)

[ATHP042P08EL16-H1](#)