

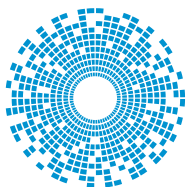


# RJ45 D38999

## Series C-RJFTV

### Rugged Solutions

Based on the rugged D38999 shell and high performance RJ45, Cinch Connectivity Solutions' RJ45 D38999 provides Ethernet connectivity in harsh environments. A unique design reduces the footprint to the markets smallest, size 17 which can be used to transmit 1G Base-T Ethernet.



**cinch**  
CONNECTIVITY SOLUTIONS  
a bel group

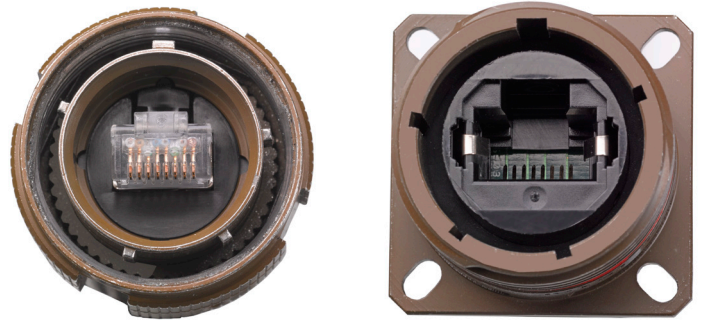




# Series C-RJFTV

## Main Characteristics

- D38999 series III style shell
- EMI protection with shielded cable
- Shell sizes 17 and 19, which is the smallest size on the market today and allows for communications speeds through 1G Base-T Ethernet
- Available in a variety of metals and plating's
- Minimum of 500 mating cycles
- Sealed to IP68
- Four keyways available



## Data transmission

- 10 Base-T, 100 Base-T, and 1G Base-T Ethernet
- High performance connectivity, up to 100 MHz

## Applications

- Harsh Environment Connectivity
- Military Communication
- Railway
- Oil and Gas
- Renewable Energy Industry

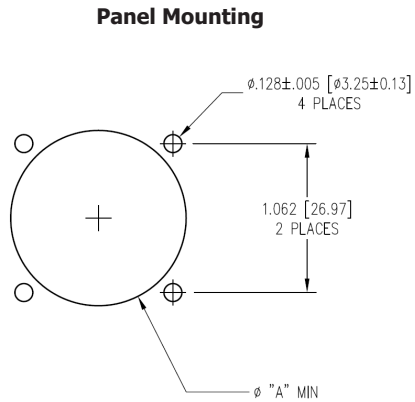


# Series C-RJFTV

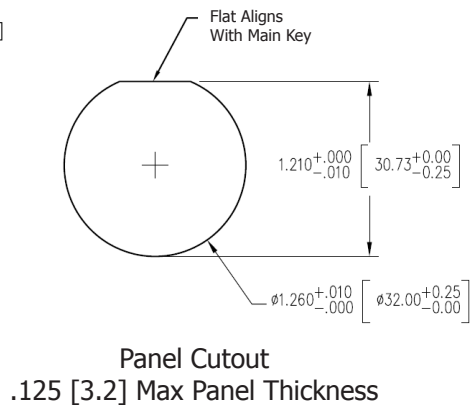
## Recommended Panel Dimensions

Panel Mounting Side	"A" Diameter Inches [mm]
Front	1.016 [25.81]
Rear	1.219 [30.96]
If Back Shell is Used When Front Mounting, "A" = 1.219 [30.96]	

Panel Cutout  
.125 [3.2] Max Panel Thickness



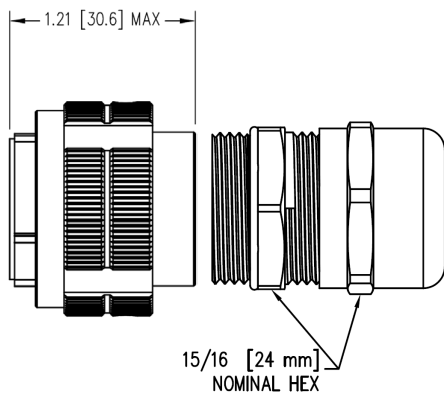
### Jam Nut Mounting



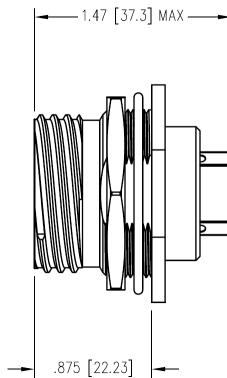
Panel Cutout  
.125 [3.2] Max Panel Thickness

\*For Information on Size 19 Panel Dimensions, Contact Factory

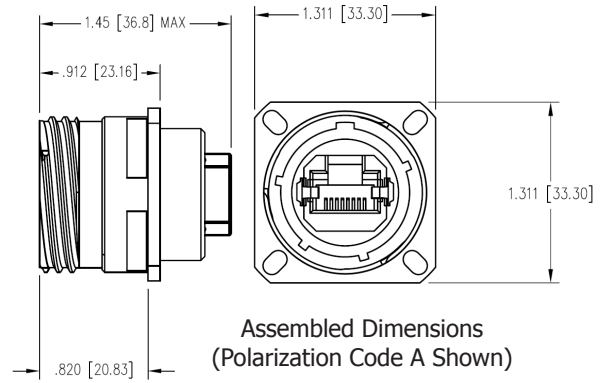
### Plug



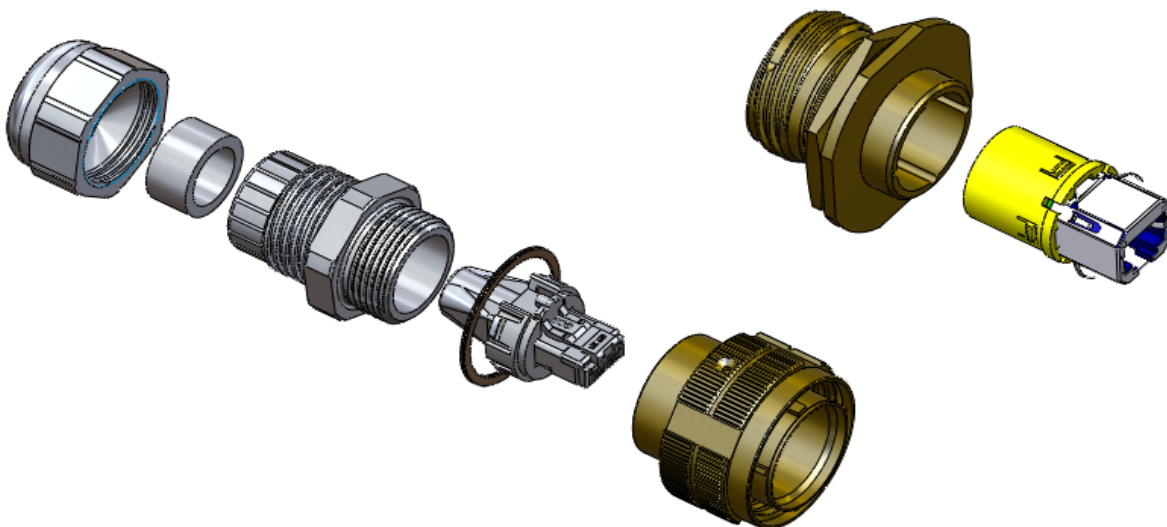
### Receptacle



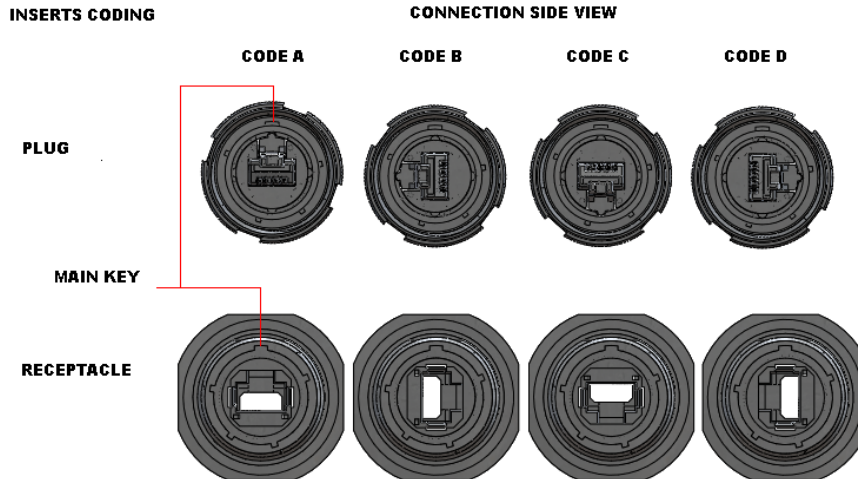
### Square Flange Receptacle



Assembled Dimensions  
(Polarization Code A Shown)



# How to Order RJ45 D38999, Series C-RJFTV



Series	C-RJFTV	5E	17	06	1	G	03	K123
RJ45 38999 series III								
Performance	5E - Suited for 10 BaseT, 100 BaseT, 1G BaseT							
Shell size	17 - Size 17 19 - Size 19							
Shell Type	02 - Receptacle, square flange 02BS - Receptacle, square flange, IP68 backshell, plastic gland 02BSM - Receptacle, square flange, IP68 backshell, metal gland 06P - Plug, straight, plastic gland 06M - Plug, straight, metal gland 07 - Receptacle, jamnut 07BS - Receptacle, jamnut, IP68 backshell, plastic gland 07BSM - Receptacle, jamnut, IP68 backshell, metal gland							
Back end termination (omit for shell type 06)	1 - RJ45, Female, Straight							
Shell material and plating	G - Aluminum shell, olive drab plating N - Aluminum shell, nickel plating (RoHS) SS - Stainless steel, passivated (RoHS) BZ - Marine bronze (RoHS)							
Cordset length	03 - 0.3 meter 05 - 0.5 meter 10 - 1.0 meter 15 - 1.5 meter							
Modification code								



Asia Pacific  
+86 21 5442 7668  
ccs.asia.sales@as.cinch.com

Europe, Middle East & Africa  
+44 (0) 1245 342060  
CinchConnectivity@eu.cinch.com

North America  
+1 507.833.8822  
ccsorders@us.cinch.com  
[cinch.com](http://cinch.com)



# Mouser Electronics

Authorized Distributor

Click to View Pricing, Inventory, Delivery & Lifecycle Information:

## Cinch Connectivity Solutions:

[C-RJFTV5E1706PN05](#) [C-RJFTV5E17071G](#) [C-RJFTV5E1707BS1N](#) [C-RJFTV5E1706PG15](#) [C-RJFTV5E17021N](#) [C-RJFTV5E1706MG03](#) [C-RJFTV5E1706MG15](#) [C-RJFTV5E1706PN10](#) [C-RJFTV5E1706MG05](#) [C-RJFTV5E1706PN03](#) [C-RJFTV5E1707BS1G](#) [C-RJFTV5E1706PN15](#) [C-RJFTV5E1706MN10](#) [C-RJFTV5E17071N](#) [C-RJFTV5E17021G](#) [C-RJFTV5E1702BS1N](#) [C-RJFTV5E1706PG10](#) [C-RJFTV5E1706MN05](#) [C-RJFTV5E1706MN03](#) [C-RJFTV5E1706MG10](#) [C-RJFTV5E1706PG03](#) [C-RJFTV5E1702BS1G](#) [C-RJFTV5E1706PG05](#) [C-RJFTV5E1706MN15](#)