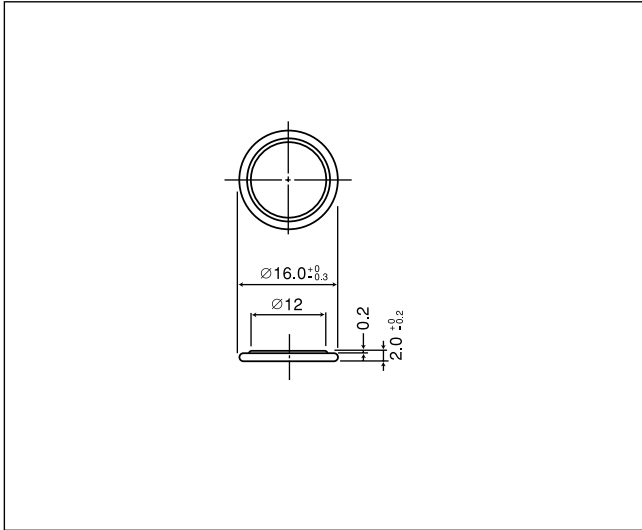


# CR1620

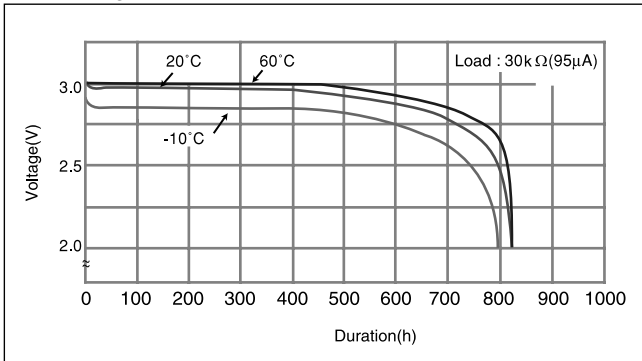
## ■ Dimensions(mm)



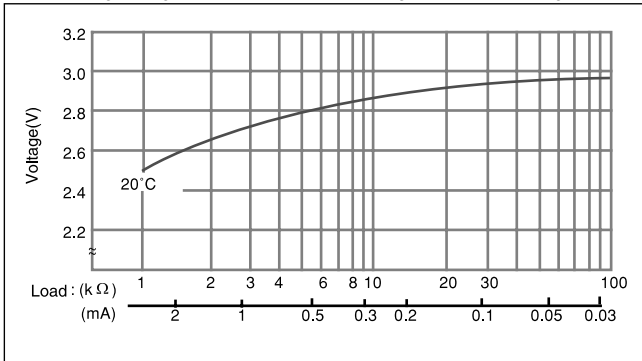
## ■ Specification

|                                  |            |
|----------------------------------|------------|
| <b>Nominal voltage(V)</b>        | 3          |
| <b>Nominal capacity(mAh)</b>     | 75         |
| <b>Continuous drain(mA)</b>      | 0.1        |
| <b>Operating temperature(°C)</b> | -30 to +60 |

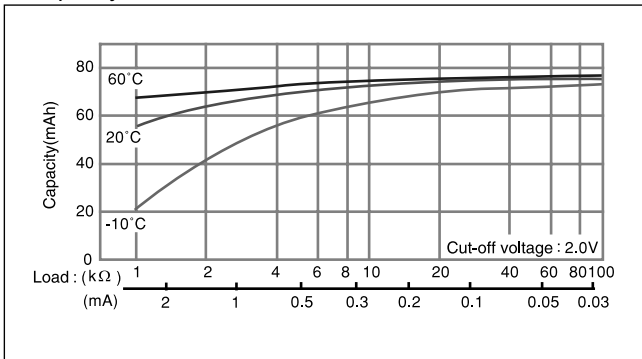
## ■ Discharge temperature characteristics



## ■ Operating voltage vs. load resistance(voltage at 50% discharge depth)

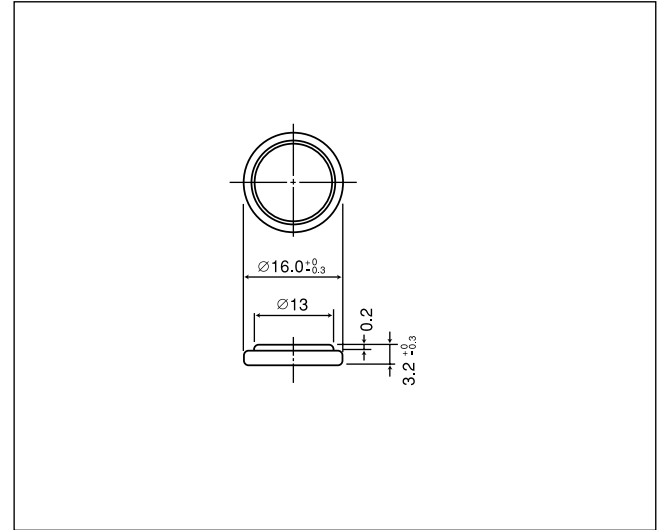


## ■ Capacity vs. load resistance



# CR1632

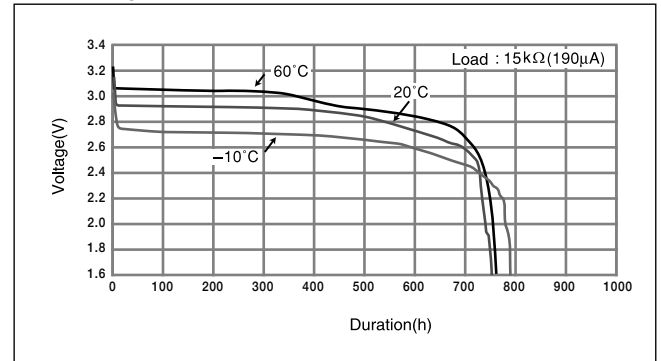
## ■ Dimensions(mm)



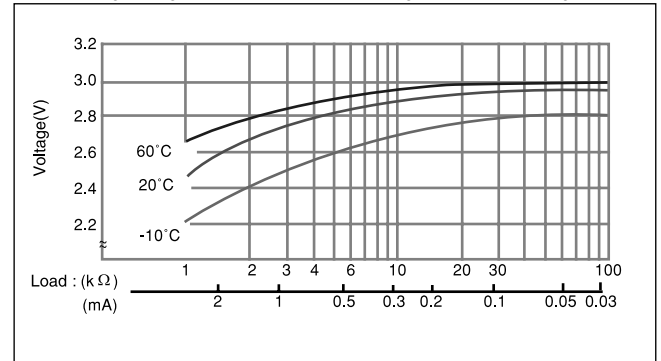
## ■ Specification

|                                  |            |
|----------------------------------|------------|
| <b>Nominal voltage(V)</b>        | 3          |
| <b>Nominal capacity(mAh)</b>     | 140        |
| <b>Continuous drain(mA)</b>      | 0.1        |
| <b>Operating temperature(°C)</b> | -30 to +60 |

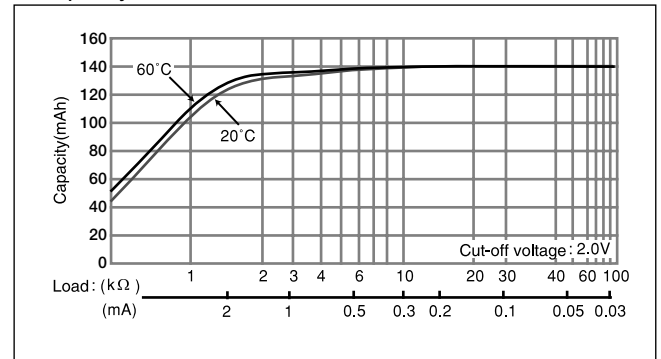
## ■ Discharge temperature characteristics



## ■ Operating voltage vs. load resistance(voltage at 50% discharge depth)



## ■ Capacity vs. load resistance



\* The data in this document are for descriptive purposes only and are not intended to make or imply any guarantee or warranty.

# Mouser Electronics

Authorized Distributor

Click to View Pricing, Inventory, Delivery & Lifecycle Information:

[Panasonic:](#)

[CR-1632/V1AN](#) [CR-1632/HFN](#) [CR-1632/F2N](#)