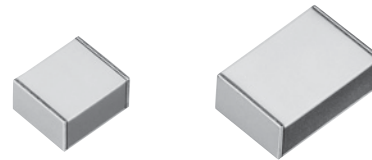


Stacked Metallized PEN Film Chip Capacitor

Type : **ECWU(C)**

Stacked metallized PEN film as dielectric with simple mold-less construction



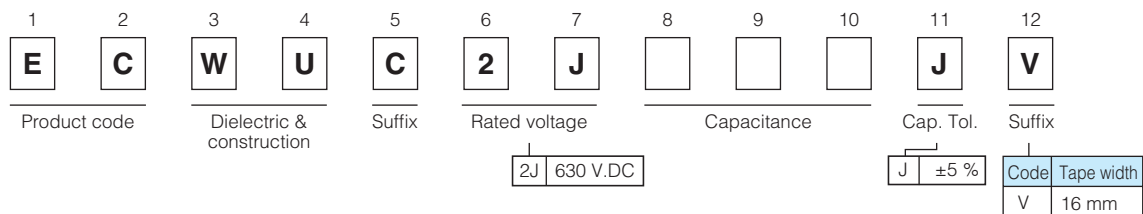
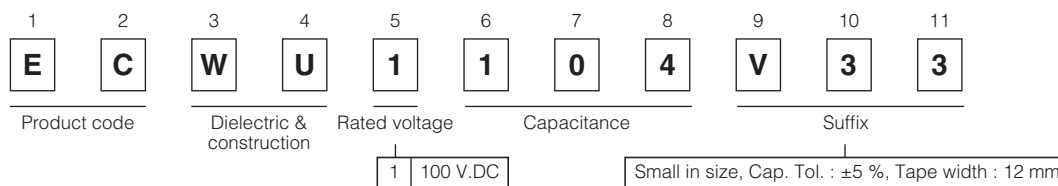
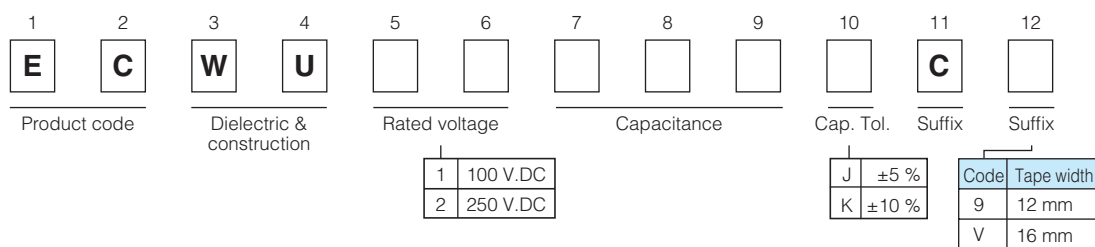
Features

- Small in size
- For reflow soldering
- RoHS directive compliant

Recommended applications

- General purpose (Coupling, By-pass)

Explanation of part number



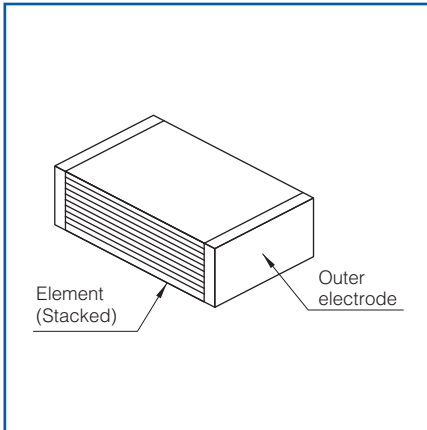
Specifications

Category temp. range (Including temperature-rise on unit surface)	- 55 °C to +125 °C	
Rated voltage	100 V.DC, 250 V.DC, 630 V.DC (Derating of rated voltage by 1.25 %/°C more than 85 °C)	
Capacitance range	100 V.DC	0.012 μF to 1.0 μF (E12)
	250 V.DC	0.0010 μF to 0.12 μF (E12)
	630 V.DC	0.022 μF, 0.027 μF, 0.033 μF
Capacitance tolerance	100 V.DC	±5 % (J), ±10 % (K) (C ≥ 0.18 μF : ±10 % (K) Only)
	250 V.DC	±5 % (J), ±10 % (K)
	630 V.DC	±5 % (J)
Dissipation factor (tan δ)	tan δ ≤ 1.0 % (20 °C, 1 kHz)	
Withstand voltage	Between terminals : Rated volt. (V.DC) × 150 %, 60 s	
Insulation resistance (IR)	C ≤ 0.33 μF	100 V.DC, 250 V.DC, 630 V.DC : IR ≥ 3000 MΩ (20 °C, 100 V.DC, 60 s)
	C > 0.33 μF	100 V.DC : IR ≥ 1000 MΩ·μF (20 °C, 100 V.DC, 60 s)
Soldering conditions	100 V.DC	Reflow soldering : 250 °C max. and 60 s max. at more than 220 °C
	250 V.DC	(Temp. at capacitor surface)
	630 V.DC	Reflow soldering : 250 °C max. and 60 s to 150 s. at more than 217 °C (Temp. at cap. surface)

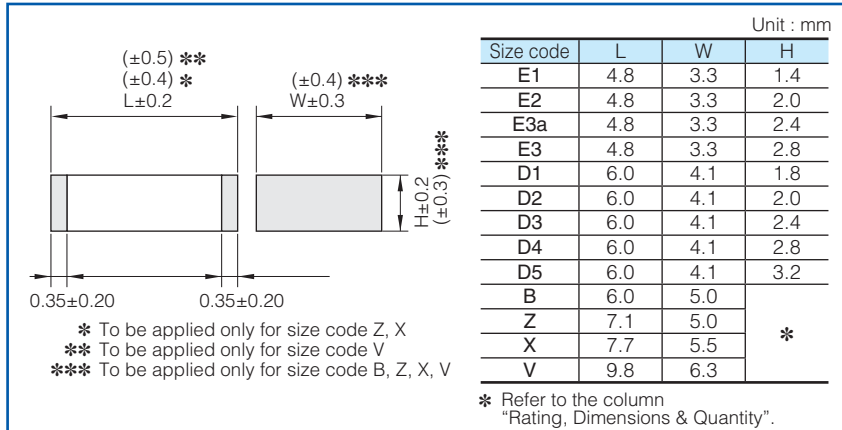
* In case of applying voltage in alternating current (50 Hz or 60 Hz sine wave) to a capacitor with DC rated voltage, please refer to the page of "Permissible voltage (R.M.S) in alternating current corresponding to DC rated voltage".

* Please consult us for capacitance range between 0.15 μF and 1.0 μF. (250 V.DC)

Construction



Dimensions



Taping specification for automatic mounting

Refer to the page of taping specifications

Rating · Dimensions · Quantity

● Capacitance tolerance : ±5 % (J), ±10 % (K)

Capacitance (μF)	Rated voltage 100 V.DC						Rated voltage 250 V.DC					
	Part No.	Dimensions (mm)			Size code	Q'ty	Part No.	Dimensions (mm)			Size code	Q'ty
		L	W	H				L	W	H		
0.0010						ECWU2102□C9	4.8	3.3	1.4	E1	3000	
0.0012						ECWU2122□C9	4.8	3.3	1.4	E1		
0.0015						ECWU2152□C9	4.8	3.3	1.4	E1		
0.0018						ECWU2182□C9	4.8	3.3	1.4	E1		
0.0022						ECWU2222□C9	4.8	3.3	1.4	E1		
0.0027						ECWU2272□C9	4.8	3.3	1.4	E1		
0.0033						ECWU2332□C9	4.8	3.3	1.4	E1		
0.0039						ECWU2392□C9	4.8	3.3	1.4	E1		
0.0047						ECWU2472□C9	4.8	3.3	1.4	E1		
0.0056						ECWU2562□C9	4.8	3.3	1.4	E1		
0.0068						ECWU2682□C9	4.8	3.3	1.4	E1		
0.0082						ECWU2822□C9	4.8	3.3	1.4	E1		
0.010						ECWU2103□C9	4.8	3.3	1.4	E1		
0.012	ECWU1123□C9	4.8	3.3	1.4	E1	ECWU2123□C9	4.8	3.3	1.4	E1		2000
0.015	ECWU1153□C9	4.8	3.3	1.4	E1	ECWU2153□C9	4.8	3.3	1.4	E1		
0.018	ECWU1183□C9	4.8	3.3	1.4	E1	ECWU2183□C9	4.8	3.3	2.0	E2		
0.022	ECWU1223□C9	4.8	3.3	1.4	E1	ECWU2223□C9	4.8	3.3	2.0	E2		
0.027	ECWU1273□C9	4.8	3.3	1.4	E1	ECWU2273□C9	4.8	3.3	2.4	E3a		
0.033	ECWU1333□C9	4.8	3.3	1.4	E1	ECWU2333□C9	4.8	3.3	2.8	E3		
0.039	ECWU1393□C9	4.8	3.3	1.4	E1	ECWU2393□C9	6.0	4.1	2.0	D2		
0.047	ECWU1473□C9	4.8	3.3	2.0	E2	ECWU2473□C9	6.0	4.1	2.4	D3		
0.056	ECWU1563□C9	4.8	3.3	2.0	E2	ECWU2563□C9	6.0	4.1	2.8	D4		
0.068	ECWU1683□C9	4.8	3.3	2.4	E3a	ECWU2683□C9	6.0	4.1	3.2	D5		
0.082	ECWU1823□C9	4.8	3.3	2.8	E3	ECWU2823□C9	6.0	5.0	3.2	B		
0.10	ECWU1104□C9	6.0	4.1	1.8	D1	ECWU2104□C9	6.0	5.0	3.8	B	1500	
	ECWU1104V33	4.8	3.3	2.8	E3							
0.12	ECWU1124□C9	6.0	4.1	2.4	D3	ECWU2124□C9	6.0	5.0	4.5	B		
0.15	ECWU1154□C9	6.0	4.1	2.8	D4							
0.18	ECWU1184KC9	7.1	5.0	2.0	Z							
0.22	ECWU1224KC9	7.1	5.0	2.4	Z							
0.27	ECWU1274KC9	7.1	5.0	2.9	Z							
0.33	ECWU1334KC9	7.1	5.0	3.5	Z							
0.39	ECWU1394KCV	7.7	5.5	3.4	x							
0.47	ECWU1474KCV	7.7	5.5	4.0	x							
0.56	ECWU1564KCV	9.8	6.3	3.0	V							
0.68	ECWU1684KCV	9.8	6.3	3.6	V							
0.82	ECWU1824KCV	9.8	6.3	4.3	V							
1.0	ECWU1105KCV	9.8	6.3	5.1	V							

* □ : Capacitance tolerance

Rating · Dimensions · Quantity

- Capacitance tolerance : $\pm 5\%$ (J)

Capacitance (μF)	Rated voltage 630 V.DC					Size code	Q'ty
	Part No.	Dimensions (mm)					
		L	W	H			
0.022	ECWUC2J223JV	7.1	6.3	3.6	Y	1000	
0.027	ECWUC2J273JV	7.1	6.3	4.1	Y		
0.033	ECWUC2J333JV	7.1	6.3	5.1	Y		

Recommended for land dimensions

Electrode

Land

A

B

C

Unit : mm

Size code	Land dimensions		
	Reflow soldering		
	A	B	C
E1, E2, E3a, E3	2.6	6.6	3.0
D1, D2, D3, D4, D5	3.8	7.8	3.8
B	3.8	7.8	4.6
Z	4.5	9.0	4.6
Y	4.5	9.0	5.7
X	5.1	9.7	5.0
V	7.2	11.9	5.7

* It is not warrantable that you can mount the capacitor without trouble under all the mounting condition when "Recommender for Land dimensions" is adopted.

Mouser Electronics

Authorized Distributor

Click to View Pricing, Inventory, Delivery & Lifecycle Information:

Panasonic:

[ECW-U2104JC9](#) [ECW-U1104KC9](#) [ECW-U2182JC9](#) [ECW-U1104JC9](#) [ECW-U1105KCV](#) [ECW-U1123KC9](#) [ECW-U1124JC9](#) [ECW-U1153JC9](#) [ECW-U1154JC9](#) [ECW-U1154KC9](#) [ECW-U1183JC9](#) [ECW-U1184KC9](#) [ECW-U1223JC9](#) [ECW-U1224KC9](#) [ECW-U1273JC9](#) [ECW-U1333JC9](#) [ECW-U1334KC9](#) [ECW-U1394KCV](#) [ECW-U1473JC9](#) [ECW-U1474KCV](#) [ECW-U1564KCV](#) [ECW-U1683JC9](#) [ECW-U1684KCV](#) [ECW-U1823JC9](#) [ECW-U1824KCV](#) [ECW-U1C124JC9](#) [ECW-U1C154JC9](#) [ECW-U1C184JC9](#) [ECW-U1C224JC9](#) [ECW-U1C274JC9](#) [ECW-U1C334JC9](#) [ECW-U1C394JC9](#) [ECW-U1C474JC9](#) [ECW-U1H104JC9](#) [ECW-U1H154JC9](#) [ECW-U1H184JC9](#) [ECW-U1H224JC9](#) [ECW-U1H563JC9](#) [ECW-U1H683JC9](#) [ECW-U1H823JC9](#) [ECW-U2102JC9](#) [ECW-U2102KC9](#) [ECW-U2103KC9](#) [ECW-U2104KC9](#) [ECW-U2122KC9](#) [ECW-U2123KC9](#) [ECW-U2152KC9](#) [ECW-U2153KC9](#) [ECW-U2154KCV](#) [ECW-U2182KC9](#) [ECW-U2183KC9](#) [ECW-U2184KCV](#) [ECW-U2222KC9](#) [ECW-U2223KC9](#) [ECW-U2224KCV](#) [ECW-U2272KC9](#) [ECW-U2273KC9](#) [ECW-U2274KCV](#) [ECW-U2332KC9](#) [ECW-U2333JC9](#) [ECW-U2333KC9](#) [ECW-U2334KCV](#) [ECW-U2393KC9](#) [ECW-U2394KCV](#) [ECW-U2472KC9](#) [ECW-U2473KC9](#) [ECW-U2474KCV](#) [ECW-U2562KC9](#) [ECW-U2564KCZ](#) [ECW-U2682KC9](#) [ECW-U2683KC9](#) [ECW-U2822KC9](#) [ECW-U2823KC9](#) [ECW-UC2J223JV](#) [ECW-UC2J273JV](#) [ECW-UC2J333JV](#) [ECW-U2563KC9](#) [ECW-U2473JC9](#) [ECW-U1123JC9](#) [ECW-U1124KC9](#) [ECW-U1153KC9](#) [ECW-U1183KC9](#) [ECW-U1223KC9](#) [ECW-U1273KC9](#) [ECW-U1274KC9](#) [ECW-U1333KC9](#) [ECW-U1393JC9](#) [ECW-U1393KC9](#) [ECW-U1394KC9](#) [ECW-U1473KC9](#) [ECW-U1563JC9](#) [ECW-U1563KC9](#) [ECW-U1683KC9](#) [ECW-U1823KC9](#) [ECW-U1H124JC9](#) [ECW-U2103JC9](#) [ECW-U2122JC9](#) [ECW-U2123JC9](#) [ECW-U2124JC9](#) [ECW-U2124KC9](#)