

**PRODUCT SPECIFICATIONS:**

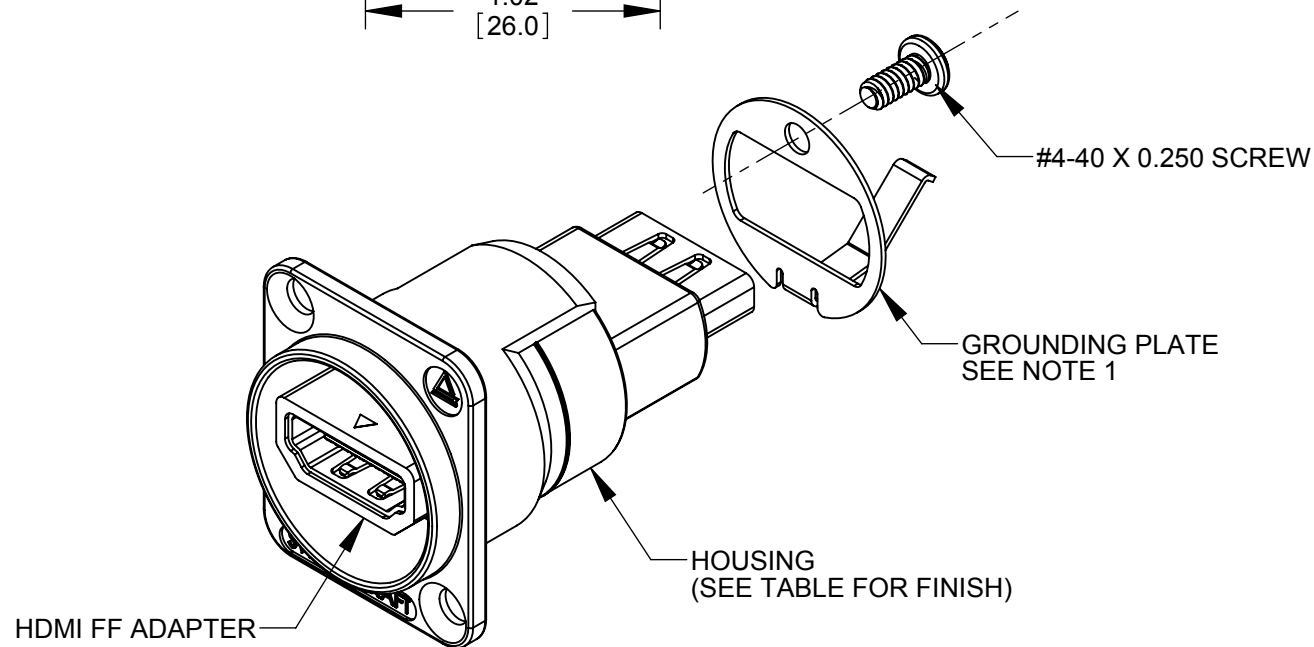
**ELECTRICAL**  
 CURRENT RATING: 1A  
 CONTACT RESISTANCE: 3 ohm  
 INSULATION RESISTANCE: 10M ohm  
 DIELECTRIC W/V: 300 VDC

**ENVIRONMENTAL**  
 THERMAL SHOCK: MIL-STD 202G METHOD 107G  
 SALT SPRAY: MIL-STD 202G METHOD 101E  
 TEMPERATURE LIMITS: -20°C TO +80°C

**MECHANICAL**  
 VIBRATION: MIL-STD 202G METHOD 201A

**MATERIALS**  
 SCREW: STAINLESS STEEL  
 GROUND PLATE: NICKEL PLATED, COPPER ALLOY  
 HOUSING: ZINC ALLOY, SEE TABLE FOR FINISH  
 HDMI BODY: THERMOPLASTIC, BLACK  
 HDMI CONNECTOR:  
 CONTACTS: GOLD PLATED, COPPER ALLOY  
 SHELL: NICKEL PLATED, COPPER ALLOY

PART NUMBER	HOUSING FINISH
EHHDMI2	NICKEL
EHHDMI2B	BLACK CHROME



**CUSTOMER DRAWING**

**NOTES:**

- GROUNDING PLATE MAY BE REMOVED BY REMOVING SCREW.
- THESE PARTS ARE RoHS COMPLIANT.

REV	ECO NUMBER	DATE	BY	APVD
B	27441	1-20-15	TO	TJK
A	26973	6-15-12	TO	TJK

UNLESS OTHERWISE SPECIFIED

- ALL DIMENSIONS IN INCHES
- TWO PLACE DECIMALS ±0.02
- THREE PLACE DECIMALS ±0.005

DO NOT SCALE DRAWING

THIS DRAWING DESCRIBES A DESIGN CONSIDERED PROPRIETARY IN NATURE, DEVELOPED AND MANUFACTURED BY SWITCHCRAFT INC. AND IS RELEASED ON A CONFIDENTIAL BASIS FOR IDENTIFICATION PURPOSES ONLY.

SIZE	WIDTH	MULT	LBS/M	TEMPER
FINISH		MATERIAL		
SPEC No.		SPEC No.		
FIRST USED ON		SCALE		
		1.5:1		
DATE DRAWN	BY	CHKD TO	APVD TJK	
4/20/11	JGK	10-25-13	10-25-13	
NAME			PART No.	REV
EH SERIES HDMI FEED-THRU, RoHS			EHHDMI2_SERIES	<b>B</b>

**Switchcraft**<sup>®</sup>

SHEET 1 OF 1

# Mouser Electronics

Authorized Distributor

Click to View Pricing, Inventory, Delivery & Lifecycle Information:

[Switchcraft:](#)

[EHHDMI2BPKG](#) [EHHDMI2B](#) [EHHDMI2](#) [EHHDMI2PKG](#) [EHMDP2PKG](#)