

## Precision Thick Film Chip Resistors

Type: **ERJ XG, 1G**  
**ERJ 1R, 2R, 3R, 6R**  
**ERJ 3E, 6E, 8E, 14, 12, 1T**



### Features

- Small size and lightweight
- High reliability  
Metal glaze thick film resistive element and three layers of electrodes
- Compatible with placement machines  
Taping packaging available
- Suitable for both reflow and flow soldering
- Low Resistance Tolerance  
ERJXG, 1G, 2R, 3E, 6E, 8E, 14, 12, 1T Type : ±1 %  
ERJ1R, 2R, 3R, 6R Type : ±0.5 %
- Reference Standards  
IEC 60115-8, JIS C 5201-8, EIAJ RC-2134B
- AEC-Q200 qualified (Exemption ERJXG, ERJ1R)
- RoHS compliant

■ **As for Packaging Methods, Land Pattern, Soldering Conditions and Safety Precautions,**  
 Please see Data Files

### Explanation of Part Numbers

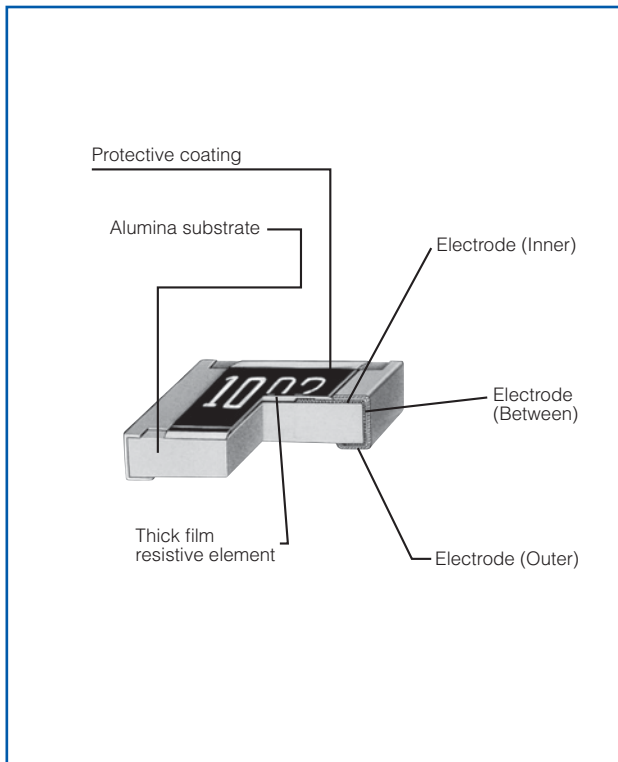
- ERJ1R, 2R, 3R, 6R Type, ±0.5 %



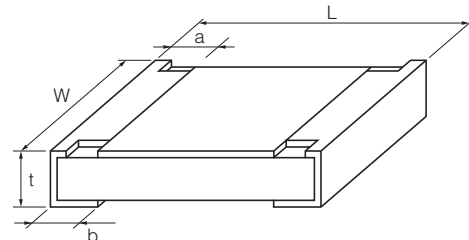
● ERJXG, 1G, 2R, 3E, 6E, 8E, 14, 12, 1T Type,  $\pm 1\%$



## Construction



## Dimensions in mm (not to scale)



Part No. (inch size)	Dimensions (mm)					Mass (Weight) [g/1000 pcs.]
	L	W	a	b	t	
ERJXG (01005)	0.40 $^{+0.02}$	0.20 $^{+0.02}$	0.10 $^{+0.03}$	0.10 $^{+0.03}$	0.13 $^{+0.02}$	0.04
ERJ1G, 1R (0201)	0.60 $^{+0.03}$	0.30 $^{+0.03}$	0.10 $^{+0.05}$	0.15 $^{+0.05}$	0.23 $^{+0.03}$	0.15
ERJ2R□ (0402)	1.00 $^{+0.05}$	0.50 $^{+0.05}$	0.20 $^{+0.10}$	0.25 $^{+0.05}$	0.35 $^{+0.05}$	0.8
ERJ3R□ ERJ3EK (0603)	1.60 $^{+0.15}$	0.80 $^{+0.15}$ $^{-0.05}$	0.30 $^{+0.20}$	0.30 $^{+0.15}$	0.45 $^{+0.10}$	2
ERJ6R□ ERJ6EN (0805)	2.00 $^{+0.20}$	1.25 $^{+0.10}$	0.40 $^{+0.20}$	0.40 $^{+0.20}$	0.60 $^{+0.10}$	4
ERJ8EN (1206)	3.20 $^{+0.05}$ $^{-0.20}$	1.60 $^{+0.05}$ $^{-0.15}$	0.50 $^{+0.20}$	0.50 $^{+0.20}$	0.60 $^{+0.10}$	10
ERJ14N (1210)	3.20 $^{+0.20}$	2.50 $^{+0.20}$	0.50 $^{+0.20}$	0.50 $^{+0.20}$	0.60 $^{+0.10}$	16
ERJ12N (1812)	4.50 $^{+0.20}$	3.20 $^{+0.20}$	0.50 $^{+0.20}$	0.50 $^{+0.20}$	0.60 $^{+0.10}$	27
ERJ12S (2010)	5.00 $^{+0.20}$	2.50 $^{+0.20}$	0.60 $^{+0.20}$	0.60 $^{+0.20}$	0.60 $^{+0.10}$	27
ERJ1TN (2512)	6.40 $^{+0.20}$	3.20 $^{+0.20}$	0.65 $^{+0.20}$	0.60 $^{+0.20}$	0.60 $^{+0.10}$	45

## Ratings

<±0.5 %>

Part No. (inch size)	Power Rating at 70 °C (W)	Limiting Element Voltage <sup>(1)</sup> (V)	Maximum Overload Voltage <sup>(2)</sup> (V)	Resistance Tolerance (%)	Resistance Range (Ω)	T.C.R. (×10 <sup>-6</sup> /°C)	Category Temperature Range (°C)
ERJ1RH (0201)	0.05	15	30	±0.5	1 k to 1 M (E24, E96)	±50	-55 to +125
ERJ2RH (0402)	0.063	50	100	±0.5	100 to 100 k (E24, E96)	±50	-55 to +125
ERJ2RK (0402)	0.063	50	100	±0.5	10 to 97.6 102 k to 1 M (E24, E96)	±100	-55 to +125
ERJ3RB (0603)	0.1	50	100	±0.5	100 to 100 k (E24, E96)	±50	-55 to +125
ERJ3RE (0603)	0.1	50	100	±0.5	10 to 97.6 102 k to 1 M (E24, E96)	±100	-55 to +125
ERJ6RB (0805)	0.1	150	200	±0.5	100 to 100 k (E24, E96)	±50	-55 to +125
ERJ6RE (0805)	0.1	150	200	±0.5	10 to 97.6 102 k to 1 M (E24, E96)	±100	-55 to +125

<±1 %>

Part No. (inch size)	Power Rating at 70 °C (W)	Limiting Element Voltage <sup>(1)</sup> (V)	Maximum Overload Voltage <sup>(2)</sup> (V)	Resistance Tolerance (%)	Resistance Range (Ω)	T.C.R. (×10 <sup>-6</sup> /°C)	Category Temperature Range (°C)
ERJXGN (01005)	0.031	15	30	±1	10 to 1 M (E24, E96)	<100 Ω : ±300 100 Ω ≤ : ±200	-55 to +125
ERJ1GN (0201)	0.05	25	50	±1	10 to 1 M <sup>(3)</sup> (E24, E96)	±200	-55 to +125
ERJ2RK (0402)	0.1	50	100	±1	10 to 1 M <sup>(3)</sup> (E24, E96)	±100	-55 to +155
ERJ3EK (0603)	0.1	75	150	±1	10 to 1 M (E24, E96)	±100	-55 to +155
ERJ6EN (0805)	0.125	150	200	±1	10 to 2.2 M (E24, E96)	±100	-55 to +155
ERJ8EN (1206)	0.25	200	400	±1	10 to 2.2 M (E24, E96)	±100	-55 to +155
ERJ14N (1210)	0.5	200	400	±1	10 to 1 M (E24, E96)	±100	-55 to +155
ERJ12N (1812)	0.75	200	500	±1	10 to 1 M (E24, E96)	±100	-55 to +155
ERJ12S (2010)	0.75	200	500	±1	10 to 1 M (E24, E96)	±100	-55 to +155
ERJ1TN (2512)	1	200	500	±1	10 to 1 M (E24, E96)	±100	-55 to +155

(1) Rated Continuous Working Voltage (RCWV) shall be determined from  $RCWV = \sqrt{\text{Power Rating} \times \text{Resistance Values}}$ , or Limiting Element Voltage listed above, whichever less.

(2) Overload (Short-time Overload) Test Voltage (SOTV) shall be determined from  $SOTV = 2.5$  (Only ERJ2RK ±1% = 2.0) × RCWV or max. Overload Voltage listed above whichever less.

(3) Please contact us when you need a type with a resistance of less than 10 Ω.

### Power Derating Curve

For resistors operated in ambient temperatures above 70 °C, power rating shall be derated in accordance with the figure on the right.



# Mouser Electronics

Authorized Distributor

Click to View Pricing, Inventory, Delivery & Lifecycle Information:

## Panasonic:

[ERJ-2RKF30R1X](#) [ERJ-3EKF10R0V](#) [ERJ-3EKF3480V](#) [ERJ-3EKF1741V](#) [ERJ-3EKF5231V](#) [ERJ-3EKF1022V](#) [ERJ-3EKF2742V](#) [ERJ-6ENF49R9V](#) [ERJ-3EKF4642V](#) [ERJ-2RKF1100X](#) [ERJ-2RKF1300X](#) [ERJ-2RKF6653X](#) [ERJ-14NF3092U](#) [ERJ-8ENF68R1V](#) [ERJ-2RKF1540X](#) [ERJ-2RKF17R4X](#) [ERJ-3EKF1621V](#) [ERJ-12SF3320U](#) [ERJ-14NF3600U](#) [ERJ-6ENF1052V](#) [ERJ-6ENF1242V](#) [ERJ-6ENF1582V](#) [ERJ-6ENF7682V](#) [ERJ-2RKF7500X](#) [ERJ-6ENF8061V](#) [ERJ-14NF20R0U](#) [ERJ-2RKF1623X](#) [ERJ-8ENF1742V](#) [ERJ-12SF20R0U](#) [ERJ-12SF30R9U](#) [ERJ-6ENF4991V](#) [ERJ-3EKF2210V](#) [ERJ-3EKF2490V](#) [ERJ-3EKF2491V](#) [ERJ-3EKF2552V](#) [ERJ-3EKF2871V](#) [ERJ-3EKF3920V](#) [ERJ-3EKF5112V](#) [ERJ-3EKF5361V](#) [ERJ-3EKF6811V](#) [ERJ-3EKF7151V](#) [ERJ-3EKF75R0V](#) [ERJ-14NF1002U](#) [ERJ-14NF4751U](#) [ERJ-14NF1000U](#) [ERJ-3EKF1240V](#) [ERJ-12SF2490U](#) [ERJ-3EKF1132V](#) [ERJ-3EKF9091V](#) [ERJ-2RKF7872X](#) [ERJ-6ENF1372V](#) [ERJ-2RKF1151X](#) [ERJ-2RKF33R2X](#) [ERJ-2RKF35R7X](#) [ERJ-2RKF56R2X](#) [ERJ-2RKF61R9X](#) [ERJ-3EKF8062V](#) [ERJ-3EKF9532V](#) [ERJ-6ENF51R1V](#) [ERJ-6ENF2491V](#) [ERJ-12NF1212U](#) [ERJ-12SF1004U](#) [ERJ-12SF6192U](#) [ERJ-3EKF1210V](#) [ERJ-12NF2001U](#) [ERJ-2RKF22R0X](#) [ERJ-8ENF1103V](#) [ERJ-8ENF2491V](#) [ERJ-8ENF2493V](#) [ERJ-8ENF4423V](#) [ERJ-8ENF4993V](#) [ERJ-14NF4750U](#) [ERJ-6ENF3921V](#) [ERJ-2RKF1583X](#) [ERJ-2RKF1693X](#) [ERJ-2RKF1820X](#) [ERJ-2RKF2943X](#) [ERJ-2RKF3650X](#) [ERJ-2RKF71R5X](#) [ERJ-6ENF3401V](#) [ERJ-12SF1501U](#) [ERJ-6ENF3482V](#) [ERJ-8ENF5762V](#) [ERJ-6ENF30R0V](#) [ERJ-6ENF30R1V](#) [ERJ-6ENF3000V](#) [ERJ-6ENF3001V](#) [ERJ-6ENF3002V](#) [ERJ-6ENF3012V](#) [ERJ-6ENF3013V](#) [ERJ-6ENF3090V](#) [ERJ-6ENF3091V](#) [ERJ-6ENF3092V](#) [ERJ-6ENF3093V](#) [ERJ-6ENF31R6V](#) [ERJ-6ENF3160V](#) [ERJ-6ENF2700V](#) [ERJ-6ENF3003V](#) [ERJ-6ENF2800V](#) [ERJ-6ENF1912V](#)