



Housing Material: Polyester, Black UL94V-0
 Contacts: Phosphor Bronze 30µin Au plating over Ni
 Leads: Matte Sn over Ni
 Shield: Cu Alloy with Ni plating 40µin min
 Durability: 1000 mating cycles
 Dimensions: Inch [mm]
 Tolerances: ±0.008 inch if not specified

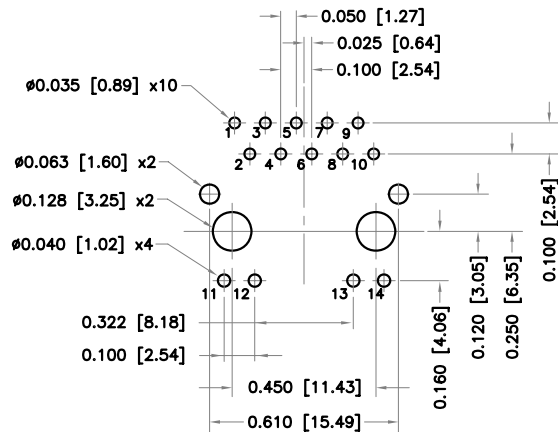
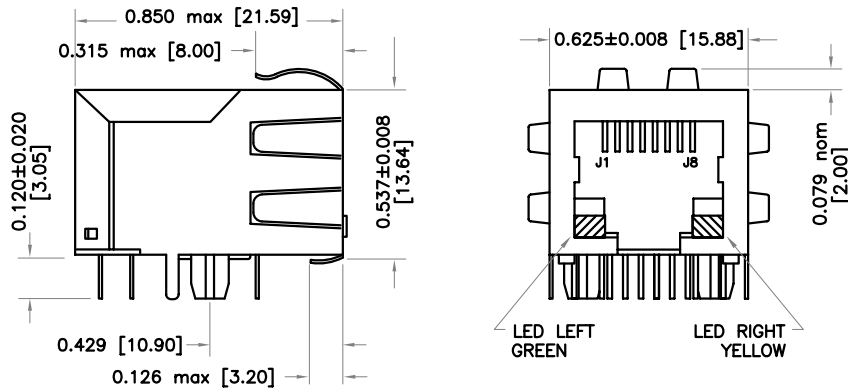


PART NO. : HFJ11-RP22E-L12RL

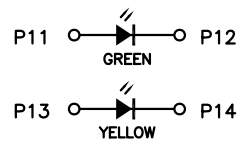
FASTJACK™ WITH 10/100BASE-TX MAGNETICS
 POWER ON USED OR UNUSED PAIRS UP TO 350mADC
 RoHS COMPLIANT
 OPERATING TEMPERATURE 0 TO 55°C

ELECTRICAL SPECIFICATIONS @ 25° C

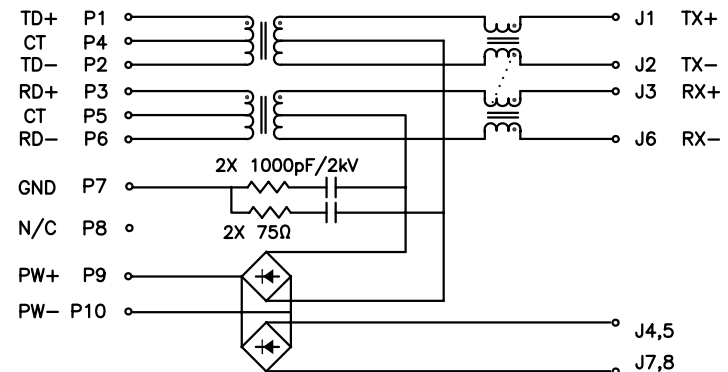
URNS RATIO	1CT:1 ±3%
OCL (100KHz,0.1Vrms,8mA)	350µH min
DCR P1-P2,P3-P6	0.9Ω max
INSERTION LOSS	-1.1dB max
0.1-100MHz	
RETURN LOSS	-18dB min
0.5-30MHz	-15.5dB min
40MHz	-13.6dB min
50MHz	-12dB min
60-80MHz	
CROSSTALK 0.1-100MHz	-38dB typ
CMR 0.1-30MHz	-50dB typ
30-60MHz	-40dB typ
60-100MHz	-30dB typ
ISOLATION	1,500Vrms



RECOMMENDED P.C. BOARD PATTERN (COMP. SIDE)



LED FORWARD VOLTAGE/
 CURRENT: 2.1V/10mA typ



LINE



HALO/PBL

CALIFORNIA, USA
 KOWLOON, HONG KONG
 SINGAPORE

TITLE	FastJack™ SINGLE	SIGNATURES	DATE	REV.	DESC.	DATE
FOR	FAST ETHERNET IEEE802.3af	DRAWN	LI ZHI ZHONG	11/2/05	A	FIRST ISSUE
PART NO.	HFJ11-RP22E-L12RL	CHECKED	LEI KEONG	7/20/10	B	PROD. RELEASE
SCALE	NONE	APPROVED	PETER LU	7/20/10		
PAGE	1 OF 1	FILE	RP22E-L12RL.DWG			

Mouser Electronics

Authorized Distributor

Click to View Pricing, Inventory, Delivery & Lifecycle Information:

[HALO Electronics:](#)

[HFJ11-RP22E-L12RL](#)