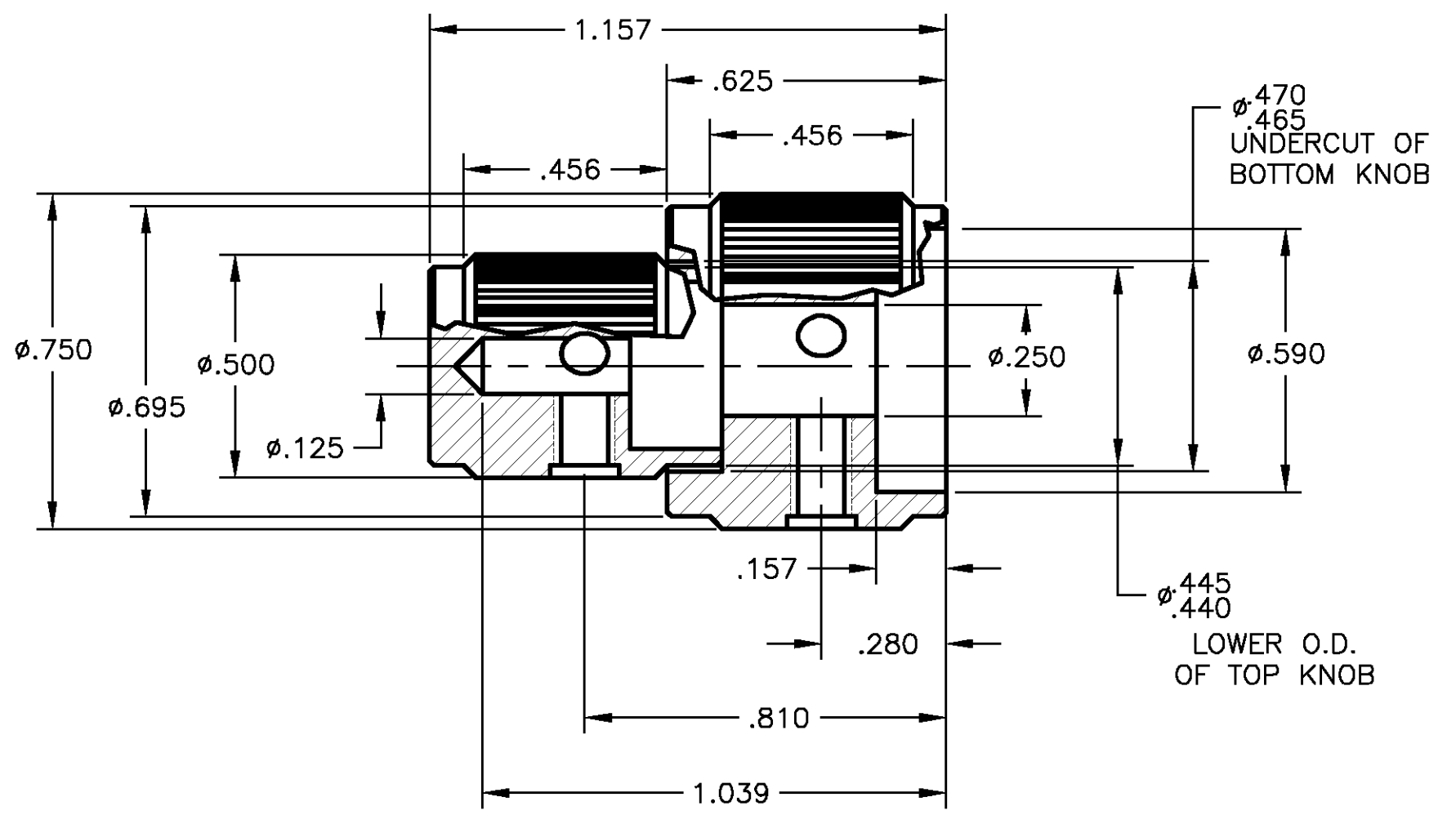
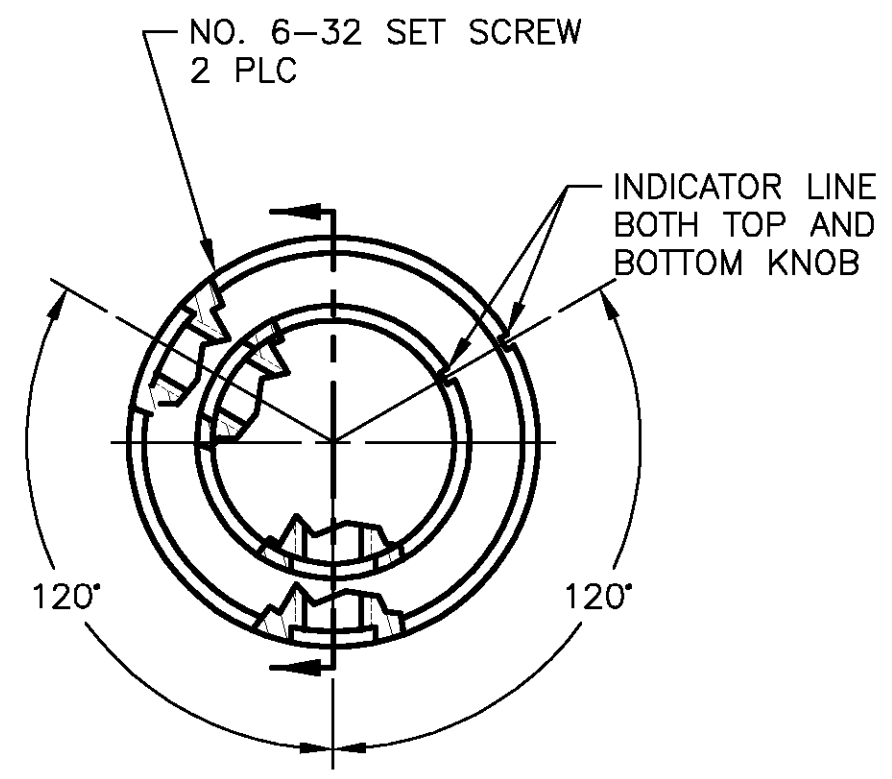


LOC	DIST	REVISIONS					
AD	00	P	LTR	DESCRIPTION	DATE	DWN	APVD
			A	REV PER EC OG3C-340-02	03DEC02	MB	MZ



- 1 KNOB: ALUMINUM; SET SCREWS: STAINLESS STEEL
- 2 FINISH: ANODIZED - SEE TABLE
- 3. WAS DRAWING NUMBER 80257

WHITE LACQUER	BLACK	KN5700B1/4	5-1437622-7
BLACK LACQUER	NATURAL	KN5700A1/4	5-1437622-6
INDICATOR LINE	FINISH	MODEL NUMBER	PART NUMBER
2 COLOR			

THIS DRAWING IS A CONTROLLED DOCUMENT.		DWN M.BINNER	03DEC02	<b>tyco</b> Electronics		Tyco Electronics Corporation Harrisburg, PA 17105	
DIMENSIONS: INCHES		CHK M.ZITTO	-	NAME			
TOLERANCES UNLESS OTHERWISE SPECIFIED:		APVD M.ZITTO	-	KNOB, STRAIGHT KNURL HAIRLINE INDICATOR (KN-5700)			
0 PLC ± -		PRODUCT SPEC	-	SIZE	CAGE CODE	DRAWING NO	RESTRICTED TO
1 PLC ± -		APPLICATION SPEC	-	A3	00779	5-1437622-6	-
2 PLC ± -		WEIGHT	-	CUSTOMER DRAWING		SCALE	SHEET
3 PLC ± .008						3:1	1 OF 1
4 PLC ± -							REV
ANGLES ± -							A
FINISH							
1							
2							

# Mouser Electronics

Authorized Distributor

Click to View Pricing, Inventory, Delivery & Lifecycle Information:

[TE Connectivity:](#)

[KN5700B1/4](#)