



LF SERIES
FUSE BLOCK
TECHNICAL
BROCHURE



Expertise Applied | Answers Delivered

Now Available!
Full Line of Fuse Blocks
and Covers



**Smaller Footprint
Provides Space Savings**



**DIN-Rail Mounting
Eases Installation**



**Indication Improves
Functionality**

An Indication of Value

Littelfuse understands the challenge of constantly improving OEM products—that's why we developed a brand new line of next-generation fuse blocks.

The LF Series fuse blocks. Smaller. More efficient. More valuable to the user. These products meet design and business objectives, provide value and differentiate OEM products from the competition.

LF SERIES CLASS J FUSE BLOCKS

600 V



Description

The Littelfuse 600 V Class J blocks offer generous space savings and enhanced value over previous generations, such as indication, snap-to-release DIN rail mounting and universal mounting holes.

Features/Benefits

- Space-saving design—up to 45% smaller than existing blocks
- Universal mounting holes for easy replacement
- Indication offered on all versions except 200–600 A
- One hand release from DIN rail for ferrule style fuses
- Reinforced fuse clips are standard on all Class J blocks
- Covers available for 100 A and lower to enhance safety

Specifications

Voltage Ratings:	600 V
Ampere Ratings:	0 – 600 A
Leakage Current:	<0.6 mA at 600 V
Flammability Rating:	UL94 V-0
Approvals:	UL Listed: File No. E14721 CSA Certified: File No. LR7316 RoHS Compliant, Lead (Pb) Free
Environmental:	

Recommended Fuses

Time Delay
Series: JTD_ID
Series: JTD

Fast Acting
Series: JLS

For information about Touch-Safe Class J fuse holders:
www.littelfuse.com/lpsj

Web Resources

Sample requests, downloadable CAD drawings, fuse block cover datasheet and other technical information:
www.littelfuse.com/fuseblocks
www.littelfuse.com/lfj

Ordering Information (Class J 600 V)

AMP RATING	POLES	ORDERING NUMBER				TORQUE	TERMINAL	WIRE RANGE	WIRE TYPE	BASE TEMP RATING	DIN RAIL MOUNT	INDICATION	COVER ORDERING NUMBER*
		BASE PART NUMBER	BOX LUG	SUFFIX PRESSURE PLATE	SCREW								
30	1	LFJ600301	CID	PID	SID	2.8 N-m (25 in-lbs)	C	6-14 AWG	CU Only	125°C	•	•	LFJ60030FBC
	2	LFJ600302	CID	PID	SID		P	10-14 AWG					
	3	LFJ600303	CID	PID	SID		S	10-22 AWG					
60	1	LFJ600601	CID	—	—	5.6 N-m (50 in-lbs)	2-4 AWG		CU-AL	125°C	•	•	LFJ60060FBC
	2	LFJ600602	CID	—	—	2.8 N-m (25 in-lbs)	6-14 AWG						
	3	LFJ600603	CID	—	—								
100	1	LFJ601001	CID	—	—	13.6 N-m (120 in-lbs)	2/0-6 AWG		CU-AL	130°C	—	•	LFJ60100FBC
	3	LFJ601003	CID	—	—	4.5 N-m (40 in-lbs)	8 AWG						
						4.0 N-m (35 in-lbs)	10-14 AWG						
200	1	LFJ602001	C	—	—	31.1 N-m (275 in-lbs)	250 kcmil-6		CU-AL	130°C	—	—	—
	3	LFJ602003	C	—	—								
400	1	LFJ604001	C	—	—	31.1 N-m (275 in-lbs)	(2) 350 kcmil-1/0		CU-AL	130°C	—	—	—
	3	LFJ604003	C	—	—								
600	1	LFJ606001	C	—	—	42.4 N-m (375 in-lbs)	(2) 500 kcmil-4		CU-AL	130°C	—	—	—
	3	LFJ606003	C	—	—								

Note: Reinforcing springs standard on all Class J fuse blocks.
*Covers sold individually. One cover needed for each pole.

LF SERIES CLASS H/K5 AND R FUSE BLOCKS



Description

The Littelfuse Class H/K5 and R blocks offer many benefits such as indication, snap-to-release DIN rail mounting and universal mounting holes. Class H and Class R fuse blocks are dimensionally the same, but Class R blocks incorporate a rejection feature, which only allows Class R fuses to be inserted.

Features/Benefits

- Universal mounting holes for easy replacement
- Indication offered on most 250 V and 600 V versions
- One hand release from DIN rail for ferrule style fuses
- Reinforced fuse clips are standard on all Class H and Class R fuse blocks
- Covers available for 100 A and lower to enhance safety

Specifications

Voltage Rating: 250 V, 600 V
Ampere Ratings: 0 – 600 A
Leakage Current: <0.6 mA at 600 V
Withstand Rating: Class H: 10 kA RMS SYM
 Class R: 200 kA RMS SYM
Flammability Rating: UL94 V-0
Approvals: UL Listed (File No. E14721)
 CSA Certified (File No. LR7316)
Environmental: RoHS Compliant, Lead (Pb) Free

Recommended Fuses

Class H/K5 Blocks – 250 V	Class H/K5 Blocks – 600 V
NLN	NLS
RLN	RLS
Class R Blocks – 250 V	Class R Blocks – 600 V
FLNR/FLNR_ID	FLSR/FLSR_ID
KLNR	KLSR
LLNRK	LLSRK/LLSRK_ID
TLN	IDSR

Web Resources

Sample requests, downloadable CAD drawings, fuse block cover datasheet and other technical information:
www.littelfuse.com/fuseblocks
www.littelfuse.com/lfh
www.littelfuse.com/lfr

Ordering Information (Class H 250 V)

AMP RATING	POLES	ORDERING NUMBER			TORQUE	TERMINAL	WIRE RANGE	WIRE TYPE	BASE TEMP RATING	DIN RAIL	INDICATION	COVER ORDERING NUMBER*
		BASE PART NUMBER	BOX LUG	SUFFIX PRESSURE PLATE								
30	1	LFH250301	C	P	2.8 N-m (25 in-lbs)	C	6-14 AWG	CU Only	125°C	•	—	LFH25030FBC
	2	LFH250302	C	P		P	10-14 AWG					
	3	LFH250303	C	P		S	10-22 AWG					
60	1	LFH250601	CID	—	5.6 N-m (50 in-lbs)	2-4 AWG		CU-AL	125°C	•	•	LFH25060FBC
	2	LFH250602	CID	—		2.8 N-m (25 in-lbs)	6-14 AWG					
	3	LFH250603	CID	—	13.6 N-m (120 in-lbs)		2/0-6 AWG		CU-AL	130°C	—	•
100	1	LFH251001	CID	—	4.5 N-m (40 in-lbs)	8 AWG						
	3	LFH251003	CID	—	4.0 N-m (35 in-lbs)	10-14 AWG						
200	1	LFH252001	C	—	31.1 N-m (275 in-lbs)	250 kcmil-6		CU-AL	130°C	—	—	—
	3	LFH252003	C	—								
400	1	LFH254001	C	—	31.1 N-m (275 in-lbs)	(2) 350 kcmil-1/0		CU-AL	130°C	—	—	—
	3	LFH254003	C	—								
600	1	LFH256001	C	—	42.4 N-m (375 in-lbs)	(2) 500 kcmil-4		CU-AL	130°C	—	—	—
	3	LFH256003	C	—								

Note: Reinforcing springs standard on all Class H fuse blocks.
 *Covers sold individually. One cover needed for each pole.

LF SERIES CLASS H/K5 AND R FUSE BLOCKS

Ordering Information (Class H 600 V)

AMP RATING	POLES	ORDERING NUMBER			TORQUE	TERMINAL	WIRE RANGE	WIRE TYPE	BASE TEMP RATING	SNAP TO RELEASE	INDICATION	COVER ORDERING NUMBER*
		BASE ORDERING NUMBER	BOX LUG	SUFFIX PRESSURE PLATE								
30	1	LFH600301	CID	PID	SID	2.8 N-m (25 in-lbs)	C	6-14 AWG	CU Only	130°C	•	•
	2	LFH600302	CID	PID	SID		P	10-14 AWG				
	3	LFH600303	CID	PID	SID		S	10-22 AWG				
60	1	LFH600601	CID	—	—	5.6 N-m (50 in-lbs)	—	2-4 AWG	CU-AL	130°C	•	•
	2	LFH600602	CID	—	—		—	—				
	3	LFH600603	CID	—	—		—	—				
100	1	LFH601001	CID	—	—	13.6 N-m (120 in-lbs)	—	2/0-6AWG	CU-AL	130°C	—	•
	3	LFH601003	CID	—	—		—	8 AWG				
	—	—	—	—	—		4.0 N-m (35 in-lbs)	10-14 AWG				
200	1	LFH602001	C	—	—	31.1 N-m (275 in-lbs)	—	250 kcmil-6	CU-AL	130°C	—	—
	3	LFH602003	C	—	—		—	—				
	—	—	—	—	—		—	—				
400	1	LFH604001	C	—	—	31.1 N-m (275 in-lbs)	—	(2) 350 kcmil-1/0	CU-AL	130°C	—	—
	3	LFH604003	C	—	—		—	—				
	—	—	—	—	—		—	—				
600	1	LFH606001	C	—	—	42.4 N-m (375 in-lbs)	—	(2) 500 kcmil-4	CU-AL	130°C	—	—
	3	LFH606003	C	—	—		—	—				
	—	—	—	—	—		—	—				

Note: Reinforcing springs standard on all Class H fuse blocks.

Ordering Information (Class R 250 V)

AMP RATING	POLES	ORDERING NUMBER			TORQUE	TERMINAL	WIRE RANGE	WIRE TYPE	BASE TEMP RATING	SNAP TO RELEASE	INDICATION	COVER ORDERING NUMBER*
		BASE ORDERING NUMBER	BOX LUG	SUFFIX PRESSURE PLATE								
30	1	LFR250301	C	P	S	2.8 N-m (25 in-lbs)	C	6-14 AWG	CU Only	125°C	•	—
	2	LFR250302	C	P	S		P	10-14 AWG				
	3	LFR250303	C	P	S		S	10-22 AWG				
60	1	LFR250601	CID	—	—	5.6 N-m (50 in-lbs)	—	2-4 AWG	CU-AL	125°C	•	•
	2	LFR250602	CID	—	—		—	—				
	3	LFR250603	CID	—	—		—	—				
100	1	LFR251001	CID	—	—	13.6 N-m (120 in-lbs)	—	2/0-6 AWG	CU-AL	130°C	—	•
	3	LFR251003	CID	—	—		—	8 AWG				
	—	—	—	—	—		4.0 N-m (35 in-lbs)	10-14 AWG				
200	1	LFR252001	C	—	—	31.1 N-m (275 in-lbs)	—	250 kcmil-6	CU-AL	130°C	—	—
	3	LFR252003	C	—	—		—	—				
	—	—	—	—	—		—	—				
400	1	LFR254001	C	—	—	31.1 N-m (275 in-lbs)	—	(2) 350 kcmil-1/0	CU-AL	130°C	—	—
	3	LFR254003	C	—	—		—	—				
	—	—	—	—	—		—	—				
600	1	LFR256001	C	—	—	42.4 N-m (375 in-lbs)	—	(2) 500 kcmil-4	CU-AL	130°C	—	—
	3	LFR256003	C	—	—		—	—				
	—	—	—	—	—		—	—				

Note: Reinforcing springs standard on all Class R fuse blocks.

Ordering Information (Class R 600 V)

AMP RATING	POLES	ORDERING NUMBER			TORQUE	TERMINAL	WIRE RANGE	WIRE TYPE	BASE TEMP RATING	SNAP TO RELEASE	INDICATION	COVER ORDERING NUMBER*
		BASE ORDERING NUMBER	BOX LUG	SUFFIX PRESSURE PLATE								
30	1	LFR600301	CID	PID	SID	2.8 N-m (25 in-lbs)	C	6-14 AWG	CU Only	130°C	•	•
	2	LFR600302	CID	PID	SID		P	10-14 AWG				
	3	LFR600303	CID	PID	SID		S	10-22 AWG				
60	1	LFR600601	CID	—	—	5.6 N-m (50 in-lbs)	—	2-4 AWG	CU-AL	130°C	•	•
	2	LFR600602	CID	—	—		—	—				
	3	LFR600603	CID	—	—		—	—				
100	1	LFR601001	CID	—	—	13.6 N-m (120 in-lbs)	—	2/0-6 AWG	CU-AL	130°C	—	•
	3	LFR601003	CID	—	—		—	8 AWG				
	—	—	—	—	—		4.0 N-m (35 in-lbs)	10-14 AWG				
200	1	LFR602001	C	—	—	31.1 N-m (275 in-lbs)	—	250 kcmil-6	CU-AL	130°C	—	—
	3	LFR602003	C	—	—		—	—				
	—	—	—	—	—		—	—				
400	1	LFR604001	C	—	—	31.1 N-m (275 in-lbs)	—	(2) 350 kcmil-1/0	CU-AL	130°C	—	—
	3	LFR604003	C	—	—		—	—				
	—	—	—	—	—		—	—				
600	1	LFR606001	C	—	—	42.4 N-m (375 in-lbs)	—	(2) 500 kcmil-4	CU-AL	130°C	—	—
	3	LFR606003	C	—	—		—	—				
	—	—	—	—	—		—	—				

Note: Reinforcing springs standard on all Class R fuse blocks.

*Covers sold individually. One cover needed for each pole.

LF SERIES CLASS T FUSE BLOCKS



Description

The Littelfuse Class T fuse blocks offer many advantages such as space saving design, universal mounting holes, snap-to-release DIN rail mounts and available covers.

Features/Benefits

- Space-saving design
- Universal mounting holes for easy replacement
- One hand release from DIN rail for 30–60 A fuses
- Reinforced fuse clips are standard
- Covers available for most amperages to enhance safety

Specifications

Voltage Ratings:	300 VAC/600 VAC
Ampere Ratings:	0 – 600 A
Leakage Current:	<0.6 mA at 600 V
Withstand Rating:	200 kA RMS SYM
Flammability Rating:	UL94 V-0
Approvals:	UL Listed (File No. E14721) CSA Certified (File No. LR7316) RoHS Compliant, Lead (Pb) Free
Environmental:	

Recommended Fuses

300 V: JLLN **600 V:** JLLS

Web Resources

Sample requests, downloadable CAD drawings, fuse block cover datasheet and other technical information:

www.littelfuse.com/lft
www.littelfuse.com/fuseblocks

Ordering Information (Class T 300 V)

AMP RATING	ORDERING NUMBER							TORQUE	WIRE RANGE	WIRE TYPE	BASE TEMP RATING	DIN RAIL MOUNT	COVER ORDERING NUMBER*
	BASE ORDERING NUMBER	POLES			TERMINAL SUFFIX								
		1	2	3	BOX LUG	PRESSURE PLATE	SCREW						
30	LFT30030	1	2	3	C	—	—	5.6 N-m (50 in-lbs) 2.8 N-m (25 in-lbs)	2-4 AWG 6-14 AWG	CU-AL Solid/Stranded	125°C	•	LFT30030FBC
60	LFT30060	1	2	3	C	—	—	5.6 N-m (50 in-lbs) 2.8 N-m (25 in-lbs)	2-4 AWG 6-14 AWG				LFT30060FBC
100	LFT30100	1	—	3	CS	—	—	13.6 N-m (120 in-lbs) 4.5 N-m (40 in-lbs) 4.0 N-m (35 in-lbs)	2/0-6 AWG 8 AWG 10-14 AWG	CU-AL Solid/Stranded	130°C	—	LFT30100FBC
200	LFT30200	1	—	3	CS	—	—	31.1 N-m (275in-lb)	250 kcmil-6				—
400	LFT30400	1	—	3	CS	—	—	(2) 31.1 N-m (275in-lb)	250 kcmil-6				—
600	LFT30600	1	—	3	CS	—	—	(2) 42.4 N-m (375in-lb)	500 kcmil-6				—

Ordering Information (Class T 600 V)

AMP RATING	ORDERING NUMBER							TORQUE	WIRE RANGE	WIRE TYPE	BASE TEMP RATING	DIN RAIL MOUNT	COVER ORDERING NUMBER*
	BASE ORDERING NUMBER	POLES			TERMINAL SUFFIX								
		1	2	3	BOX LUG	PRESSURE PLATE	SCREW						
30	LFT60030	1	2	3	C	P	S	5.6 N-m (50 in-lbs) 2.8 N-m (25 in-lbs)	2-4 AWG 6-14 AWG	** see note CU-AL Solid/Stranded	125°C	•	LFT60030FBC
60	LFT60060	1	2	3	C	—	—	5.6 N-m (50 in-lbs) 2.8 N-m (25 in-lbs)	2-4 AWG 6-14 AWG				LFT60060FBC
100	LFT60100	1	—	3	CS	—	—	13.6 N-m (120 in-lbs) 4.5 N-m (40 in-lbs) 4.0 N-m (35 in-lbs)	2/0-6 AWG 8 AWG 10-14 AWG	CU-AL Solid/Stranded	130°C	—	LT60100FBC
200	LFT60200	1	—	3	CS	—	—	31.1 N-m (275in-lb)	250 kcmil-6				LT60200FBC
400	LFT60400	1	—	3	CS	—	—	(2) 31.1 N-m (275in-lb)	250 kcmil-6				LT60400FBC
600	LFT60600	1	—	3	CS	—	—	(2) 42.4 N-m (375in-lb)	500 kcmil-6				LT60600FBC

*Covers sold individually. One cover needed for each pole.
**Wire Type for Pressure Plate and Screw Terminal is CU only

LF SERIES CLASS G FUSE BLOCKS



Description

All Littelfuse Class G fuse blocks offer snap-to-release DIN rail mounting and universal mounting holes. Class G fuse blocks are designed for use with time-delay current limiting Class G fuses.

Features/Benefits

- Universal mounting holes for easy replacement
- One hand release from DIN rail for most amperages
- Meet requirements for branch circuit protection

Specifications

Voltage Ratings: 600 VAC (0–20 A)
480 VAC (25–60 A)

Ampere Ratings: 0–60 A

Flammability Rating: UL94 V-0

Approvals: UL Listed (File No. E14721)
CSA Certified (File No. LR7091)

Recommended Fuses

Time Delay
Series: SLC

Web Resources

For additional technical information visit:
www.littelfuse.com/fuseblocks

Ordering Information (Class G 600 V)

AMP RATING	POLES	ORDERING NUMBER				WIRE TYPE	BASE TEMP RATING	DIN RAIL MOUNT	AMP RATING	TERMINAL INFORMATION			
		BASE PART NUMBER	BOX LUG	PRESSURE PLATE	SCREW					TERMINAL	WIRE RANGE	TORQUE	
15	1	LFG600151	CDINR	PQDINR	SQDINR	CU Only	150° C	•	15	Box Lug	6-14 AWG	4.0 N-m (35 in-lbs)	
	2	LFG600152	CDINR	PQDINR	SQDINR					Pressure Plate	10-14 AWG	2.3 N-m (20 in-lbs)	
	3	LFG600153	CDINR	PQDINR	SQDINR					Screw	10-14 AWG	2.3 N-m (20 in-lbs)	
20	1	LFG600201	CDINR	PQDINR	SQDINR		Solid/Stranded	150° C	•	20	Box Lug	6-14 AWG	4.0 N-m (35 in-lbs)
	2	LFG600202	CDINR	PQDINR	SQDINR						Pressure Plate	10-14 AWG	2.3 N-m (20 in-lbs)
	3	LFG600203	CDINR	PQDINR	SQDINR						Screw	10-14 AWG	2.3 N-m (20 in-lbs)

Ordering Information (Class G 480 V)

AMP RATING	POLES	ORDERING NUMBER				WIRE TYPE	BASE TEMP RATING	DIN RAIL MOUNT	AMP RATING	TERMINAL INFORMATION			
		BASE PART NUMBER	BOX LUG	PRESSURE PLATE	SCREW					TERMINAL	WIRE RANGE	TORQUE	
30	1	LFG480301	CDINR	PQDINR	SQDINR	CU Only	150° C	•	30	Box Lug	6-14 AWG	4.0 N-m (35 in-lbs)	
	2	LFG480302	CDINR	PQDINR	SQDINR					Pressure Plate	10-14 AWG	2.3 N-m (20 in-lbs)	
	3	LFG480303	CDINR	PQDINR	SQDINR					Screw	10-14 AWG	2.3 N-m (20 in-lbs)	
60	1	LFG480601	CDINR	—	—		CU/Al	125° C	•	60	Box Lug	2-4 AWG	5.6 N-m (50 in-lbs)
	2	LFG480602	CDINR	—	—							6-14 AWG	2.8 N-m (25 in-lbs)
	3	LFG480603	CDINR	—	—								

LF SERIES CLASS CC/CD AND MIDGET (10X38 mm) FUSE BLOCKS

600 V



Description

The Littelfuse Class CC, CD and midget blocks offer generous space savings and enhanced value. DIN rail mounting and universal mounting holes are all available. Indication feature on all Class CD fuse blocks.

Features/Benefits

- Space-saving design
- Universal mounting holes for easy replacement
- Indication offered on CD blocks
- One hand release from DIN rail optional
- Rejection feature that prevents the insertion of fuses with lower interrupting rating or voltage ratings
- Clip design reduces resistance and heat
- Non DIN Rail fuse blocks have interlocking feature allowing ganging to produce a fuse block with any number of poles
- Covers available for all amperages to enhance safety

Specifications

Voltage Rating: 600 VAC/600 VDC
Ampere Ratings: Class CC: 30 A
 Class CD: 60 A
Dielectric strength: 1200 V minimum
Clip/terminals: Tin-plated copper alloy
Box lug: Copper
Screw and captive pressure plate: Zinc-plated steel
Base: Thermoplastic
 UL94 V-0 flammability rating
Approvals: Class CC/CD: UL Listed (File No. E14721)
 Class CD: CSA Certified (File No. LR73091)
 Class CC: CSA Certified (File No. LR7316)
 Midget: UL Recognized (File No. E14721)
Environmental: RoHS Compliant, Lead (Pb) Free

Recommended Fuses

Class CC Blocks: CCMR, KLDR, KLKR
Class CD Blocks: CCMR
Midget Blocks: BLF, BLN, BLS, FLA, FLM, FLO, FLU, KKK, KKKD, KLO

Web Resources

Sample requests, downloadable CAD drawings, fuse block cover datasheet and other technical information:
www.littelfuse.com/fuseblocks

Ordering Information (Class CC and Midget 30 A)

AMP RATING	POLES	CLASS CC ORDERING NUMBER		MIDGET ORDERING NUMBER		CONNECTOR TYPE	TORQUE	WIRE RANGE	WIRE TYPE	BASE TEMP	COVER ORDERING NUMBER**
		NON-DIN*	DINR	NON-DIN*	DINR						
30	1	L60030C1C	L60030C1CDINR	L60030M1C	L60030M1CDINR	Box Lug	5.6 N-m (50 in-lbs)	2-4 AWG	CU-AL Solid / Stranded	125°C	SPL001
	2	L60030C2C	L60030C2CDINR	L60030M2C	L60030M2CDINR		2.8 N-m (25 in-lbs)	6-14 AWG			
	3	L60030C3C	L60030C3CDINR	L60030M3C	L60030M3CDINR						
30	1	L60030C1PQ	L60030C1PQDINR	L60030M1PQ	L60030M1PQDINR	Pressure Plate w/Q.C. Terminal	5.6 N-m (50 in-lbs)	2-4 AWG	CU-AL Solid / Stranded	125°C	SPL001
	2	L60030C2PQ	L60030C2PQDINR	L60030M2PQ	L60030M2PQDINR		2.8 N-m (25 in-lbs)	6-14 AWG			
	3	L60030C3PQ	L60030C3PQDINR	L60030M3PQ	L60030M3PQDINR						
30	1	L60030C1SQ	L60030C1SQDINR	L60030M1SQ	L60030M1SQDINR	Screw w/Q.C. Terminal	5.6 N-m (50 in-lbs)	2-4 AWG	CU-AL Solid / Stranded	125°C	SPL001
	2	L60030C2SQ	L60030C2SQDINR	L60030M2SQ	L60030M2SQDINR		2.8 N-m (25 in-lbs)	6-14 AWG			
	3	L60030C3SQ	L60030C3SQDINR	L60030M3SQ	L60030M3SQDINR						

Ordering Information (Class CD 60 A)

AMP RATING	POLES	ORDERING NUMBER	CONNECTOR TYPE	TORQUE	WIRE RANGE	WIRE TYPE	BASE TEMP RATING	DIN RAIL MOUNT	INDICATION	COVER ORDERING NUMBER**		
60	1	LFC600601CID	Box Lug	5.6 N-m (50 in-lbs)	2-4 AWG	CU-AL Solid / Stranded	125°C	•	•	LFC60060FBC		
	2	LFC600602CID									2.8 N-m (25 in-lbs)	6-14 AWG
	3	LFC600603CID										

* Gangable

**Covers sold individually. One cover needed for each pole.

Note: Quick Connect Terminals are rated at 20 A

LF SERIES FUSE BLOCK COVERS



Specifications

Connection:	Snap to fuse body
Molded Base:	Black thermoplastic
Flammability Rating:	UL94 V-0
Approvals:	UL Listed (File No. E184929)
CSA Certified	(File No. 007316_0_000 Class 6225-01)

Features/Benefits

- Added safety to personnel
- Ventilated to avoid fuse derating
- Reusable
- UL listed and CSA certified
- Available for Class H/R, Class J, Class T and Class CD
- Convenient snap-on feature
- Allows visibility of indicator fuse block light

Web Resources

For the most current fuse block information or sample requests, visit www.littelfuse.com/fuseblocks

Description

Littelfuse fuse block covers protect personnel from accidentally coming into contact with energized parts. Covers are for use with various UL class fuse blocks. Please, review the ordering information for available covers.

Ordering Information

UL CLASS	FUSE BLOCK BASE PART NUMBER*	VOLTAGE	AMPERAGE	COVER ORDERING NUMBER
Class H/R	LFH25030 / LFR25030	250	30	LFH25030FBC
Class H/R	LFH25060 / LFR25030	250	60	LFH25060FBC
Class H/R	LFH25100 / LFR25100	250	100	LFH25100FBC
Class H/R	LFH60030 / LFR60030	600	30	LFH60030FBC
Class H/R	LFH60060 / LFR60060	600	60	LFH60060FBC
Class H/R	LFH60100 / LFR60100	600	100	LFH60100FBC
Class J	LFJ60030	600	30	LFJ60030FBC
Class J	LFJ60060	600	60	LFJ60060FBC
Class J	LFJ60100	600	100	LFJ60100FBC
Class T	LFT30030	300	30	LFT30030FBC
Class T	LFT30060	300	60	LFT30060FBC
Class T	LFT30100	300	100	LFT30100FBC
Class T	LFT60030	600	30	LFT60030FBC
Class T	LFT60060	600	60	LFT60060FBC
Class T	LFT60100	600	100	LT60100FBC
Class T	LFT60200	600	200	LT60200FBC
Class T	LFT60400	600	400	LT60400FBC
Class T	LFT60600	600	600	LT60600FBC
Class CD	LFC60060	600	60	LFC60060FBC
Class CC	L60030C	600	30	SPL001

* Part number shown excludes reference to number of poles and terminal type

LF SERIES FEATURES

UL CLASS	VOLTAGE	AMPERAGE CASE SIZE	DIN RAIL MOUNTABLE	INDICATION	UNIVERSAL MOUNTING HOLES	SMALLEST AVAILABLE WIDTH*	COVER AVAILABLE
H/K5	250 V 600 V	30	√	600 V only	√	250 V: 2P & 3P 600 V: All	√
		60	√	√	√		√
		100		√	√	600 V only	√
		200			√	√	
		400			√	√	
		600			√	√	
R	250 V 600 V	30	√	600 V only	√	250 V: 2P & 3P 600 V: All	√
		60	√	√	√		√
		100		√	√	600 V only	√
		200			√	√	
		400			√	√	
		600			√	√	
J	600 V	30	√	√	√	√	√
		60	√	√	√		√
		100		√	√	2P only	√
		200			√	√	
		400			√	√	
		600			√	√	
T	300 V 600 V	30	√		√	√	√
		60	√		√	√	√
		100			√	√	√
		200			√	√	√
		400			√	1P only	√
		600			√	√	√
G	480 V	30	√		√	1P & 2P	
		60	√		√	1P & 2P	
	600 V	15	√		√	1P & 2P	
		20	√		√	1P & 2P	
CC	600 V	30	√		√		
CC†	600 V	60	√	√	√	√	

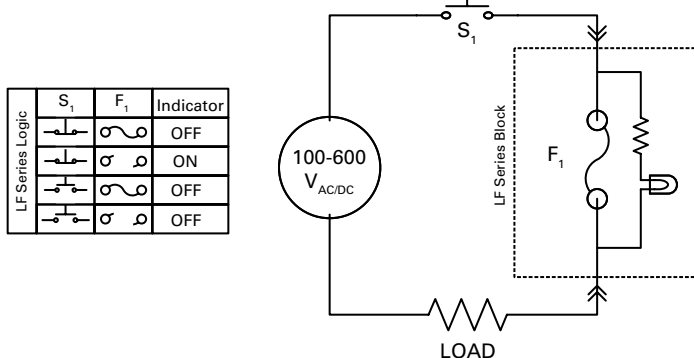
* Competitive analysis for any fuse block part number including height, width and length is available.
 Contact 800-TEC-FUSE for more information

† UL Class CD

How does the indicator work on the LF Series fuse blocks?

The indicator is a neon bulb that lights when the fuse opens. When there is no power to the panel, you will not see the indicating light. It is the same functionality of indicating touch-safe blocks. It operates the same electrically as Touch-Safe Littelfuse fuse holders such as the LPSM and LPSJ. Please see the functional schematic below for more details.

LF Series Functional Schematic



LF Series Logic	S ₁	F ₁	Indicator
— —	— —	— —	OFF
— —	— —	σ	ON
— —	— —	— —	OFF
— —	σ	— —	OFF

What is the leakage current of the indicator?

Leakage current is dependent on the voltage and resistance of the circuit, but a 600 V circuit will typically be less than 1 mA.

At what voltage will the indicator lamp operate?

80-600 VAC

Which will open first if I have both an indicating fuse and fuse block?

The fuse element will open first, followed by the blown fuse indicator on the fuse, followed by the blown fuse indicator on the fuse holder. However, it will all appear instantaneous to the naked eye due to how quickly these things will happen. It is important to note that the holder itself doesn't "open" – the neon bulb on the holder simply indicates an open circuit.

Do indicating holders replace the need for indicating fuses?

No. The indicator light only works when power is on, which greatly helps with troubleshooting. After the circuit is de-energized and locked out, the blown fuse indicator on the fuse will still show the open fuse. The blown fuse indicator is also important for fuses that are not in a holder. This redundancy improves safety.

What reliability tests were performed on these new products?

Fuse block reliability testing:

Insertion Extraction Force, Multiple Insertion Testing, Temperature Testing, Thermal Strength, Mechanical Strength, Short Circuit, Dielectric, Open Fuse Indication, Rejection, Repeated DIN attachment, Forced DIN removal, Mounting Torque, DIN rotation and slide

Indication reliability testing:

Thermal Shock, Thermal Cycling, Humidity and Temperature Conditioning, Multiple Insertions, Contact Cleaner, Indication after Over-torque, Lens Retention

Do you have any field data to share?

Please contact our Tech-Line techline@littelfuse.com or (800) TEC-FUSE

Is the product UL Listed?

Yes, to File No. E14721.
Please see the datasheets for a complete listing of all certifications.

LF SERIES CLASS H/K5 FUSE BLOCKS

CLASS	VOLTAGE	AMP	# OF POLES	TERMINAL TYPE	PART NUMBER					LF COVER NUMBER
					LITTELFUSE	PREVIOUS LITTELFUSE	MERSEN	BUSSMANN	MARATHON	
H	250	30	1	BOX LUG	LFH250301C	LH25030-1C	20306	H25030-1CR	RF30A1B	LFH25030FBC
H	250	30	2	BOX LUG	LFH250302C	LH25030-2C	20307	H25030-2CR	RF30A2B	
H	250	30	3	BOX LUG	LFH250303C	LH25030-3C	20308	H25030-3CR	RF30A3B	
H	250	30	1	PRES. PLATE	LFH250301P	LH25030-1P	20326	H25030-1PR	RF30A1SP	
H	250	30	2	PRES. PLATE	LFH250302P	LH25030-2P	20327	H25030-2PR	RF30A2SP	
H	250	30	3	PRES. PLATE	LFH250303P	LH25030-3P	20328	H25030-3PR	RF30A3SP	
H	250	30	1	SCREW	LFH250301S	LH25030-1S	20316	H25030-1SR	RF30A1S	
H	250	30	2	SCREW	LFH250302S	LH25030-2S	20317	H25030-2SR	RF30A2S	
H	250	30	3	SCREW	LFH250303S	LH25030-3S	20318	H25030-3SR	RF30A3S	
H	250	60	1	BOX LUG	LFH250601CID	LH25060-1C	20606	H25060-1CR	RF60A1B	LFH25060FBC
H	250	60	2	BOX LUG	LFH250602CID	LH25060-2C	20607	H25060-2CR	RF60A2B	
H	250	60	3	BOX LUG	LFH250603CID	LH25060-3C	20608	H25060-3CR	RF60A3B	
H	250	100	1	BOX LUG	LFH251001CID	LH25100-1C	21036	H25100-1CR	RF100A1B	LFH25100FBC
H	250	100	3	BOX LUG	LFH251003CID	LH25100-3CD	21038	H25100-3CR	RF100A3B	
H	250	100	3	BOX LUG	LFH251003CID	LH25100-3C	21038	H25100-3CR	RF100A3B	
H	250	200	1	BOX LUG	LFH252001C	LH25200-1C	22001	H25200-1CR	R1200A1BE	—
H	250	200	3	BOX LUG	LFH252003C	LH25200-3C	22003	H25200-3CR	RF200A3BE	—
H	250	400	1	BOX LUG	LFH254001C	LH25400-1C	24031	H25400-1CR	RF400A1B	—
H	250	400	3	BOX LUG	LFH254003C	LH25400-3C	24033	H25400-3CR	RF400A3B	—
H	250	600	1	BOX LUG	LFH256001C	LH25600-1C	2631	H25600-1CR	F600A1B	—
H	250	600	3	BOX LUG	LFH256003C	LH25600-3C	2633	H25600-3CR	F600A3B	—
H	600	30	1	BOX LUG	LFH600301CID	LH60030-1C	60306	H60030-1CR	R6F30A1B	LFH60030FBC
H	600	30	2	BOX LUG	LFH600302CID	LH60030-2C	60307	H60030-2CR	R6F30A2B	
H	600	30	3	BOX LUG	LFH600303CID	LH60030-3C	60308	H60030-3CR	R6F30A3B	
H	600	30	1	PRES. PLATE	LFH600301PID	LH60030-1P	60326	H60030-1PR	R6F30A1SP	
H	600	30	2	PRES. PLATE	LFH600302PID	LH60030-2P	60327	H60030-2PR	R6F30A2SP	
H	600	30	3	PRES. PLATE	LFH600303PID	LH60030-3P	60328	H60030-3PR	R6F30A3SP	
H	600	30	1	SCREW	LFH600301SID	LH60030-1S	60316	H60030-1SR	R6F60A1S	
H	600	30	2	SCREW	LFH600302SID	LH60030-2S	60317	H60030-2SR	R6F30A2S	
H	600	30	3	SCREW	LFH600303SID	LH60030-3S	60318	H60030-3SR	R6F30A3S	
H	600	60	1	BOX LUG	LFH600601CID	LH60060-1CD	60606	H60060-1CR	R6F60A1B	LFH60060FBC
H	600	60	2	BOX LUG	LFH600602CID	LH60060-2C	60607	H60060-2CR	R6F60A2B	
H	600	60	3	BOX LUG	LFH600603CID	LH60060-3C	60608	H60060-3CR	R6F60A3B	
H	600	100	1	BOX LUG	LFH601001CID	LH60100-1C	61036	H60100-1CR	R6F100A1B	LFH60100FBC
H	600	100	3	BOX LUG	LFH601003CID	LH60100-3C	61038	H60100-3CR	R6F100A3B	
H	600	200	1	BOX LUG	LFH602001C	LH60200-1C	62001	H60200-1CR	R6F2001BE	
H	600	200	3	BOX LUG	LFH602003C	LH60200-3C	62003	H60200-3CR	R6F2003BE	—
H	600	400	1	BOX LUG	LFH604001C	LH60400-1C	64031	H60400-1CR	R6F400A1B	—
H	600	400	3	BOX LUG	LFH604003C	LH60400-3C	64033	H60400-3CR	R6F400A3B	—
H	600	600	1	BOX LUG	LFH606001C	LH60600-1C	6631	H60600-1CR	R6F600A1B	—
H	600	600	3	BOX LUG	LFH606003C	LH60600-3C	6633	H60600-3CR	R6F600A3B	—

LF SERIES CLASS R FUSE BLOCKS

CLASS	VOLTAGE	AMP	# OF POLES	TERMINAL TYPE	PART NUMBER					LF COVER NUMBER
					LITTELFUSE	PREVIOUS LITTELFUSE	MERSEN	BUSSMANN	MARATHON	
R	250	30	1	BOX LUG	LFR250301C	LR25030-1C	20306R	R25030-1CR	R30A1B	LFH25030FBC
R	250	30	2	BOX LUG	LFR250302C	LR25030-2C	20307R	R25030-2CR	R30A2B	
R	250	30	3	BOX LUG	LFR250303C	LR25030-3C	20308R	R25030-3CR	R30A3B	
R	250	30	1	PRES. PLATE	LFR250301P	LR25030-1P	20326R	R25030-1PR	R30A1SP	
R	250	30	2	PRES. PLATE	LFR250302P	LR25030-2P	20327R	R25030-2PR	R30A2SP	
R	250	30	3	PRES. PLATE	LFR250303P	LR25030-3P	20328R	R25030-3PR	R30A3SP	
R	250	30	1	SCREW	LFR250301S	LR25030-1S	20316R	R25030-1SR	R30A1S	
R	250	30	2	SCREW	LFR250302S	LR25030-2S	20317R	R25030-2SR	R30A2S	
R	250	30	3	SCREW	LFR250303S	LR25030-3S	20318R	R25030-3SR	R30A3S	
R	250	60	1	BOX LUG	LFR250601CID	LR25060-1C	20606R	R25060-1CR	R60A1B	LFH25060FBC
R	250	60	2	BOX LUG	LFR250602CID	LR25060-2C	20607R	R25060-2CR	R60A2B	
R	250	60	3	BOX LUG	LFR250603CID	LR25060-3C	20608R	R25060-3CR	R60A3B	
R	250	100	1	BOX LUG	LFR251001CID	LR25100-1C	21036R	R25100-1CR	R100A1B	LFH25100FBC
R	250	100	3	BOX LUG	LFR251003CID	LR25100-3C	21038R	R25100-3CR	R100A3B	
R	250	200	1	BOX LUG	LFR252001C	LR25200-1C	22001R	R25200-1CR	R200A1BE	—
R	250	200	3	BOX LUG	LFR252003C	LR25200-3C	22003R	R25200-3CR	R200A3BE	—
R	250	400	1	BOX LUG	LFR254001C	LR25400-1C	24031R	R25400-1CR	R400A1B	—
R	250	400	3	BOX LUG	LFR254003C	LR25400-3C	24033R	R25400-3CR	R400A3B	—
R	250	600	1	BOX LUG	LFR256001C	LR25600-1C	2631R	R25600-1CR	R600A1B	—
R	250	600	3	BOX LUG	LFR256003C	LR25600-3C	2633R	R25600-3CR	R600A3B	—
R	600	30	1	BOX LUG	LFR600301CID	LR60030-1C	60306R	R60030-1CR	6R30A1B	LFH60030FBC
R	600	30	2	BOX LUG	LFR600302CID	LR60030-2C	60307R	R60030-2CR	6R30A2B	
R	600	30	3	BOX LUG	LFR600303CID	LR60030-3C	60308R	R60030-3CR	6R30A3B	
R	600	30	1	PRES. PLATE	LFR600301PID	LR60030-1P	60326R	R60030-1PR	6R30A1SP	
R	600	30	2	PRES. PLATE	LFR600302PID	LR60030-2P	60327R	R60030-2PR	6R30A2SP	
R	600	30	3	PRES. PLATE	LFR600303PID	LR60030-3P	60328R	R60030-3PR	6R30A3SP	
R	600	30	1	SCREW	LFR600301SID	LR60030-1S	60316R	R60030-1SR	6R30A1S	
R	600	30	2	SCREW	LFR600302SID	LR60030-2S	60317R	R60030-2SR	6R30A2S	
R	600	30	3	SCREW	LFR600303SID	LR60030-3S	60318R	R60030-3SR	6R30A3S	
R	600	60	1	BOX LUG	LFR600601CID	LR60060-1C	60606R	R60060-1CR	6R60A1B	LFH60060FBC
R	600	60	2	BOX LUG	LFR600602CID	LR60060-2C	60607R	R60060-2CR	6R60A2B	
R	600	60	3	BOX LUG	LFR600603CID	LR60060-3C	60608R	R60060-3CR	6R60A3B	
R	600	100	1	BOX LUG	LFR601001CID	LR60100-1C	61036R	R60100-1CR	6R100A1B	LFH60100FBC
R	600	100	3	BOX LUG	LFR601003CID	LR60100-3C	61038R	R60100-3CR	6R100A3B	
R	600	200	1	BOX LUG	LFR602001C	LR60200-1C	62001R	R60200-1CR	6R200A1BE	—
R	600	200	3	BOX LUG	LFR602003C	LR60200-3C	62003R	R60200-3CR	6R200A3BE	—
R	600	400	1	BOX LUG	LFR604001C	LR60400-1C	64031R	R60400-1CR	6R400A1B	—
R	600	400	3	BOX LUG	LFR604003C	LR60400-3C	64033R	R60400-3CR	6R400A3B	—
R	600	600	1	BOX LUG	LFR606001C	LR60600-1C	6631R	R60600-1CR	6R600A1B	—
R	600	600	3	BOX LUG	LFR606003C	LR60600-3C	6633R	R60600-3CR	6R600A3B	—

LF SERIES CLASS J FUSE BLOCKS

CLASS	VOLTAGE	AMP	# OF POLES	TERMINAL TYPE	PART NUMBER					LF COVER NUMBER
					LITTELFUSE	PREVIOUS LITTELFUSE	MERSEN	BUSSMANN	MARATHON	
J	600	30	1	BOX LUG	LFJ600301CID	LJ60030-1C	60306J	J60030-1CR	R6J30A1B	LFJ60030FBC
J	600	30	2	BOX LUG	LFJ600302CID	LJ60030-2C	60307J	J60030-2CR	R6J30A2B	
J	600	30	3	BOX LUG	LFJ600303CID	LJ60030-3C	60308J	J60030-3CR	R6J30A3B	
J	600	30	1	PRES. PLATE	LFJ600301PID	LJ60030-1P	60325J	J60030-1P	R6J30A1SP	
J	600	30	2	PRES. PLATE	LFJ600302PID	LJ60030-2P	60326J	J60030-2P	R6J30A2SP	
J	600	30	3	PRES. PLATE	LFJ600303PID	LJ60030-3P	60327J	J60030-3P	R6J30A3SP	
J	600	30	1	SCREW	LFJ600301SID	LJ60030-1S	60316J	J60030-1S	R6J30A1S	
J	600	30	2	SCREW	LFJ600302SID	LJ60030-2S	60317J	J60030-2S	R6J30A2S	
J	600	30	3	SCREW	LFJ600303SID	LJ60030-3S	60318J	J60030-3S	R6J30A3S	
J	600	60	1	BOX LUG	LFJ600601CID	LJ60060-1C	60606J	J60060-1CR	R6J60A1B	LFJ60060FBC
J	600	60	2	BOX LUG	LFJ600602CID	LJ60060-2C	60607J	J60060-2CR	R6J60A2B	
J	600	60	3	BOX LUG	LFJ600603CID	LJ60060-3C	60608J	J60060-3CR	R6J60A3B	
J	600	100	1	BOX LUG	LFJ601001CID	LJ60100-1C	61036J	J60100-1CR	R6J100A1B	LFJ60100FBC
J	600	100	3	BOX LUG	LFJ601003CID	LJ60100-3C	61038J	J60100-3CR	R6J100A3B	
J	600	200	1	BOX LUG	LFJ602001C	LJ60200-1C	62001J	J60200-1CR	6J200A1BFBD	—
J	600	200	3	BOX LUG	LFJ602003C	LJ60200-3C	62003J	J60200-3CR	6J200A3BFBD	—
J	600	400	1	BOX LUG	LFJ604001C	LJ60400-1C	64031J	J60400-1CR	6J400A1BFBD	—
J	600	400	3	BOX LUG	LFJ604003C	LJ60400-3C	64033J	J60400-3CR	6J400A3BFBD	—
J	600	600	1	BOX LUG	LFJ606001C	LJ60600-1C	6631J	J60600-1CR	6J600A1BFBD	—
J	600	600	3	BOX LUG	LFJ606003C	LJ60600-3C	6633J	J60600-3CR	6J600A3BFBD	—

LF SERIES CLASS T FUSE BLOCKS

CLASS	VOLTAGE	AMP	# OF POLES	TERMINAL TYPE	PART NUMBER					LF COVER NUMBER
					LITTELFUSE	PREVIOUS LITTELFUSE	MERSEN	BUSSMANN	MARATHON	
T	300	30	1	BOX LUG	LFT300301C	—	30306T	—	—	LFT30030FBC
T	300	30	2	BOX LUG	LFT300302C	LT30030-2CR	30307T	T30030-2CR	RT30A2B	
T	300	30	3	BOX LUG	LFT300303C	LT30030-3CR	30308T	T30030-3CR	RT30A3B	
T	300	60	1	BOX LUG	LFT300601C	—	30616T	—	—	LFT30060FBC
T	300	60	2	BOX LUG	LFT300602C	LT30060-2CR	30607T	T30060-2CR	RT60A2B	
T	300	60	3	BOX LUG	LFT300603C	LT30060-3CR	30608T	T30060-3CR	RT60A3B	
T	300	100	1	BOX LUG	LFT301001CS	LT30100-1C	31031T	T30100-1CR	T100A1B	LFT30100FBC
T	300	100	3	BOX LUG	LFT301003CS	LT30100-3C	31033T	T30100-3CR	T100A3B	
T	300	200	1	BOX LUG	LFT302001CS	LT30200-1C	32031T	T30200-1C	T200A1B	—
T	300	200	3	BOX LUG	LFT302003CS	—	32033T	T30200-3C	T200A3B	—
T	300	400	1	BOX LUG	LFT304001CS	LT30400-1C	34031T	T30400-1C	T400A1B	—
T	300	400	3	BOX LUG	LFT304003CS	—	34033T	—	—	—
T	300	600	1	BOX LUG	LFT306001CS	LT30600-1C	36031T	T30600-1C	T600A1B	—
T	300	600	3	BOX LUG	LFT306003CS	—	—	—	—	—

LF SERIES CLASS T FUSE BLOCKS

CLASS	VOLTAGE	AMP	# OF POLES	TERMINAL TYPE	PART NUMBER					LF COVER NUMBER
					LITTELFUSE	PREVIOUS LITTELFUSE	MERSEN	BUSSMANN	MARATHON	
T	600	30	1	BOX LUG	LFT600301C	LT60030-1CR	60306T	T60030-1CR	—	LFT60030FBC
T	600	30	2	BOX LUG	LFT600302C	LT60030-2CR	60307T	T60030-2CR	R6T30A2B	
T	600	30	3	BOX LUG	LFT600303C	LT60030-3CR	60308T	T60030-3CR	R6T30A3B	
T	600	30	1	SCREW	LFT600301S	LT60030-1SR	60316T	T60030-1SR	—	
T	600	30	2	SCREW	LFT600302S	LT60030-2SR	60317T	T60030-2SR	R6T30A2S	
T	600	30	3	SCREW	LFT600303S	LT60030-3SR	60318T	T60030-3SR	R6T30A3S	
T	600	30	1	PRES. PLATE	LFT600301P	—	—	—	—	
T	600	30	2	PRES. PLATE	LFT600302P	—	—	—	—	
T	600	30	3	PRES. PLATE	LFT600303P	—	—	—	—	
T	600	60	1	BOX LUG	LFT600601C	LT60060-1CR	60606T	T60060-1CR	—	LFT60060FBC
T	600	60	2	BOX LUG	LFT600602C	LT60060-2CR	60607T	T60060-2CR	R6T60A2B	
T	600	60	3	BOX LUG	LFT600603C	LT60060-3CR	60608T	T60060-3CR	R6T60A3B	
T	600	100	1	BOX LUG	LFT601001CS	LT60100-1C	61031T	T60100-1C	6T100A1B	LT60100FBC
T	600	100	3	BOX LUG	LFT601003CS	LT60100-3C	61033T	T60100-3C	6T100A3B	
T	600	200	1	BOX LUG	LFT602001CS	LT60200-1C	62031T	T60200-1C	6T200A1B	LT60200FBC
T	600	200	3	BOX LUG	LFT602003CS	—	62033T	1B0089	6T200A3B	
T	600	400	1	BOX LUG	LFT604001CS	LT60400-1C	64031T	T60400-1C	6T400A1B	LT60400FBC
T	600	400	3	BOX LUG	LFT604003CS	—	—	—	—	
T	600	600	1	BOX LUG	LFT606001CS	—	66031T	T60600-1C	6T600A1B	LT60600FBC
T	600	600	3	BOX LUG	LFT606003CS	—	—	—	—	

LF SERIES CLASS G FUSE BLOCKS

CLASS	VOLTAGE	AMP	# OF POLES	TERMINAL TYPE	PART NUMBER				
					LITTELFUSE	PREVIOUS LITTELFUSE	MERSEN	BUSSMANN	MARATHON
G	600	15	1	BOX LUG	LFG600151CDINR	—	—	BG3011B	G15A1B
G	600	15	2	BOX LUG	LFG600152CDINR	—	—	BG3012B	G15A2B
G	600	15	3	BOX LUG	LFG600153CDINR	—	—	BG3013B	G15A3B
G	600	15	1	PRES. PLATE	LFG600151PQDINR	—	40121G	BG3011PQ	G15A1SPQ
G	600	15	2	PRES. PLATE	LFG600152PQDINR	—	40122G	BG3012PQ	G15A2SPQ
G	600	15	3	PRES. PLATE	LFG600153PQDINR	—	40123G	BG3013PQ	G15A3SPQ
G	600	15	1	SCREW	LFG600151SQDINR	LG30015-1SQ	40111G	BG3011SQ	G15A1SQ
G	600	15	2	SCREW	LFG600152SQDINR	LG30015-2SQ	40112G	BG3012SQ	G15A2SQ
G	600	15	3	SCREW	LFG600153SQDINR	LG30015-3SQ	40113G	BG3013SQ	G15A3SQ
G	600	20	1	BOX LUG	LFG600201CDINR	—	—	BG3021B	G20A1B
G	600	20	2	BOX LUG	LFG600202CDINR	—	—	BG3022B	G20A2B
G	600	20	3	BOX LUG	LFG600203CDINR	—	—	BG3023B	G20A3B
G	600	20	1	PRES. PLATE	LFG600201PQDINR	—	40221G	BG3021PQ	G20A1SPQ
G	600	20	2	PRES. PLATE	LFG600202PQDINR	—	40222G	BG3022PQ	G20A2SPQ
G	600	20	2	PRES. PLATE	LFG600203PQDINR	—	40223G	BG3023PQ	G20A3SPQ

LF SERIES CLASS G FUSE BLOCKS

CLASS	VOLTAGE	AMP	# OF POLES	TERMINAL TYPE	PART NUMBER				
					LITTELFUSE	PREVIOUS LITTELFUSE	MERSEN	BUSSMANN	MARATHON
G	600	20	1	SCREW	LFG600201SQDINR	LG30020-1SQ	40211G	BG3021SQ	G20A1SQ
G	600	20	2	SCREW	LFG600202SQDINR	LG30020-2SQ	40212G	BG3022SQ	G20A2SQ
G	600	20	3	SCREW	LFG600203SQDINR	LG30020-3SQ	40213G	BG3023SQ	G20A3SQ
G	480	30	1	BOX LUG	LFG480301CDINR	—	40351G	BG3031B	G30A1B
G	480	30	2	BOX LUG	LFG480302CDINR	—	40352G	BG3032B	G30A2B
G	480	30	3	BOX LUG	LFG480303CDINR	—	40353G	BG3033B	G30A3B
G	480	30	1	PRES. PLATE	LFG480301PQDINR	L30030G-1PQ	40321G	BG301P	G30A1SPQ
G	480	30	2	PRES. PLATE	LFG480302PQDINR	L30030G-2PQ	40322G	BG302P	G30A2SPQ
G	480	30	3	PRES. PLATE	LFG480303PQDINR	L30030G-3PQ	40323G	BG303P	G30A3SPQ
G	480	30	1	SCREW	LFG480301SQDINR	L30030G-1SQ	40311G	BG301S	G30A1SQ
G	480	30	2	SCREW	LFG480302SQDINR	L30030G-2SQ	40312G	BG302S	G30A2SQ
G	480	30	3	SCREW	LFG480303SQDINR	L30030G-3SQ	40313G	BG303S	G30A3SQ
G	480	60	1	BOX LUG	LFG480601CDINR	LG30060-1CR	40606G	G30060-1CR	—
G	480	60	2	BOX LUG	LFG480602CDINR	LG30060-2CR	40607G	G30060-2CR	—
G	480	60	3	BOX LUG	LFG480603CDINR	LG30060-3CR	40608G	G30060-3CR	—

LF SERIES CLASS CD FUSE BLOCKS

CLASS	VOLTAGE	AMP	# OF POLES	TERMINAL TYPE	PART NUMBER					LF COVER NUMBER
					LITTELFUSE	PREVIOUS LITTELFUSE	MERSEN	BUSSMANN	MARATHON	
CD	600	60	1	BOX LUG	LFC600601CID	L60060C-1C	—	—	R6CC60A1B	LFC60060FBC
CD	600	60	2	BOX LUG	LFC600602CID	L60060C-2C	—	—	R6CC60A2B	
CD	600	60	3	BOX LUG	LFC600603CID	L60060C-3C	—	—	R6CC60A3B	



Technical Information Online

- Datasheets and detailed specifications
- 2-D .dxf and 3-D .igs drawing files
- Comparison chart and cross reference
- Space-savings calculator
- Environmental approvals
- Outline drawings



Sample Requests

- Order easily online
- Call your Littelfuse sales representative



Additional Resources

- Printed product catalogs and brochures
- (800) TEC-FUSE technical support hotline

www.littelfuse.com/fuseblocks

(800) TEC-FUSE

Mouser Electronics

Authorized Distributor

Click to View Pricing, Inventory, Delivery & Lifecycle Information:

Littelfuse:

[LFH600602C](#) [LFH600301C](#) [LFH601001C](#) [LFJ600301P](#) [LFJ600301C](#) [LFR601001C](#) [LFR600601C](#) [LFR600301P](#)
[LFR600603C](#) [LFJ601001C](#) [LFH250603C](#) [LFH250601C](#) [LFH251003C](#) [LFH600301P](#) [LFH600302C](#) [LFR600301C](#)
[LFR600303C](#) [LFR600303S](#) [LFR250602C](#) [LFR600301S](#) [LFR600303P](#) [LFR251003C](#) [LFJ600603C](#) [LFJ600302P](#)
[LFH600601C](#) [LFJ600601C](#) [LFH251001C](#) [LFJ600303P](#) [LFR600302C](#) [LFR600302P](#) [LFJ600302C](#) [LFH600302P](#)
[LFJ600301S](#) [LFH600301S](#) [LFR250601C](#) [LFR250603C](#) [LFH600302S](#) [LFH600303P](#) [LFJ600303C](#) [LFJ600602C](#)
[LFJ601003C](#) [LFR600602C](#) [LFH600303S](#) [LFH600603C](#) [LFH601003C](#) [LFR601003C](#) [LFH250602C](#) [LFJ600303S](#)
[LFJ600302S](#) [LFR251001C](#) [LFH600303C](#) [LFR600302S](#)