

# MHDM Series

## Diecast Hood & D-Sub Connector Kit | S&F



### Description

- Stamped & Formed contacts, selective Gold plated contacts, Tin plated solder buckets
- Strong Nickel plated, diecast Zinc hood
- Straight cable entry
- Compression inserts to accommodate 6.2, 8.2 & 10.2mm cable diameter
- Will accommodate 6.2mm to 13.0mm diameter cable
- 4-40 UNC jackscrews

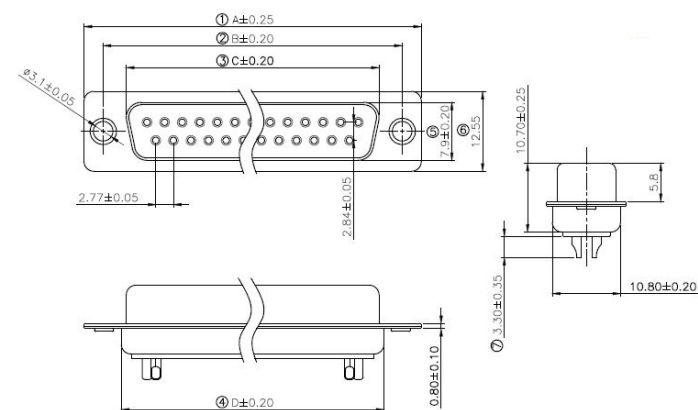
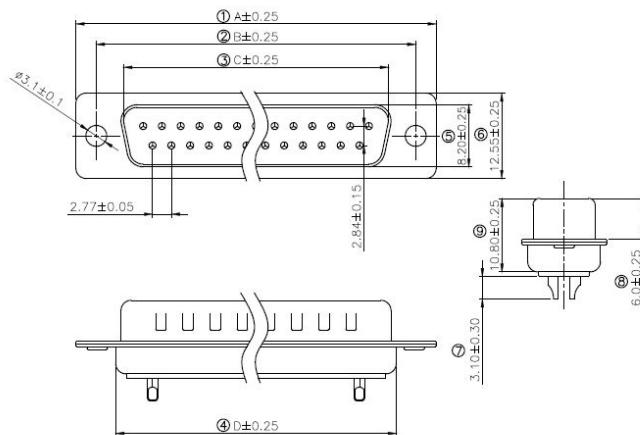
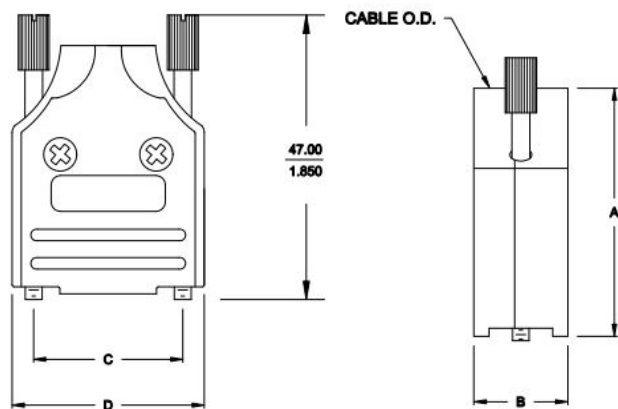
### Specification

D-Sub	
Voltage Rating	250V
Current Rating	5 Amps
Contact Resistance	25mΩ Max
Insulation Resistance	1000MΩ
Operating Temperature	-55°C to 105°C
Shell	Tin plated Steel
Insulator Material	Glass filled Polyester
Contact Material	Copper alloy
Contact Plating	Gold over Nickel



Hood	
No. Contacts	9, 15 & 25
Kit Type	D-Sub connector kit
Housing Material	Nickel plated Zinc
Cable Entry	Straight
Cable OD	Up to 13.0mm

The Kit Contains		
Backshell Halves		x 2
D-Sub connector		x 1
Strain relief screws		x 2
Housing screws		x 2
4-40 UNC jackscrews		x 2
Metallised plastic compression inserts		x 1



### Hood Dimensions

Size	A	B	C	D
09	31.5mm	40.0mm	15.00mm	24.99mm
	1.240"	1.575"	0.591"	0.984"
15	40.00mm	40.0mm	15.00mm	33.32mm
	1.575"	1.575"	0.591"	1.312"
25	53.5mm	43.0mm	15.00mm	47.04mm
	2.106"	1.693"	0.591"	1.852"

### Male Dimensions

	09	15	25
A	30.81mm	39.25mm	53.03mm
B	24.99mm	33.32mm	38.96mm
C	19.28mm	27.75mm	41.30mm
D	19.23mm	27.56mm	41.30mm

### Female Dimensions

	09	15	25
A	30.88mm	39.20mm	53.02mm
B	24.88mm	33.30mm	47.04mm
C	19.28mm	27.75mm	41.30mm
D	18.94mm	27.50mm	41.20mm

Part No.	Norcomp Part No.	Positions	Male/Female	Contact Type	Hood Part No.	Norcomp Part No.	D-Sub Part No.	Norcomp Part No.
MHDM9-DB9P-K	999-009-B30S102	9 Pin	Male	Stamped & Formed	MHDM-9-K	952-009-030R121	MHDB9SP	171-009-102L001
MHDM15-DB15P-K	999-015-B30S102	15 Pin	Male	Stamped & Formed	MHDM-15-K	952-015-030R121	MHDB15SP	171-015-102L001
MHDM25-DB25P-K	999-025-B30S102	25 Pin	Male	Stamped & Formed	MHDM-25-K	952-025-030R121	MHDB25SP	171-025-102L001
MHDM9-DB9S-K	999-009-B30S202	9 Pin	Female	Stamped & Formed	MHDM-9-K	952-009-030R121	MHDB9SS	171-009-202L001
MHDM15-DB15S-K	999-015-B30S202	15 Pin	Female	Stamped & Formed	MHDM-15-K	952-015-030R121	MHDB15SS	171-015-202L001
MHDM25-DB25S-K	999-025-B30S202	25 Pin	Female	Stamped & Formed	MHDM-25-K	952-025-030R121	MHDB25SS	171-025-202L001

# Mouser Electronics

Authorized Distributor

Click to View Pricing, Inventory, Delivery & Lifecycle Information:

[NorComp:](#)

[MHDM25-DB25S-K](#) [MHDM9-DB9S-K](#) [MHDM25-DB25P-K](#) [MHDM15-DB15P-K](#) [MHDM15-DB15S-K](#) [MHDM9-DB9P-K](#)