

Features and Benefits

- Small size, low cost
- Easy to integrate
- Factory calibrated in wide temperature range:
-40...+125°C for sensor temperature and
-70...+380°C for object temperature.
- High accuracy of 0.5°C in a wide temperature range (0...+50°C for both Ta and To)
- High (medical) accuracy calibration
- Measurement resolution of 0.02°C
- Single and dual zone versions
- SMBus compatible digital interface
- Customizable PWM output for continuous reading
- Available in 3V and 5V versions
- Simple adaptation for 8...16V applications
- Sleep mode for reduced power consumption
- Different package options for applications and measurements versatility
- Automotive grade

Applications Examples

- High precision non-contact temperature measurements
- Thermal Comfort sensor for Mobile Air Conditioning control system
- Temperature sensing element for residential, commercial and industrial building air conditioning
- Windshield defogging
- Automotive blind angle detection
- Industrial temperature control of moving parts
- Temperature control in printers and copiers
- Home appliances with temperature control
- Healthcare
- Livestock monitoring
- Movement detection
- Multiple zone temperature control – up to 127 sensors can be read via common 2 wires
- Thermal relay / alert
- Body temperature measurement

Ordering Information

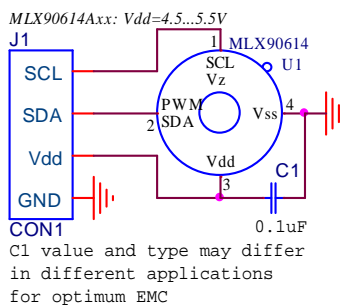
Part No.	Temperature Code	Package Code	- Option Code	Standard part	Packing form
			- X X X (1) (2) (3)		
MLX90614	E (-40°C...85°C) K (-40°C...125°C)	SF (TO-39)		-000	-TU

(1) Supply Voltage/ Accuracy A - 5V B - 3V C - Reserved D - 3V medical accuracy	(2) Number of thermopiles: A – single zone B – dual zone C – gradient compensated*	(3) Package options: A – Standard package B – Reserved C – 35° FOV D/E – Reserved F – 10° FOV G – Reserved H – 12° FOV (refractive lens) I – 5° FOV
---	---	---



Example:
MLX90614ESF-BAA-000-TU * : See page 2

1 Functional diagram



MLX90614 connection to SMBus

Figure 1: Typical application schematics

2 General Description

The MLX90614 is an Infra Red thermometer for non contact temperature measurements. Both the IR sensitive thermopile detector chip and the signal conditioning ASSP are integrated in the same TO-39 can.

Thanks to its low noise amplifier, 17-bit ADC and powerful DSP unit, a high accuracy and resolution of the thermometer is achieved.

The thermometer comes factory calibrated with a digital PWM and SMBus (System Management Bus) output.

As a standard, the 10-bit PWM is configured to continuously transmit the measured temperature in range of -20...120°C, with an output resolution of 0.14°C.

The factory default POR setting is SMBus.

General description (continued)

The MLX90614 is built from 2 chips developed and manufactured by Melexis:

- The Infra Red thermopile detector MLX81101
- The signal conditioning ASSP MLX90302, specially designed to process the output of IR sensor.

The device is available in an industry standard TO-39 package.

Thanks to the low noise amplifier, high resolution 17-bit ADC and powerful DSP unit of MLX90302 high accuracy and resolution of the thermometer is achieved. The calculated object and ambient temperatures are available in RAM of MLX90302 with resolution of 0.01°C. They are accessible by 2 wire serial SMBus compatible protocol (0.02°C resolution) or via 10-bit PWM (Pulse Width Modulated) output of the device.

The MLX90614 is factory calibrated in wide temperature ranges: -40...125°C for the ambient temperature and -70...380°C for the object temperature.

The measured value is the average temperature of all objects in the Field Of View of the sensor. The MLX90614 offers a standard accuracy of $\pm 0.5^\circ\text{C}$ around room temperatures. A special version for medical applications exists offering an accuracy of $\pm 0.2^\circ\text{C}$ in a limited temperature range around the human body temperature.

It is very important for the application designer to understand that these accuracies are only guaranteed and achievable when the sensor is in thermal equilibrium and under isothermal conditions (there are no temperature differences across the sensor package). The accuracy of the thermometer can be influenced by temperature differences in the package induced by causes like (among others): Hot electronics behind the sensor, heaters/coolers behind or beside the sensor or by a hot/cold object very close to the sensor that not only heats the sensing element in the thermometer but also the thermometer package.

This effect is especially relevant for thermometers with a small FOV like the xxC and xxF as the energy received by the sensor from the object is reduced. Therefore, Melexis has introduced the xCx version of the MLX90614. In these MLX90614xCx, the thermal gradients are measured internally and the measured temperature is compensated for them. In this way, the xCx version of the MLX90614 is much less sensitive to thermal gradients, but the effect is not totally eliminated. It is therefore important to avoid the causes of thermal gradients as much as possible or to shield the sensor from them.

As a standard, the MLX90614 is calibrated for an object emissivity of 1. It can be easily customized by the customer for any other emissivity in the range 0.1...1.0 without the need of recalibration with a black body.

The 10-bit PWM is as a standard configured to transmit continuously the measured object temperature for an object temperature range of -20...120°C with an output resolution of 0.14°C. The PWM can be easily customized for virtually any range desired by the customer by changing the content of 2 EEPROM cells. This has no effect on the factory calibration of the device.

The PWM pin can also be configured to act as a thermal relay (input is T_o), thus allowing for an easy and cost effective implementation in thermostats or temperature (freezing / boiling) alert applications. The temperature threshold is user programmable. In a SMBus system this feature can act as a processor interrupt that can trigger reading all slaves on the bus and to determine the precise condition.

The thermometer is available in 2 supply voltage options: 5V compatible or 3V (battery) compatible. The 5V can be easily adopted to operate from a higher supply voltage (8...16V, for example) by use of few external components (refer to "Applications information" section for details).

An optical filter (long-wave pass) that cuts off the visible and near infra-red radiant flux is integrated in the package to provide ambient and sunlight immunity. The wavelength pass band of this optical filter is from 5.5 till 14 μm (except for xCH and xCI type of devices which incorporate uncoated silicon lens).

3 Table of Contents

1	Functional diagram	1
2	General Description	1
3	Table of Contents	3
4	Glossary of Terms	4
5	Maximum ratings	4
6	Pin definitions and descriptions	5
7	Electrical Specifications	6
7.1	MLX90614Axx	6
7.2	MLX90614Bxx, MLX90614Dxx	8
8	Detailed description	10
8.1	Block diagram	10
8.2	Signal processing principle	10
8.3	Block description	11
8.3.1	Amplifier	11
8.3.2	Supply regulator and POR	11
8.3.3	EEPROM	11
8.3.4	RAM	14
8.4	SMBus compatible 2-wire protocol	14
8.4.1	Functional description	14
8.4.2	Differences with the standard SMBus specification (reference [1])	15
8.4.3	Detailed description	15
8.4.4	Bit transfer	16
8.4.5	Commands	17
8.4.6	SMBus communication examples	17
8.4.7	Timing specification	18
8.4.8	Sleep Mode	19
8.4.9	MLX90614 SMBus specific remarks	20
8.5	PWM	21
8.5.1	Single PWM format	22
8.5.2	Extended PWM format	23
8.5.3	Customizing the temperature range for PWM output	24
8.6	Switching Between PWM / Thermal relay and SMBus communication	26
8.6.1	PWM is enabled	26
8.6.2	Request condition	26
8.6.3	PWM is disabled	26
8.7	Computation of ambient and object temperatures	27
8.7.1	Ambient temperature T_a	27
8.7.2	Object temperature T_o	27
8.7.3	Calculation flow	28
8.8	Thermal relay	30
9	Unique Features	31
10	Performance Graphs	32
10.1	Temperature accuracy of the MLX90614	32
10.1.1	Standard accuracy	32
10.1.2	Medical accuracy	33
10.1.3	Temperature reading dependence on V_{DD}	33
10.2	Field Of View (FOV)	35
11	Applications Information	39
11.1	Use of the MLX90614 thermometer in SMBus configuration	39
11.2	Use of multiple MLX90614s in SMBus configuration	39
11.3	PWM output operation	40
11.4	Thermal alert / thermostat	40
11.5	High voltage source operation	41
12	Application Comments	42
13	Standard information regarding manufacturability of Melexis products with different soldering processes	44
14	ESD Precautions	44
15	FAQ	45
16	Package Information	47
16.1	MLX90614xxA	47
16.2	MLX90614xCC	47
16.3	MLX90614xCF	48
16.4	MLX90614xCH	48
16.5	MLX90614xCI	49
16.6	Part marking	49
16.7	Operating and storage humidity range	49
17	Table of figures	50
18	References	51
19	Disclaimer	51

4 Glossary of Terms

PTAT	Proportional To Absolute Temperature sensor (package temperature)
POR	Power On Reset
HFO	High Frequency Oscillator (RC type)
DSP	Digital Signal Processing
FIR	Finite Impulse Response. Digital filter
IIR	Infinite Impulse Response. Digital filter
IR	Infra-Red
PWM	Pulse With Modulation
DC	Duty Cycle (of the PWM) ; Direct Current (for settled conditions specifications)
FOV	Field Of View
SDA,SCL	Serial DAta, Serial CLock – SMBus compatible communication pins
T _a	Ambient Temperature measured from the chip – (the package temperature)
T _o	Object Temperature, 'seen' from IR sensor
ESD	Electro-Static Discharge
EMC	Electro-Magnetic Compatibility
ASSP	Application Specific Standard Product
TBD	To Be Defined

Note: sometimes the MLX90614xxx is referred as “the module”.

5 Maximum ratings

Parameter	MLX90614ESF-Axx	MLX90614ESF-Bxx MLX90614ESF-Dxx	MLX90614KSF-Axx
Supply Voltage, V _{DD} (over voltage)	7V	5V	7V
Supply Voltage, V _{DD} (operating)	5.5 V	3.6V	5.5V
Reverse Voltage	0.4 V		
Operating Temperature Range, T _A	-40...+85°C		-40...+125°C
Storage Temperature Range, T _S	-40...+125°C		-40...+125°C
ESD Sensitivity (AEC Q100 002)	2kV		
DC current into SCL / Vz (Vz mode)	2 mA		
DC sink current, SDA / PWM pin	25 mA		
DC source current, SDA / PWM pin	25 mA		
DC clamp current, SDA / PWM pin	25 mA		
DC clamp current, SCL pin	25 mA		

Table 1: Absolute maximum ratings for MLX90614

Exceeding the absolute maximum ratings may cause permanent damage.
Exposure to absolute-maximum-rated conditions for extended periods may affect device reliability.

6 Pin definitions and descriptions

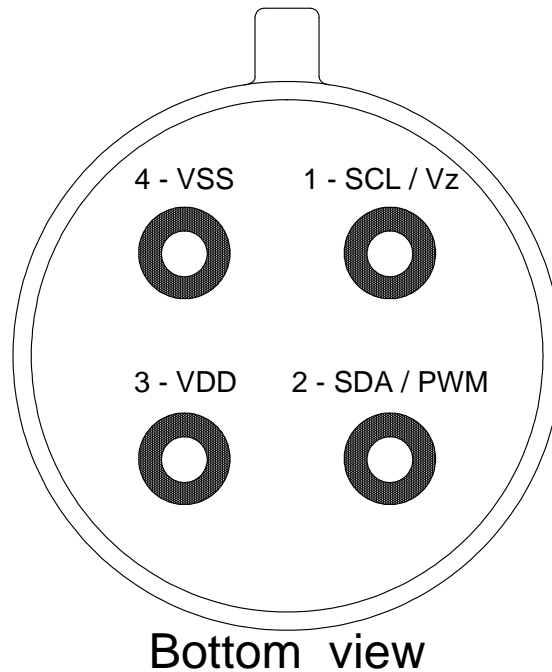


Figure 2: Pin description

Pin Name	Function
SCL / Vz	Serial clock input for 2 wire communications protocol. 5.7V zener is available at this pin for connection of external bipolar transistor to MLX90614Axx to supply the device from external 8 ...16V source.
SDA / PWM	Digital input / output. In normal mode the measured object temperature is available at this pin Pulse Width Modulated. In SMBus compatible mode the pin is automatically configured as open drain NMOS.
VDD	External supply voltage.
VSS	Ground. The metal can is also connected to this pin.

Table 2: Pin description MLX90614

Note: for +12V (+8...+16V) powered operation refer to the Application information section. For EMC and isothermal conditions reasons it is highly recommended not to use any electrical connection to the metal can except by the VSS pin.

With the SCL / Vz and PWM / SDA pins operated in 2-wire interface mode, the input Schmidt trigger function is automatically enabled.

7 Electrical Specifications

7.1 MLX90614Axx

All parameters are valid for $T_A = 25\text{ }^\circ\text{C}$, $V_{DD} = 5\text{V}$ (unless otherwise specified)

Parameter	Symbol	Test Conditions	Min	Typ	Max	Units
Supplies						
External supply	V_{DD}		4.5	5	5.5	V
Supply current	I_{DD}	No load		1.3	2	mA
Supply current (programming)	I_{DDpr}	No load, erase/write EEPROM operations		1.5	2.5	mA
Zener voltage	V_Z	$I_Z = 75 \dots 1000\mu\text{A}$ ($T_A = \text{room}$)	5.5	5.7	5.9	V
Zener voltage	$V_Z(T_A)$	$I_Z = 70 \dots 1000\mu\text{A}$, full temperature range	5.15	5.7	6.24	V
Power On Reset						
POR level	V_{POR_up}	Power-up (full temp range)	1.4	1.75	1.95	V
POR level	V_{POR_down}	Power –down (full temp range)	1.3	1.7	1.9	V
POR hysteresis	V_{POR_hys}	Full temp range	0.08	0.1	1.15	V
V_{DD} rise time (10% to 90% of specified supply voltage)	T_{POR}	Ensure POR signal			20	ms
Output valid (result in RAM)	T_{valid}	After POR		0.25		s
Pulse width modulation¹						
PWM resolution	PWM_{res}	Data band		10		bit
PWM output period	$PWM_{T,def}$	Factory default, internal oscillator factory calibrated		1.024		ms
PWM period stability	$dPWM_T$	Internal oscillator factory calibrated, over the entire operation range and supply voltage	-10		+10	%
Output high Level	PWM_{HI}	$I_{source} = 2\text{ mA}$	$V_{DD}-0.2$			V
Output low Level	PWM_{LO}	$I_{sink} = 2\text{ mA}$			$V_{SS}+0.2$	V
Output drive current	$I_{drive_{PWM}}$	$V_{out,H} = V_{DD} - 0.8\text{V}$		7		mA
Output sink current	$I_{sink_{PWM}}$	$V_{out,L} = 0.8\text{V}$		13.5		mA

Continued on next page

Parameter	Symbol	Test Conditions	Min	Typ	Max	Units
SMBus compatible 2-wire interface²						
Input high voltage	V _{IH} (Ta, V)	Over temperature and supply	3			V
Input low voltage	V _{IL} (Ta, V)	Over temperature and supply			0.6	V
Output low voltage	V _{OL}	Over temperature and supply, I _{sink} = 2mA			0.2	V
SCL leakage	I _{SCL, leak}	V _{SCL} =4V, Ta=+85°C			30	μA
SDA leakage	I _{SDA, leak}	V _{SDA} =4V, Ta=+85°C			0.3	μA
SCL capacitance	C _{SCL}				10	pF
SDA capacitance	C _{SDA}				10	pF
Slave address	SA	Factory default		5A		hex
Wake up request	t _{wake}	SDA low	33			ms
SMBus Request	t _{REQ}	SCL low	1.44			ms
Timeout, low	T _{imeout,L}	SCL low	27		33	ms
Timeout, high	T _{imeout,H}	SCL high	45		55	μs
Acknowledge setup time	Tsuac(MD)	8-th SCL falling edge, Master			1.5	μs
Acknowledge hold time	Thdac(MD)	9-th SCL falling edge, Master			1.5	μs
Acknowledge setup time	Tsuac(SD)	8-th SCL falling edge, Slave			2.5	μs
Acknowledge hold time	Thdac(SD)	9-th SCL falling edge, Slave			1.5	μs
EEPROM						
Data retention		Ta = +85°C	10			years
Erase/write cycles		Ta = +25°C	100,000			Times
Erase/write cycles		Ta = +125°C	10,000			Times
Erase cell time	T _{erase}			5		ms
Write cell time	T _{write}			5		ms

Table 3: Electrical specification MLX90614Axx

Notes: All the communication and refresh rate timings are given for the nominal calibrated HFO frequency and will vary with this frequency's variations.

1. With large capacitive load lower PWM frequency is recommended. Thermal relay output (when configured) has the PWM DC specification and can be programmed as push-pull, or NMOS open drain. PWM is free-running, power-up factory default is SMBus, refer to section 8.6, "Switching between PWM and SMBus communication" for more details.

2. For SMBus compatible interface on 12V application refer to Application information section. SMBus compatible interface is described in details in the SMBus detailed description section. Maximum number of MLX90614 devices on one bus is 127, higher pull-up currents are recommended for higher number of devices, faster bus data transfer rates, and increased reactive loading of the bus.

MLX90614 is always a slave device on the bus. MLX90614 can work in both low-power and high-power SMBus communication.

All voltages are referred to the V_{ss} (ground) unless otherwise noted.

Sleep mode is not available on the 5V version (MLX90614Axx).

7.2 MLX90614Bxx, MLX90614Dxx

All parameters are valid for $T_A = 25\text{ }^\circ\text{C}$, $V_{DD} = 3\text{V}$ (unless otherwise specified)

Parameter	Symbol	Test Conditions	Min	Typ	Max	Units
Supplies						
External supply	V_{DD}		2.6	3	3.6	V
Supply current	I_{DD}	No load		1.3	2	mA
Supply current (programming)	I_{DDpr}	No load, erase / write EEPROM operations		1.5	2.5	mA
Sleep mode current	I_{sleep}	no load	1	2.5	5	μA
Sleep mode current	I_{sleep}	Full temperature range	1	2.5	6	μA
Power On Reset						
POR level	V_{POR_up}	Power-up (full temp range)	1.4	1.75	1.95	V
POR level	V_{POR_down}	Power –down (full temp range)	1.3	1.7	1.9	V
POR hysteresis	V_{POR_hys}	Full temp range	0.08	0.1	1.15	V
V_{DD} rise time (10% to 90% of specified supply voltage)	T_{POR}	Ensure POR signal			20	ms
Output valid	T_{valid}	After POR		0.25		s
Pulse width modulation¹						
PWM resolution	PWMres	Data band		10		bit
PWM output period	$PWM_{T,def}$	Factory default, internal oscillator factory calibrated		1.024		ms
PWM period stability	$dPWM_T$	Internal oscillator factory calibrated, over the entire operation range and supply voltage	-10		+10	%
Output high Level	PWM_{HI}	$I_{source} = 2\text{ mA}$	$V_{DD}-0.25$			V
Output low Level	PWM_{LO}	$I_{sink} = 2\text{ mA}$			$V_{SS}+0.25$	V
Output drive current	I_{drive_PWM}	$V_{out,H} = V_{DD} - 0.8\text{V}$		4.5		mA
Output sink current	I_{sink_PWM}	$V_{out,L} = 0.8\text{V}$		11		mA

Continued on next page

Parameter	Symbol	Test Conditions	Min	Typ	Max	Units
SMBus compatible 2-wire interface²						
Input high voltage	$V_{IH}(Ta,V)$	Over temperature and supply	VDD-0.1			V
Input low voltage	$V_{IL}(Ta,V)$	Over temperature and supply			0.6	V
Output low voltage	V_{OL}	Over temperature and supply, $I_{sink} = 2mA$			0.25	V
SCL leakage	$I_{SCL,leak}$	$V_{SCL}=3V, Ta=+85^{\circ}C$			20	μA
SDA leakage	$I_{SDA,leak}$	$V_{SDA}=3V, Ta=+85^{\circ}C$			0.25	μA
SCL capacitance	C_{SCL}				10	pF
SDA capacitance	C_{SDA}				10	pF
Slave address	SA	Factory default		5A		hex
Wake up request	t_{wake}	SDA low	33			ms
SMBus Request	t_{REQ}	SCL low	1.44			ms
Timeout,low	$T_{imeout,L}$	SCL low	27		33	ms
Timeout, high	$T_{imeout,H}$	SCL high	45		55	μs
Acknowledge setup time	$T_{suac}(MD)$	8-th SCL falling edge, Master			1.5	μs
Acknowledge hold time	$T_{hdac}(MD)$	9-th SCL falling edge, Master			1.5	μs
Acknowledge setup time	$T_{suac}(SD)$	8-th SCL falling edge, Slave			2.5	μs
Acknowledge hold time	$T_{hdac}(SD)$	9-th SCL falling edge, Slave			1.5	μs
EEPROM						
Data retention		$Ta = +85^{\circ}C$	10			years
Erase/write cycles		$Ta = +25^{\circ}C$	100,000			Times
Erase/write cycles		$Ta = +125^{\circ}C$	10,000			Times
Erase cell time	T_{erase}			5		ms
Write cell time	T_{write}			5		ms

Table 4: Electrical specification MLX90614Bxx, Dxx

Note: refer to MLX90614Axx notes.

8 Detailed description

8.1 Block diagram

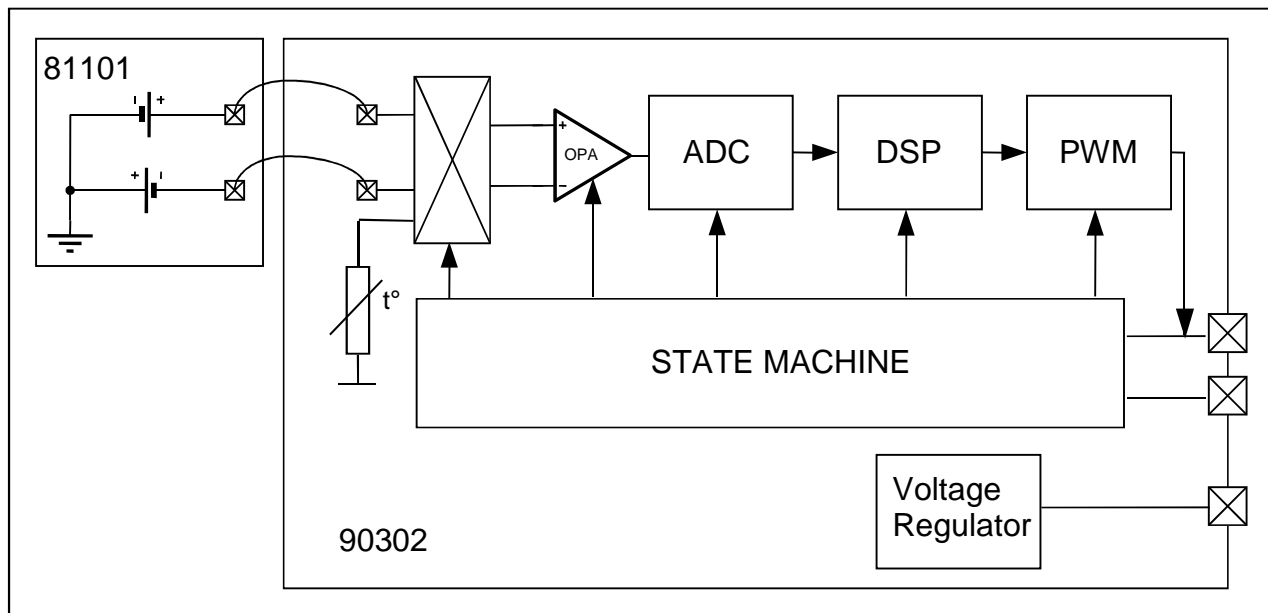


Figure 3: Block diagram

8.2 Signal processing principle

The operation of the MLX90614 is controlled by an internal state machine, which controls the measurements and calculations of the object and ambient temperatures and does the post-processing of the temperatures to output them through the PWM output or the SMBus compatible interface.

The ASSP supports 2 IR sensors (second one not implemented in the MLX90614xAx). The output of the IR sensors is amplified by a low noise low offset chopper amplifier with programmable gain, converted by a Sigma Delta modulator to a single bit stream and fed to a powerful DSP for further processing. The signal is treated by programmable (by means of EEPROM content) FIR and IIR low pass filters for further reduction of the band width of the input signal to achieve the desired noise performance and refresh rate. The output of the IIR filter is the measurement result and is available in the internal RAM. 3 different cells are available: One for the on-board temperature sensor and 2 for the IR sensors.

Based on results of the above measurements, the corresponding ambient temperature T_a and object temperatures T_o are calculated. Both calculated temperatures have a resolution of 0.01°C . The data for T_a and T_o can be read in two ways: Reading RAM cells dedicated for this purpose via the 2-wire interface (0.02°C resolution, fixed ranges), or through the PWM digital output (10 bit resolution, configurable range).

In the last step of the measurement cycle, the measured T_a and T_o are rescaled to the desired output resolution of the PWM) and the recalculated data is loaded in the registers of the PWM state machine, which creates a constant frequency with a duty cycle representing the measured data.

8.3 Block description

8.3.1 Amplifier

A low noise, low offset amplifier with programmable gain is used for amplifying the IR sensor voltage. By carefully designing the input modulator and balanced input impedance, the max offset of the system is 0.5 μ V.

8.3.2 Supply regulator and POR

The module can operate from 3 different supplies:

VDD = 5V \rightarrow MLX90614Axx

VDD = 3.3V \rightarrow MLX90614Bxx (battery or regulated supply)

VDD = 8...16V \rightarrow MLX90614Axx few external components are necessary please refer to “Applications information” section for information about adopting higher voltage supplies.

The Power On Reset (POR) is connected to Vdd supply. The on-chip POR circuit provides an active (high) level of the POR signal when the Vdd voltage rises above approximately 0.5V and holds the entire MLX90614 in reset until the Vdd is higher than the specified POR threshold V_{POR} . During the time POR is active, the POR signal is available as an open drain at the PWM/SDA pin. After the MLX90614 exits the POR condition, the function programmed in EEPROM takes precedence for that pin.

8.3.3 EEPROM

A limited number of addresses in the EEPROM memory can be changed by the customer. The whole EEPROM can be read through the SMBus interface.

EEPROM (32X16)		
Name	Address	Write access
To _{max}	0x00	Yes
To _{min}	0x01	Yes
PWMCTRL	0x02	Yes
Ta range	0x03	Yes
Emissivity correction coefficient	0x04	Yes
Config Register1	0x05	Yes
Melexis reserved	0x06	No
...
Melexis reserved	0x0D	No
SMBus address (LSByte only)	0x0E	Yes
Melexis reserved	0x0F	Yes
Melexis reserved	0x10	No
...
Melexis reserved	0x18	No
Melexis reserved	0x19	Yes
Melexis reserved	0x1A	No
Melexis reserved	0x1B	No
ID number	0x1C	No
ID number	0x1D	No
ID number	0x1E	No
ID number	0x1F	No

Table 5: EEPROM table

The addresses To_{max}, To_{min} and Ta range are for customer dependent object and ambient temperature ranges. For details see section 8.5.3 below in this document

The address **Emissivity** contains the object emissivity (factory default 1.0 = 0xFFFF), 16 bit.

$$\text{Emissivity} = \text{dec2hex}[\text{round}(65535 \times \epsilon)]$$

Where dec2hex[round(X)] represents decimal to hexadecimal conversion with round-off to nearest value (not truncation). In this case the physical emissivity values are $\epsilon = 0.1...1.0$.

Erase (write 0) must take place before write of desired data is made.

PWM period configuration: Period in extended PWM mode is twice the period in single PWM mode. In single PWM mode period is $T = 1.024 \cdot P$ [ms], where P is the number, written in bits 15...9 PWMCTRL. Maximum period is then 131.072 ms for single and 262.144 ms for extended. These values are typical and depend on the on-chip RC oscillator absolute value. The duty cycle must be calculated instead of working only with the high time only in order to avoid errors from the period absolute value deviations.

The address **PWMCTRL** consists of control bits for configuring the PWM/SDA pin as follows:

15	14	13	12	11	10	9	8	7	6	5	4	3	2	1	0	PWM control bit meaning
															0	- PWM extended mode
															1	- PWM single mode
															0	- PWM mode disabled (EN_PWM)
															1	- PWM mode enabled (EN_PWM)
															0	- SDA pin configured as Open Drain (PPODB)
															1	- SDA pin configured as Push-Pull (PPODB)
															0	- PWM mode selected (TRPWMB)
															1	- Thermal relay mode selected (TRPWMB)
																- PWM repetition number 0...62 step 2
																- PWM period 1.024*ms (Single PWM mode) or 2.048*ms (Extendet PWM mode) multiplied by the number written in this place (128 in case the number is 0)

* Values are valid for nominal HFO frequency

Table 6: PWM control bits

The address **ConfigRegister1** consists of control bits for configuring the analog and digital parts:

15	14	13	12	11	10	9	8	7	6	5	4	3	2	1	0	Config register bit meaning
															1 0 0	- IIR (100%) a1=1, b1=0
															1 0 1	- IIR (80%) a1=0.8, b1=0.2
															1 1 0	- IIR (67%) a1=0.666, b1=0.333
															1 1 1	- IIR (57%) a1=0.571, b1=0.428
															0 0 0	- IIR (50%) a1=0.5, b1=0.5
															0 0 1	- IIR (25%) a1=0.25, b1=0.75
															0 1 0	- IIR (17%) a1=0.166(6), b1=0.83(3)
															0 1 1	- IIR (13%) a1=0.125, b1=0.875
															0	- Repeat sensor test "OFF"
															1	- Repeat sensor test "ON"
															0 0	- Ta, Tobj1
															0 1	- Ta, Tobj2
															1 0	- Tobj2
															1 1	- Tobj1, Tobj2
															0	- Single IR sensor
															1	- Dual IR sensor
															0	- Positive sign of Ks
															1	- Negative sign of Ks
															0 0 0	- FIR = 8 not recommended
															0 0 1	- FIR = 16 not recommended
															0 1 0	- FIR = 32 not recommended
															0 1 1	- FIR = 64 not recommended
															1 0 0	- FIR = 128
															1 0 1	- FIR = 256
															1 1 0	- FIR = 512
															1 1 1	- FIR = 1024
															0 0 0	- GAIN = 1 - Amplifier is bypassed
															0 0 1	- GAIN = 3
															0 1 0	- GAIN = 6
															0 1 1	- GAIN = 12,5
															1 0 0	- GAIN = 25
															1 0 1	- GAIN = 50
															1 1 0	- GAIN = 100
															1 1 1	- GAIN = 100
															0	- Positive sign of Kt2
															1	- Negative sign of Kt2
															0	- Enable sensor test
															1	- Disable sensor test

Note: The following bits / registers should not be altered (except with special tools – contact Melexis for such tools availability) in order to keep the factory calibration relevant:

Ke [15...0]; Config Register1 [14...11;7;3]; addresses 0x0F and 0x19.

Table 7: Configuration register 1

Check www.melexis.com for latest application notes with details on EEPROM settings.

On-chip filtering and settling time:

The MLX90614 features configurable on-chip digital filters. They allow customization for speed or noise. Factory default configurations and the typical settling time and noise for the MLX90614 family are given below.

Device	Settling time, sec	Typical noise, °C rms	Spike limit
MLX90614AAA, BAA, DAA	0.10	0.05	100%
MLX90614ABA, BBA	0.14	0.07	100%
MLX90614ACC, BCC, DCC	0.14	0.18	100%
MLX90614ACF, BCF	1.33	0.10	50%
MLX90614DCH, DCI, BCH, BCI	0.65	0.10	80%

Table 8: factory default IIR and FIR configuration, settling time and typical noise

Details on the filters are given in the application note “Understanding MLX90614 on-chip digital signal filters” available from www.melexis.com.

The evaluation board, EVB90614 supported by PC SW allows easy configuration of the filters, while not requiring in-depth understanding of the EEPROM.

The available filter settings and the settling times are listed below. Settling time depends on three configurations: single / dual zone, IIR filter settings and FIR filter settings. The FIR filter has a straight forward effect on noise (4 times decreasing of filter strength increases the noise 2 times and vice versa). The IIR filter provides an additional, spike limiting feature. Spike limit defines the level of magnitude to which the spike would be limited – for example, 25% denotes that if a 20°C temperature delta spike is measured the temperature reading by the MLX90614 will spike only 5°C.

IIR setting	FIR setting	Settling time (s)		Spike limit
		90614xAx	90614xBx, 90614xCx	
xxx	000...011	Not recommended		
100	100	0.04	0.06	100.00%
100	101	0.05	0.07	100.00%
100	110	0.06	0.10	100.00%
100	111	0.10	0.14	100.00%
101	100	0.12	0.20	80.00%
101	101	0.16	0.24	80.00%
101	110	0.22	0.34	80.00%
101	111	0.35	0.54	80.00%
110	100	0.24	0.38	66.70%
110	101	0.30	0.48	66.70%
110	110	0.43	0.67	66.70%
110	111	0.70	1.10	66.70%
111	100	0.26	0.42	57.00%
111	101	0.34	0.53	57.00%
111	110	0.48	0.75	57.00%
111	111	0.78	1.20	57.00%
000	100	0.30	0.47	50.00%
000	101	0.37	0.60	50.00%
000	110	0.54	0.84	50.00%
000	111	0.86	1.33	50.00%
001	100	0.70	1.10	25.00%
001	101	0.88	1.40	25.00%
001	110	1.30	2.00	25.00%
001	111	2.00	3.20	25.00%
010	100	1.10	1.80	16.70%
010	101	1.40	2.20	16.70%
010	110	2.00	3.20	16.70%
010	111	3.30	5.00	16.70%
011	100	1.50	2.40	12.50%
011	101	1.90	3.00	12.50%
011	110	2.80	4.30	12.50%
011	111	4.50	7.00	12.50%

Table 9: possible IIR and FIR settings

Note: Settling time is in seconds and depends on internal oscillator absolute value. 100% spike limit appears with the IIR filter bypassed, and there is no spike limitation.

8.3.4 RAM

It is not possible to write into the RAM memory. It can only be read and only a limited number of RAM registers are of interest to the customer.

RAM (32x17)		
Name	Address	Read access
Melexis reserved	0x00	Yes
...
Melexis reserved	0x03	Yes
Raw data IR channel 1	0x04	
Raw data IR channel 2	0x05	
T _A	0x06	Yes
T _{OBJ1}	0x07	Yes
T _{OBJ2}	0x08	Yes
Melexis reserved	0x09	Yes
...
Melexis reserved	0x1F	Yes

Table 10: Ram addresses

8.4 SMBus compatible 2-wire protocol

The chip supports a 2 wires serial protocol, build with pins PWM / SDA and SCL.

- SCL – digital input only, used as the clock for SMBus compatible communication. This pin has the auxiliary function for building an external voltage regulator. When the external voltage regulator is used, the 2-wire protocol is available only if the power supply regulator is overdriven.
- PWM / SDA – Digital input / output, used for both the PWM output of the measured object temperature(s) or the digital input / output for the SMBus. In PWM mode the pin can be programmed in EEPROM to operate as Push / Pull or open drain NMOS (open drain NMOS is factory default). In SMBus mode SDA is forced to open drain NMOS I/O, push-pull selection bit defines PWM / Thermal relay operation.

SMBus communication with MLX90614 is covered in details in application notes, available from www.melexis.com.

8.4.1 Functional description

The SMBus interface is a 2-wire protocol, allowing communication between the Master Device (MD) and one or more Slave Devices (SD). In the system only one master can be presented at any given time [1]. The MLX90614 can only be used as a slave device.

Generally, the MD initiates the start of data transfer by selecting a SD through the Slave Address (SA).

The MD has read access to the RAM and EEPROM and write access to 9 EEPROM cells (at addresses 0x00, 0x01, 0x02, 0x03, 0x04, 0x05*, 0x0E, 0x0F, 0x09). If the access to the MLX90614 is a read operation it will respond with 16 data bits and 8 bit PEC only if its own slave address, programmed in internal EEPROM, is equal to the SA, sent by the master. The SA feature allows connecting up to 127 devices (SA=0x00...0x07F) with only 2 wires, unless the system has some of the specific features described in paragraph 5.2 of reference [1]. In order to provide access to any device or to assign an address to a SD before it is connected to the bus system, the communication must start with zero SA followed by low R/W bit. When this command is sent from the MD, the MLX90614 will always respond and will ignore the internal chip code information.

Special care must be taken not to put two MLX90614 devices with the same SA on the same bus as MLX90614 does not support ARP [1].

The MD can force the MLX90614 into low consumption mode “sleep mode” (3V version only). Read flags like “EEBUSY” (1 – EEPROM is busy with executing the previous write/erase), “EE_DEAD” (1 – there is fatal EEPROM error and this chip is not functional**).

Note*: This address is readable and writable. Bit 3 should not be altered as this will cancel the factory calibration.

Note**: EEPROM error signaling is implemented in automotive grade parts only.

8.4.2 Differences with the standard SMBus specification (reference [1])

There are eleven command protocols for standard SMBus interface. The MLX90614 supports only two of them. Not supported commands are:

- Quick Command
- Byte commands - Sent Byte, Receive Byte, Write Byte and Read Byte
- Process Call
- Block commands – Block Write and Write-Block Read Process Call

Supported commands are:

- Read Word
- Write Word

8.4.3 Detailed description

The PWM / SDA pin of MLX90614 can operate also as PWM output, depending on the EEPROM settings. If PWM is enabled, after POR the PWM / SDA pin is directly configured as PWM output. Even if the device is in PWM mode SMBus communication may be restored by a special command. That is why hereafter both modes are treated separately.

8.4.3.1 Bus Protocol

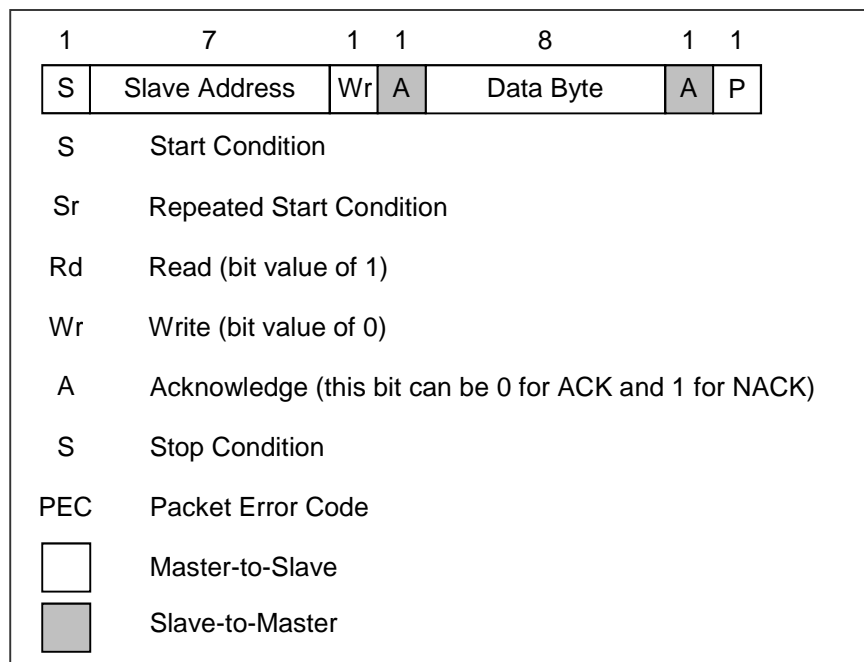


Figure 4: SMBus packet element key

After every received 8 bits the SD should issue ACK or NACK. When a MD initiates communication, it first sends the address of the slave and only the SD which recognizes the address will ACK, the rest will remain silent. In case the SD NACKs one of the bytes, the MD should stop the communication and repeat the message. A NACK could be received after the PEC. This means that there is an error in the received message and the MD should try sending the message again. The PEC calculation includes all bits except the START,

REPEATED START, STOP, ACK, and NACK bits. The PEC is a CRC-8 with polynomial X^8+X^2+X+1 . The Most Significant Bit of every byte is transferred first.

8.4.3.1.1 Read Word (depending on the command – RAM or EEPROM)

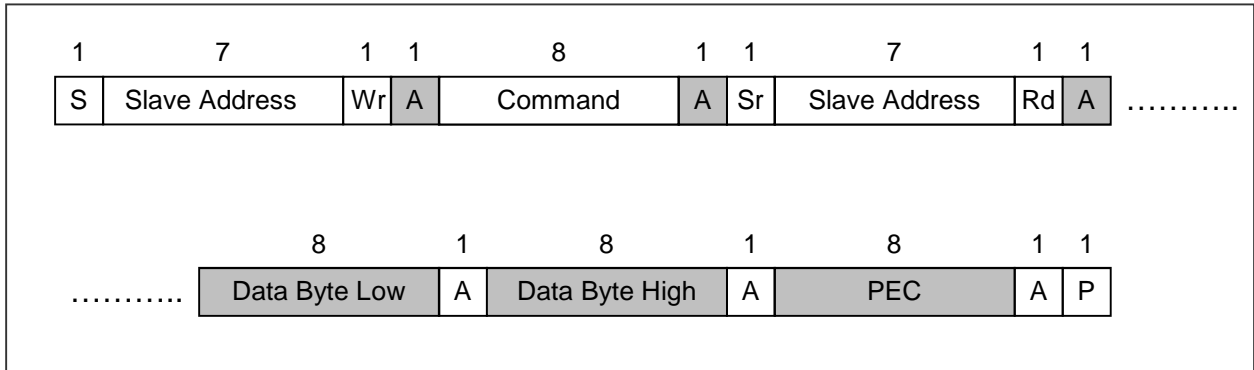


Figure 5: SMBus read word format

8.4.3.1.2 Write Word (depending on the command – RAM or EEPROM)

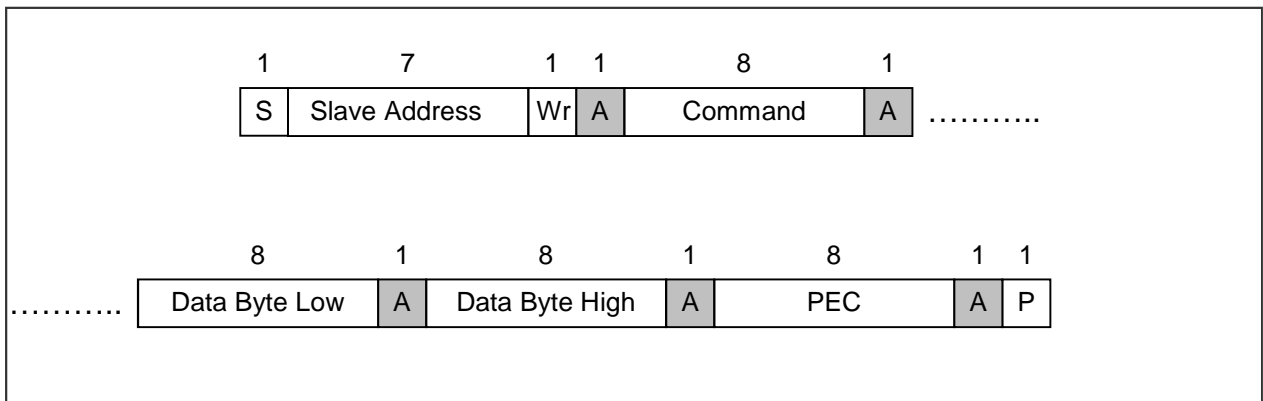


Figure 6: SMBus write word format

8.4.4 Bit transfer

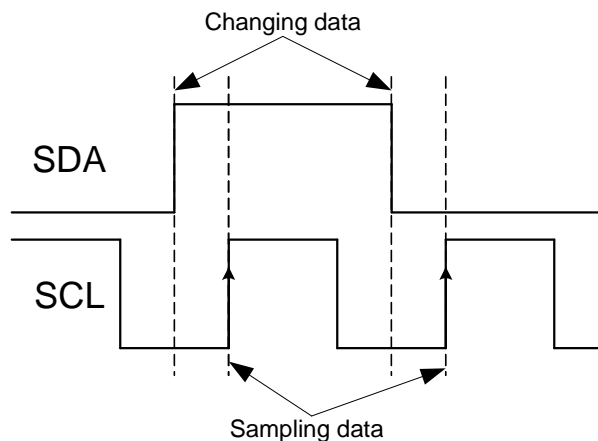


Figure 7: Recommended timing on SMBus

The data on PWM / SDA must be changed when SCL is low (min 300ns after the falling edge of SCL). The data is fetched by both MD and SDs on the rising edge of the SCL. The recommended timing for changing data is in the middle of the period when the SCL is low.

8.4.5 Commands

RAM and EEPROM can be read both with 32x16 sizes. If the RAM is read, the data are divided by two, due to a sign bit in RAM (for example, T_{O1} - RAM address 0x07 will sweep between 0x27AD to 0x7FFF as the object temperature rises from -70.01°C to +382.19°C). The MSB read from RAM is an error flag (active high) for the linearized temperatures (T_{O1} , T_{O2} and T_a). The MSB for the raw data (e.g. IR sensor1 data) is a sign bit (sign and magnitude format). A write of 0x0000 must be done prior to writing in EEPROM in order to erase the EEPROM cell content. Refer to EEPROM detailed description for factory calibration EEPROM locations that need to be kept unaltered.

Opcode	Command
000x xxxx*	RAM Access
001x xxxx*	EEPROM Access
1111_0000**	Read Flags
1111_1111	Enter SLEEP mode

Table 11: SMBus commands

Note*: The xxxxx represent the 5 LSBits of the memory map address to be read / written.

Note**: Behaves like read command. The MLX90614 returns PEC after 16 bits data of which only 4 are meaningful and if the MD wants it, it can stop the communication after the first byte. The difference between read and read flags is that the latter does not have a repeated start bit.

Flags read are:

Data[7] - EEBUSY - the previous write/erase EEPROM access is still in progress. High active.

Data[6] - Unused

Data[5] - EE_DEAD - EEPROM double error has occurred. High active.

Data[4] - INIT - POR initialization routine is still ongoing. Low active.

Data[3] - Not implemented.

Data[2...0] and Data[8...15] - All zeros.

Flag read is a diagnostic feature. The MLX90614 can be used regardless of these flags.

For details and examples for SMBus communication with the MLX90614 check the www.melexis.com

8.4.6 SMBus communication examples

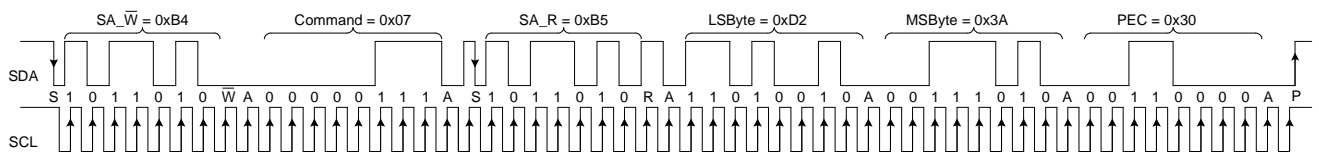


Figure 8: Read word format (SA=0x5A, read RAM=0x07, result=0x3AD2, PEC=0x30)

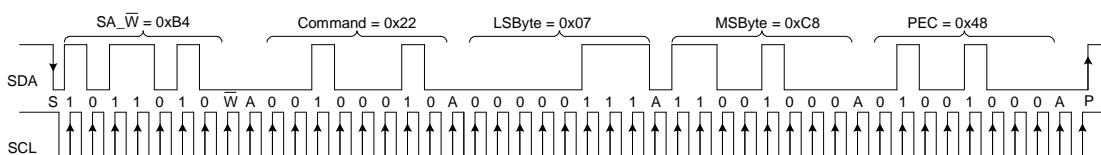


Figure 9: Write word format (SA=0x5A, write EEPROM=0x02, data=0xC807, PEC=0x48)

8.4.7 Timing specification

The MLX90614 meets all the timing specifications of the SMBus [1]. The maximum frequency of the MLX90614 SMBus is 100 KHz and the minimum is 10 KHz.

The specific timings in MLX90614's SMBus are:

SMBus Request (t_{REQ}) is the time that the SCL should be forced low in order to switch MLX90614 from PWM mode to SMBus mode – at least 1.44ms;

Timeout L is the maximum allowed time for SCL to be low during communication. After this time the MLX90614 will reset its communication block and will be ready for new communication – not more than 27ms;

Timeout H is the maximum allowed time for SCL to be high during communication. After this time MLX90614 will reset its communication block assuming that the bus is idle (according to the SMBus specification) – not more than 45 μ s.

$T_{suac}(SD)$ is the time after the eighth falling edge of SCL that MLX90614 will force PWM / SDA low to acknowledge the last received byte – not more than 2,5 μ s.

$T_{hdac}(SD)$ is the time after the ninth falling edge of SCL that MLX90614 will release the PWM / SDA (so the MD can continue with the communication) – not more than 1,5 μ s.

$T_{suac}(MD)$ is the time after the eighth falling edge of SCL that MLX90614 will release PWM / SDA (so that the MD can acknowledge the last received byte) – not more than 1,5 μ s.

$T_{hdac}(MD)$ is the time after the ninth falling edge of SCL that MLX90614 will take control of the PWM / SDA (so it can continue with the next byte to transmit) – not more than 1,5 μ s.

The indexes MD and SD for the latest timings are used – MD when the master device is making acknowledge; SD when the slave device is making acknowledge. For other timings see [1].

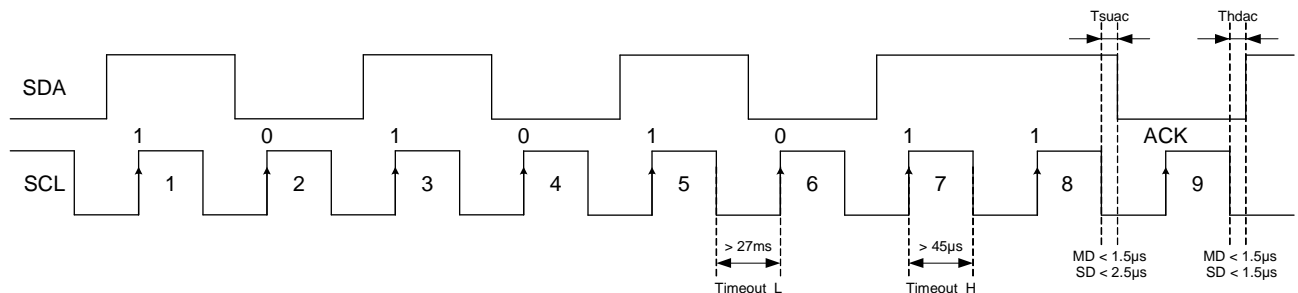


Figure 10: SMBus timing specification and definition

8.4.8 Sleep Mode

The MLX90614 can enter in Sleep Mode via the command “Enter SLEEP mode” sent via the SMBus interface. This mode is not available for the 5V supply version. There are two ways to put MLX90614 into power-up default mode:

- POR
- By Wake up request → SCL pin high and then PWM/SDA pin low for at least $t_{DDQ} > 33ms$

If EEPROM is configured for PWM (EN_PWM is high), the PWM interface will be selected after awakening and if PWM control [2], PPODB is 1 the MLX90614 will output a PWM pulse train with push-pull output.

NOTE: In order to limit the current consumption to the typical 2.5µA Melexis recommends that the SCL pin is kept low during sleep as there is leakage current through the internal synthesized zener diode connected to SCL pin. This may be achieved by configuring the MD driver of SCL pin as Push-Pull and not having Pull-Up resistor connected on SCL line.

8.4.8.1 Enter Sleep Mode

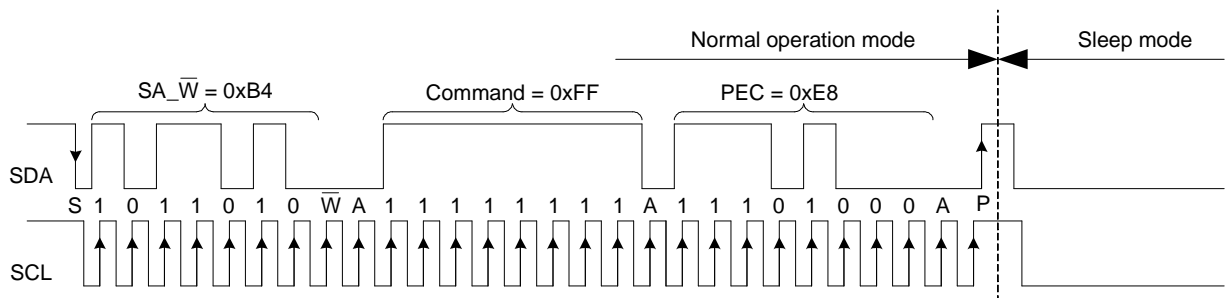


Figure 11: Enter sleep mode command (SA = 0x5A, Command = 0xFF, PEC = 0xE8)

8.4.8.2 Exit from Sleep Mode (Wake up request)

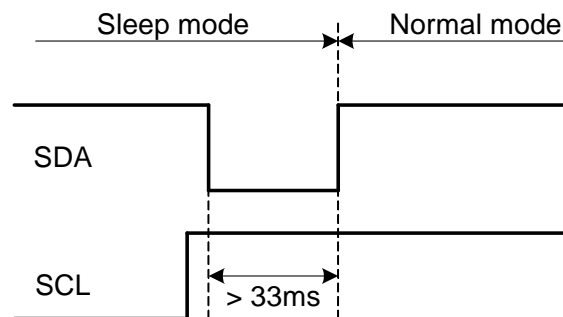


Figure 12: Exit Sleep Mode

After wake up the first data is available after 0.25 seconds (typ). On-chip IIR filter is skipped for the very first measurement. All measurements afterwards pass the embedded digital filtering as configured in EEPROM. Details on embedded filtering are available in application note “Understanding MLX90614 on-chip digital signal filters”, available from www.melexis.com

8.4.9 MLX90614 SMBus specific remarks

The auxiliary functions of the SCL pin (zener diode) add undershoot to the clock pulse (5V devices only) as shown in the picture below (see Figure 13). This undershoot is caused by the transient response of the on-chip synthesized Zener diode. Typical duration of undershoot is approximately 15µs. An increased reactance of the SCL line is likely to increase this effect. Undershoot does not affect the recognition of the SCL rising edge by the MLX90914, but may affect proper operation of non-MLX90614 slaves on the same bus.

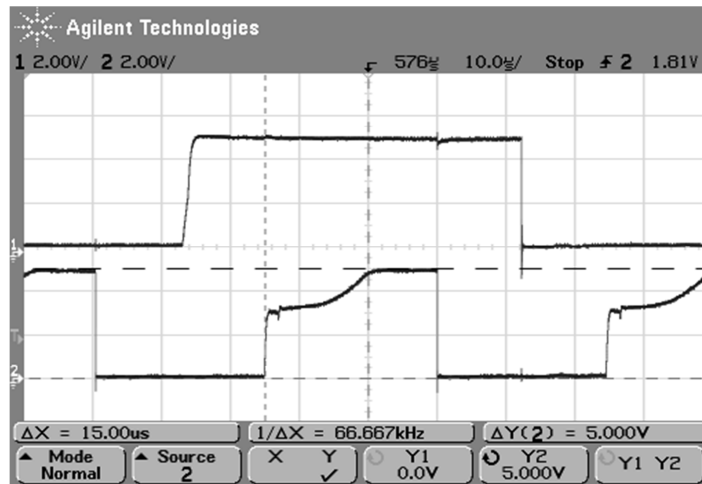


Figure 13: Undershoot of SCL line due to on chip synthesized Zener diode (5V versions only)

Continuous SMBus readings can introduce an error. As the SCL line inside TO39 package is passing relatively close to the sensor input and an error signal is induced to the sensor output. The manifestation of the problem is wrong temperature readings. This is especially valid for narrow FOV devices. Possible solution is to keep SDA and SCL line quiet for a period longer than the refresh rate and settling time defined by internal settings of MLX90614 prior to reading the temperature or switch to PWM signal and completely disconnect from SDA and SCL line.

8.5 PWM

The MLX90614 can be read via PWM or SMBus compatible interface. Selection of PWM output is done in EEPROM configuration (factory default is SMBus). PWM output has two programmable formats, single and dual data transmission, providing single wire reading of two temperatures (dual zone object or object and ambient). The PWM period is derived from the on-chip oscillator and is programmable.

Config Register[5:4]	PWM1 data	PWM2 data	Tmin,1	Tmax,1	Tmin,2	Tmax,2
00	T_A	T_{O1}	$T_{A_range,L}$	$T_{A_range,H}$	T_{O_MIN}	T_{O_MAX}
01	T_A	T_{O2}	$T_{A_range,L}$	$T_{A_range,H}$	T_{O_MIN}	T_{O_MAX}
11	T_{O1}	T_{O2}	T_{O_MIN}	T_{O_MAX}	T_{O_MIN}	T_{O_MAX}
10*	T_{O2}	Undefined	T_{O_MIN}	T_{O_MAX}	N.A.	N.A.

Table 12: PMW configuration table

Note: Serial data functions (2-wire / PWM) are multiplexed with a thermal relay function (described in the "Thermal relay" section).

* Not recommended for extended PWM format operation

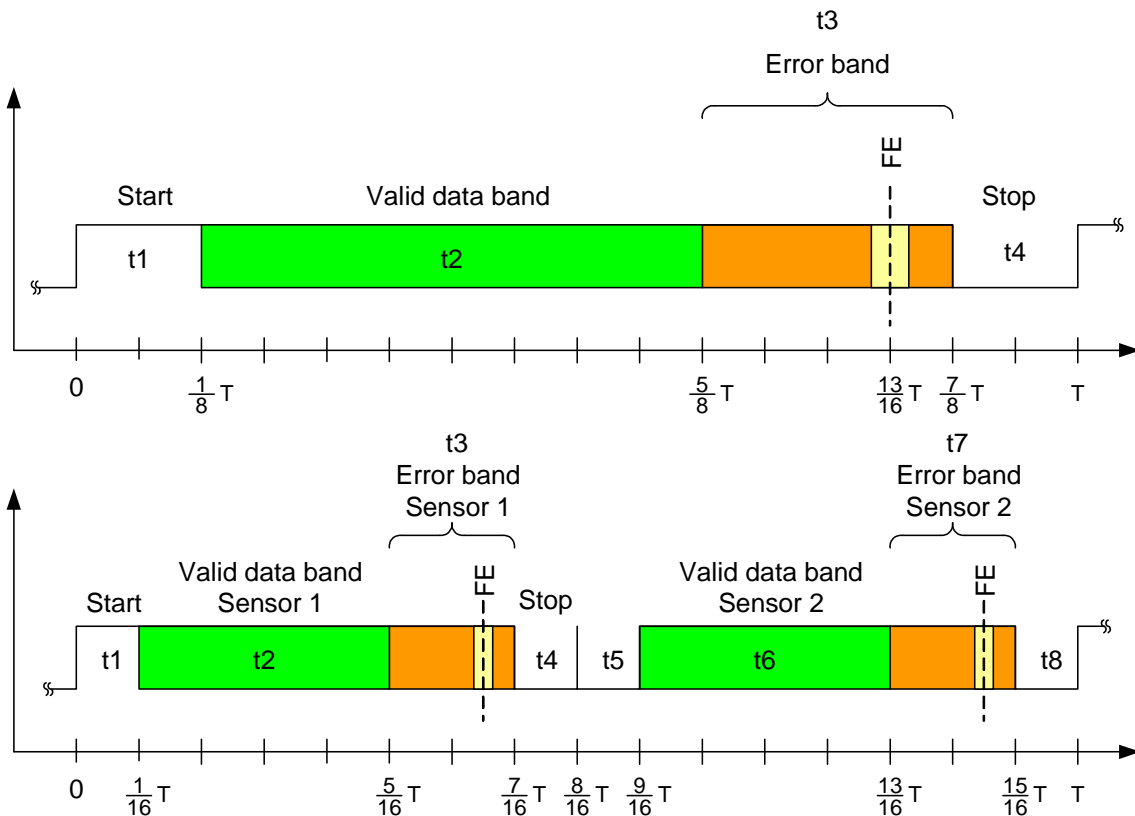


Figure 14: PWM timing single (above) and extended PWM (bellow)

PWM type	t1	t2	t3	t4	t5	t6	t7	t8
Single	1/8 - high	4/8 - var	2/8	1/8 - low	NA	NA	NA	NA
Extended - S1	1/16 - high	4/16 - var	2/16	1/16 - low	1/16 - low	4/16 - low	2/16 - low	1/16 - low
Extended - S2	1/16 - high	4/16 - high	2/16 - high	1/16 - high	1/16 - high	4/16 - var	2/16	1/16 - low

Table 13: PMW timing

8.5.1 Single PWM format

In single PWM output mode the settings for PWM1 data only are used. The temperature reading can be calculated from the signal timing as:

$$T_{OUT} = \left(\frac{2t_2}{T} \times (T_{O_MAX} - T_{O_MIN}) \right) + T_{O_MIN}$$

where Tmin and Tmax are the corresponding rescale coefficients in EEPROM for the selected temperature output (Ta, object temperature range is valid for both Tobj1 and Tobj2 as specified in the previous table) and T is the PWM period. Tout is T_{O1} , T_{O2} or T_a according to Config Register [5:4] settings.

The different time intervals $t_1 \dots t_4$ have following meaning:

t_1 : Start buffer. During this time the signal is always high. $t_1 = 0.125s \times T$ (where T is the PWM period, please refer to Figure 14).

t_2 : Valid Data Output Band, $0 \dots 1/2T$. PWM output data resolution is 10 bit.

t_3 : Error band – information for fatal error in EEPROM (double error detected, not correctable).

$t_3 = 0.25s \times T$. Therefore a PWM pulse train with a duty cycle of 0.875 will indicate a fatal error in EEPROM (for single PWM format). FE means Fatal Error.

Example:

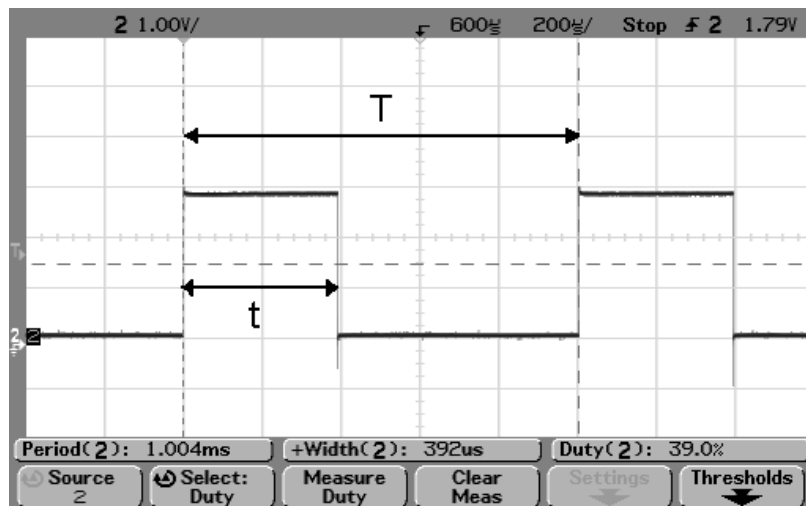


Figure 15: PWM example single mode

$$T_{O_MIN} = 0^{\circ}C \rightarrow T_{O_MIN} (EEPROM, 0x01) = 100 \times (T_{O_MIN} + 273.15) = 27315d = 0x6AB3$$

$$T_{O_MAX} = 50^{\circ}C \rightarrow T_{O_MAX} (EEPROM, 0x00) = 100 \times (T_{O_MAX} + 273.15) = 32315d = 0x7E3B$$

Captured PWM period is $T = 1004\mu s$

Captured high duration is $t = 392\mu s$

Calculated duty cycle is:

$$D = \frac{t}{T} = \frac{392}{1004} = 0.3904 \text{ or } 39.04\%$$

The temperature is calculated as follows:

$$T_o = 2 \times (0.3904 - 0.125) \times (50 - 0) + 0 = 2 \times 0.2654 \times 50 = 26.54^{\circ}C$$

8.5.2 Extended PWM format

The PWM format for extended PWM is shown in Figure 16. Note that with bits DUAL[5:1]>0x00 each period will be outputted 2N+1 times, where N is the decimal value of the number written in DUAL[5:1] (DUAL[5:1]=PWM control & clock [8:4]), like shown on Figure 16.

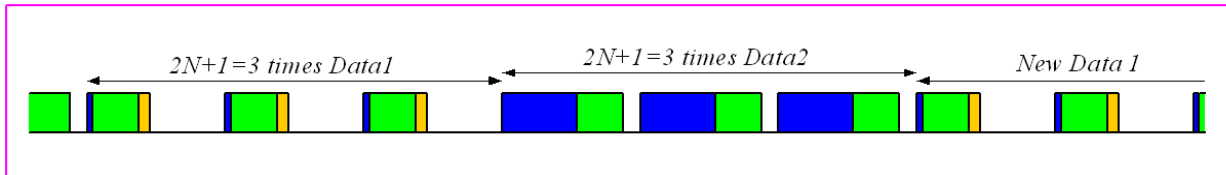


Figure 16: Extended PWM format with DUAL [5:1] = 01h (2 repetitions for each data)

The temperature transmitted in Data 1 field can be calculated using the following equation:

$$T_{OUT1} = \left(\frac{4t_2}{T} \times (T_{MAX1} - T_{MIN1}) \right) + T_{MIN1}$$

For Data 2 field the equation is:

$$T_{OUT2} = \left(\frac{4t_5}{T} \times (T_{MAX2} - T_{MIN2}) \right) + T_{MIN2}$$

Time bands are: $t_1=0.0625 \times T$ (Start1), $t_3=0.125 \times T$ and $t_4=0.5625 \times T$ (Start2 = Start1 + Valida_data1 + error_band1 + stop1 + start2). As shown in Figure 13, in extended PWM format the period is twice the period for the single PWM format. All equations provided herein are given for the single PWM period T. The EEPROM Error band signaling will be 43.75% duty cycle for Data1 and 93.75% for Data2.

Note: EEPROM error signaling is implemented in automotive grade parts only.

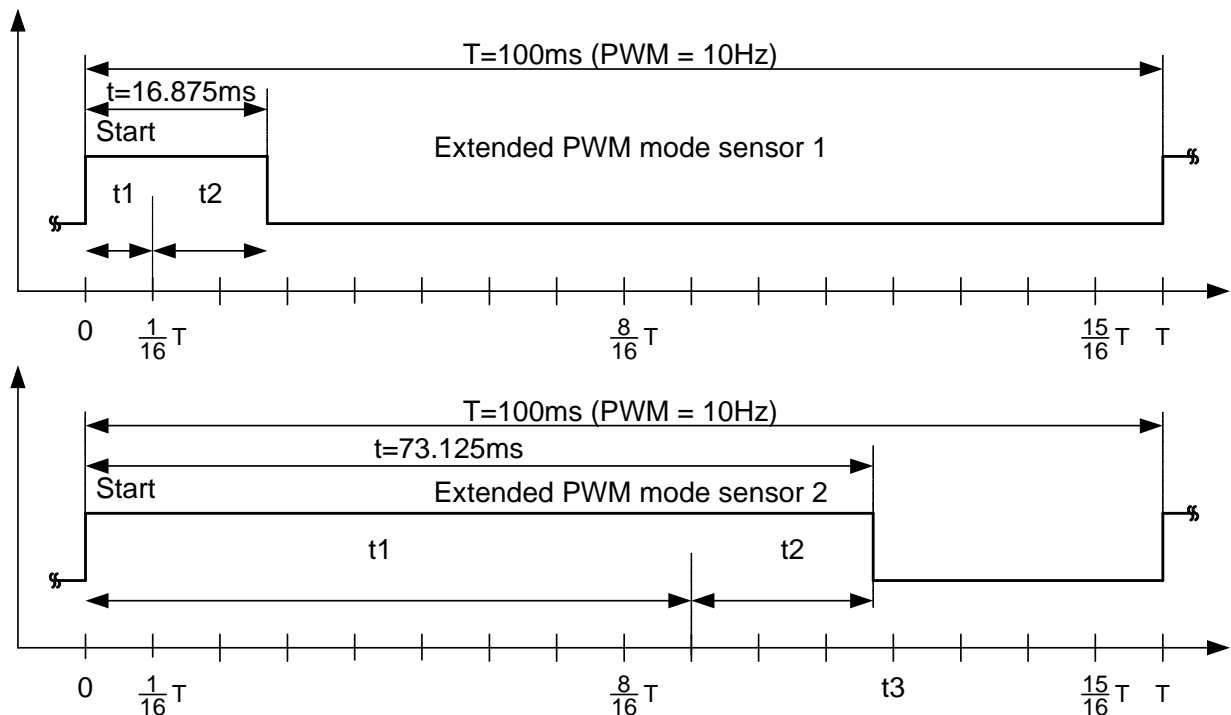


Figure 17: Example: Extended PWM mode readings – sensor 1 above and sensor 2 below

Example: (see Figure 17 above):

Configuration:

Sensor1 = Ta, Sensor2 = T_{obj1} → Config Reg[5:4] = 00b,

$$T_{A_MIN} = 0^{\circ}C \rightarrow T_{A_RANGE_L}(EEPROM) = 100 \times \frac{(T_{A_min} + 38.2)}{64} = 59.6875 \approx 60d = 0x3C$$

$$T_{A_MAX} = 60^{\circ}C \rightarrow T_{A_RANGE_H}(EEPROM) = 100 \times \frac{(T_{A_max} + 38.2)}{64} = 153.4375 \approx 153d = 0x99$$

$$T_{A_RANGE}(EEPROM, 0x03) = \{T_{A_RANGE_H} : T_{A_RANGE_L}\} = 0x993C$$

$$T_{O_MIN} = 0^{\circ}C \rightarrow T_{O_MIN}(EEPROM, 0x01) = 100 \times (T_{O_min} + 273.15) = 27315d = 0x6AB3$$

$$T_{O_MAX} = 50^{\circ}C \rightarrow T_{O_MAX}(EEPROM, 0x00) = 100 \times (T_{O_min} + 273.15) = 32315d = 0x7E3B$$

Captured high durations are:

$$\text{Sensor 1} - t = 16.875\text{ms at period } T = 100\text{ms thus the duty cycle is } Duty_{S1} = \frac{16.875}{100} = 0.16875$$

$$\text{Sensor 2} - t = 73.125\text{ms at period } T = 100\text{ms thus the duty cycle is } Duty_{S2} = \frac{73.125}{100} = 0.73125$$

The temperatures are calculated as follows:

$$T_A = 4 \times (Duty_{S1} - Start1) \times (T_{A_MAX} - T_{A_MIN}) + T_{A_MIN}$$

$$T_A = 4 \times (0.16875 - 0.0625) \times (60 - 0) + 0 = 25.5^{\circ}C$$

$$T_{O1} = 4 \times (Duty_{S2} - Start2) \times (T_{O_MAX} - T_{O_MIN}) + T_{O_MIN}$$

$$T_{O1} = 4 \times (0.73125 - 0.5625) \times (50 - 0) + 0 = 33.75^{\circ}C$$

8.5.3 Customizing the temperature range for PWM output

The calculated ambient and object temperatures are stored in RAM with a resolution of 0.01°C (16 bit). The PWM operates with a 10-bit word so the transmitted temperature is rescaled in order to fit in the desired range.

For this goal 2 cells in EEPROM are foreseen to store the desired range for To (To_{min} and To_{max}) and one for Ta (Ta_{range}: the 8MSB are foreseen for Ta_{max} and the 8LSB for Ta_{min}). Thus the output range for To can be programmed with an accuracy of 0.01°C, while the corresponding Ta range can be programmed with an accuracy of 0.64°C.

The object data for PWM is rescaled according to the following equation:

$$T_{PWM_{obj}} = \frac{T_{RAM} - T_{MIN_{EEPROM}}}{K_{PWM_{obj}}}, K_{PWM_{obj}} = \frac{T_{MAX_{EEPROM}} - T_{MIN_{EEPROM}}}{1023}$$

The T_{RAM} is the linearized T_{obj} , 16-bit (0x0000...0xFFFF, 0x0000 for -273.15°C and 0xFFFF for +382.2°C) and the result is a 10-bit word, in which 0x000 corresponds to $T_{o_{MIN}}$ [°C], 0x3FF corresponds to $T_{o_{MAX}}$ [°C] and 1LSB corresponds to $\frac{T_{o_{MAX}} - T_{o_{MIN}}}{1023}$ [°C].

$$T_{MIN_EEPROM} = T_{MIN} \times 100 \text{ LSB}$$

$$T_{MAX_EEPROM} = T_{MAX} \times 100 \text{ LSB}$$

The ambient data for PWM is rescaled according to the following equation:

$$T_{PWM\ ambient} = \frac{T_{RAM} - T_{MIN_EEPROM}}{K_{PWM\ ambient}}$$

Where:

$$K_{PWM\ ambient} = \frac{T_{MAX_EEPROM} - T_{MIN_EEPROM}}{1023}$$

The result is a 10-bit word, where 0x000 corresponds to -38.2°C (lowest T_a that can be read via PWM), 0x3FF corresponds to 125°C (highest T_a that can be read via PWM) and 1LSB corresponds to:

$$1LSB = \frac{T_{MAX} - T_{MIN}}{1023}, [^{\circ}C]$$

$$T_{MIN_EEPROM} = (T_{MIN} - (-38.2)) \times \frac{100}{64} \text{ LSB}$$

$$T_{MAX_EEPROM} = (T_{MAX} - (-38.2)) \times \frac{100}{64} \text{ LSB}$$

8.6 Switching Between PWM / Thermal relay and SMBus communication

8.6.1 PWM is enabled

The diagram below illustrates the way of switching to SMBus if PWM / Thermal Relay is enabled (factory programmed POR default for MLX90614 is SMBus, PWM disabled). Note that the SCL pin needs to be kept high in order to use PWM.

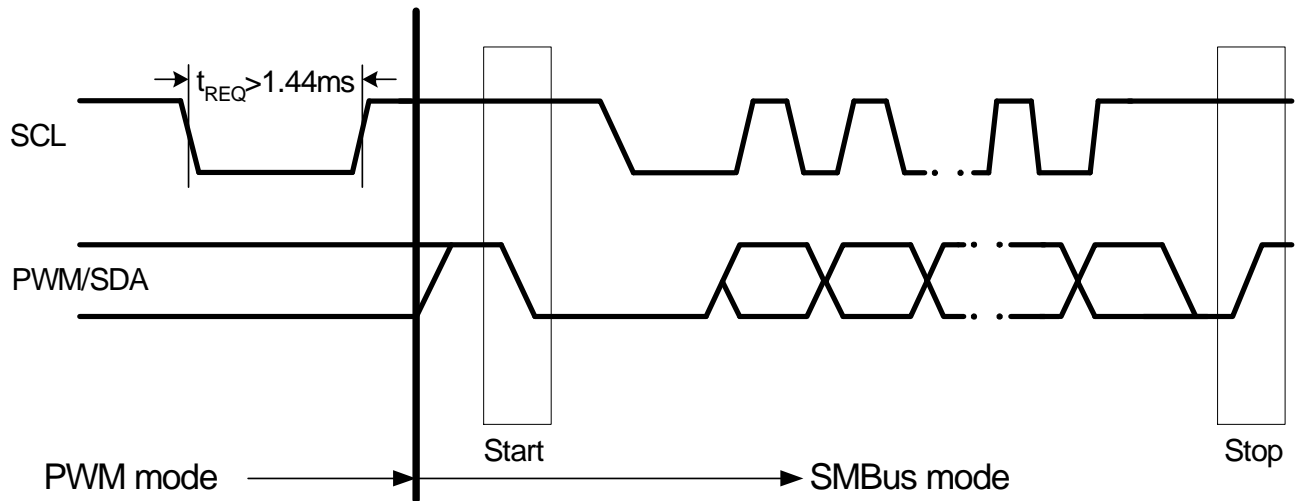


Figure 18: Switching from PWM mode to SMBus

8.6.2 Request condition

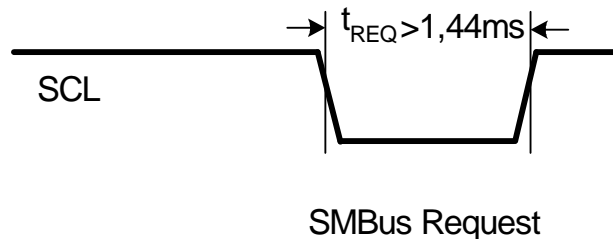


Figure 19: Request (switch to SMBus) condition

If PWM / Thermal relay is enabled, the MLX90614's SMBus Request condition is needed to disable PWM / Thermal relay and reconfigure PWM/SDA pin before starting SMBus communication. Once PWM / Thermal relay is disabled, it can be only enabled by switching the supply OFF – ON or exit from Sleep Mode. The MLX90614's SMBus request condition requires forcing LOW the SCL pin for period longer than the request time ($t_{REQ} > 1,44ms$). The SDA line value is ignored and is irrelevant in this case.

8.6.3 PWM is disabled

If PWM is disabled by means of EEPROM the PWM / SDA pin is directly used for the SMBus purposes after POR. **Request condition should not be sent in this case.**

8.7 Computation of ambient and object temperatures

The IR sensor consists of serial connected thermo-couples with cold junctions placed at thick chip substrate and hot junctions, placed over thin membrane. The IR radiation absorbed from the membrane heats (or cools) it. The thermopile output signal is:

$$V_{ir}(T_a, T_o) = A \times (T_o^4 - T_a^4)$$

Where T_o is the absolute object temperature (Kelvin), T_a is the sensor die absolute (Kelvin) temperature, and A is the overall sensitivity.

An on board temperature sensor is needed to measure the chip temperature. After measurement of the output of both sensors, the corresponding ambient and object temperatures can be calculated. These calculations are done by the internal DSP, which produces digital outputs, linearly proportional to measured temperatures.

8.7.1 Ambient temperature T_a

The Sensor die temperature is measured with a PTAT element. All the sensors conditioning and data processing is handled on-chip and the linearized sensor die temperature T_a is available in memory.

The resolution of the calculated temperature is 0.02°C. The sensor is factory calibrated for the full automotive range -40...+125°C. The linearized die temperature is available in RAM cell 0x06:

- 0x06=0x2DE4 (11748d) corresponds to -38.2°C (linearization output lower limit)
- 0x06=0x4DC4 (19908d) corresponds to +125°C. (linearization output higher limit)

The conversions from RAM content to real T_a is easy using the following relation:

$$T_a[^\circ K] = T_{areg} \times 0.02, \text{ or } 0.02^\circ K / \text{LSB.}$$

8.7.2 Object temperature T_o

The result has a resolution of 0.02 °C and is available in RAM. T_o is derived from RAM as:

$$T_o[^\circ K] = T_{oreg} \times 0.02, \text{ or } 0.02^\circ K / \text{LSB.}$$

Please note that 1LSB corresponds to 0,02° and the MSB bit is error flag (if “1” then error).

Example:

1. 0x27AD → -70.00°C (no error)
2. 0x27AE → -69.98°C (no error)
3. 0x3AF7 → 28.75°C (no error)
4. 0x3AF8 → 28.77°C (no error)
5. 0x7FFF → 382.19°C (no error) - maximum possible value returned by MLX90614
6. 0x8XXX → xxx.xx°C (flag error)

The result is calculated by following expressions (valid for both T_o and T_a):

1. Convert it to decimal value i.e. 0x3AF7 = 15095d

2. Divide by 50 (or multiply by 0.02) i.e. $\frac{15095}{50} = 301.9$ K (result is in Kelvin)

3. Convert K -> °C i.e. 301.9 - 273.15 = 28.75°C

8.7.3 Calculation flow

The measurement, calculation and linearization are held by core, which executes a program from ROM. After POR the chip is initialized with calibration data from EEPROM. During this phase the number of IR sensors is selected and it is decided which temperature sensor will be used. Measurements, compensation and linearization routines run in a closed loop afterwards.

Processing ambient temperature includes:

- Offset measurement with fixed length FIR filter
- Additional filtering with fixed length IIR filter. The result is stored into RAM as T_{OS}
- Temperature sensor measurement using programmable length FIR *.
- Offset compensation
- Additional processing with programmable length IIR **. The result is stored into RAM as T_D .
- Calculation of the ambient temperature. The result is stored into RAM address 0x06 as T_A

Processing of the object temperature consists of three parts.

The first one is common for both IR sensors, the third part can be skipped if only one IR sensor is used.

IR offset:

- Offset measurement with a fixed length FIR
- Additional filtering with a fixed length IIR. The result is stored into RAM as IR_{OS} .
- Gain measurement with fixed length FIR filter
- Offset compensation
- Additional gain filtering with fixed length IIR, storing the result into RAM as IR_G .
- Gain compensation calculation, the result is stored into RAM as K_G

Object temperature:

IR1 sensor:

- IR sensor measurement with programmable length FIR filter *.
- Offset compensation
- Gain compensation
- Filtering with programmable length IIR filter**, storing the result into RAM address 0x04 as

IR_{1D} .

- Calculation of the object temperature. The result is available in RAM address 0x07 as T_{O1} .

IR2 sensor:

- IR sensor measurement with programmable length FIR filter *.
- Offset compensation
- Gain compensation
- Filtering with programmable length IIR filter**, storing the result into RAM address 0x05 as IR_{2D}
- Calculation of the object temperature. The result is available in RAM address 0x08 as T_{O2}

PWM calculation:

- Recalculate the data for PWM with 10 bit resolution
- Load data into PWM module

Note*: The measurements with programmable filter length for FIR filter use the same EEPROM cells for N.

Note**: The IIR filter with programmable filter length uses the same EEPROM cells for L.

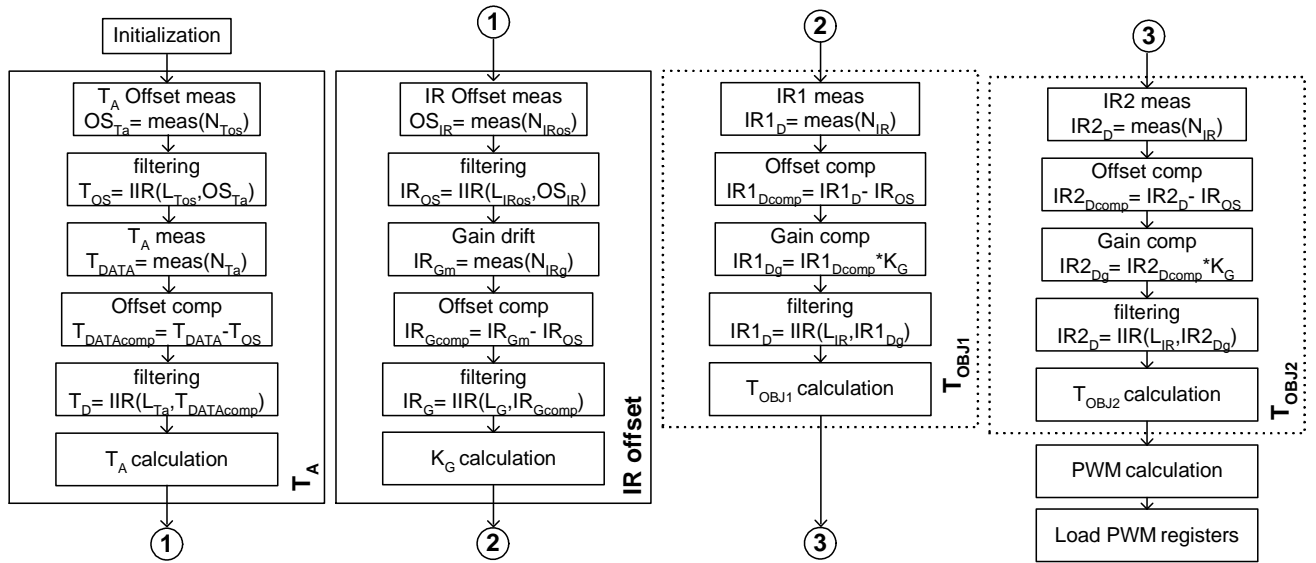


Figure 20: Software flow

8.8 Thermal relay

The MLX90614 can be configured to behave as a thermo relay with programmable threshold and hysteresis on the PWM/SDA pin. The input for the comparator unit of the relay is the object temperature from sensor 1

The output of the MLX90614 is NOT a relay driver but a logical output which should be connected to a relay driver if necessary.

The output driver is one and the same for PWM and Thermal relay.
In order to configure the MLX90614 to work as thermal relay two conditions must be met:

- Set bit TRPWMB high at address 0x02 in EEPROM
- Enable PWM output i.e. EN_PWM is set high

The PWM / SDA pin can be programmed as a push-pull or open drain NMOS (via bit PPODB in EEPROM PWMCTRL), which can trigger an external device. The temperature threshold data is determined by EEPROM at address 0x21 ($T_{o_{min}}$) and the hysteresis at address 0x020 ($T_{o_{max}}$).

The logical state of the PWM/SDA pin is as follows:

PWM / SDA pin is high if $T_{o1} \geq \text{threshold} + \text{hysteresis}$

PWM / SDA pin is low if $T_{o1} \leq \text{threshold} - \text{hysteresis}$

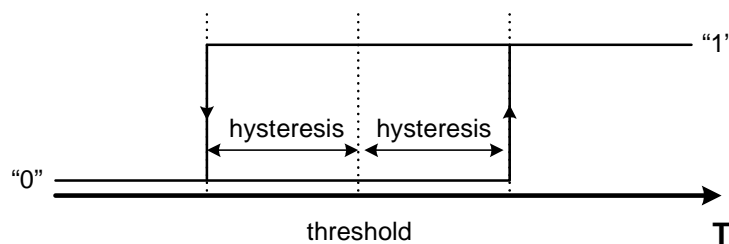


Figure 21: Thermal relay: "PWM" pin versus T_{obj}

The MLX90614 preserves its normal operation when configured as a thermal relay (PWM configuration and specification applies as a general rule also for the thermal relay) and therefore it can be read using the SMBus (entering the SMBus mode from both PWM and thermal relay configuration is the same).

For example, the MLX90614 can generate a wake-up alert for a system upon reaching a certain temperature and then be read as a thermometer. Reset conditions (enter and exit Sleep, for example) will be needed in order to return to the thermal relay configuration.

Example:

$$\text{Threshold} = 5^{\circ}\text{C} \rightarrow (\text{EEPROM}, 0x01) = 100 \times (\text{Threshold} + 273.15) = 27815d = 0x6CA7$$

$$\text{Hysteresis} = 1^{\circ}\text{C} \rightarrow (\text{EEPROM}, 0x00) = 100 \times \text{Hysteresis} = 100d = 0x0064$$

Smallest possible hysteresis is $0,01^{\circ}\text{C}$ or (EEPROM, 0x00 = 0x0001)

PWM / SDA pin will be set low at object temperature below 4°C

PWM / SDA pin will be set high at object temperature higher than 6°C

9 Unique Features

- The MLX90614 is a ready-to use low-cost non contact thermometer provided from Melexis with output data linearly dependent on the object temperature with high accuracy and extended resolution.
- The high thermal stability of the MLX90614-xCx make this part highly suited in applications where secondary heat sources can heat up the sensor. These sensors also have a very short stabilization time compared to other types of thermopile sensors, which is of importance if one needs an accurate measurement in conditions where the ambient temperature can change quickly.
- The MLX90614 supports versatile customization to a very wide range of temperatures, power supplies and refresh rates.
- The user can program the internal object emissivity correction for objects with a low emissivity. An embedded error checking and correction mechanism provides high memory reliability.
- The sensors are housed in an industry standard TO39 package for both single- and dual-zone IR thermometers. The thermometer is available in automotive grade and can use two different packages for wider applications' coverage.
- The low power consumption during operation and the low current draw during sleep mode make the thermometer ideally suited for handheld mobile applications.
- The digital sensor interface can be either a power-up-and-measure PWM or an enhanced access SMBus compatible protocol. Systems with more than 100 devices can be built with only two signal lines. Dual zone non contact temperature measurements are available via a single line (extended PWM).
- A build-in thermal relay function further extends the easy implementation of wide variety of freezing/boiling prevention and alert systems, as well as thermostats (no MCU is needed).

10 Performance Graphs

10.1 Temperature accuracy of the MLX90614

10.1.1 Standard accuracy

All accuracy specifications apply under settled isothermal conditions only. Furthermore, the accuracy is only valid if the object fills the FOV of the sensor completely.

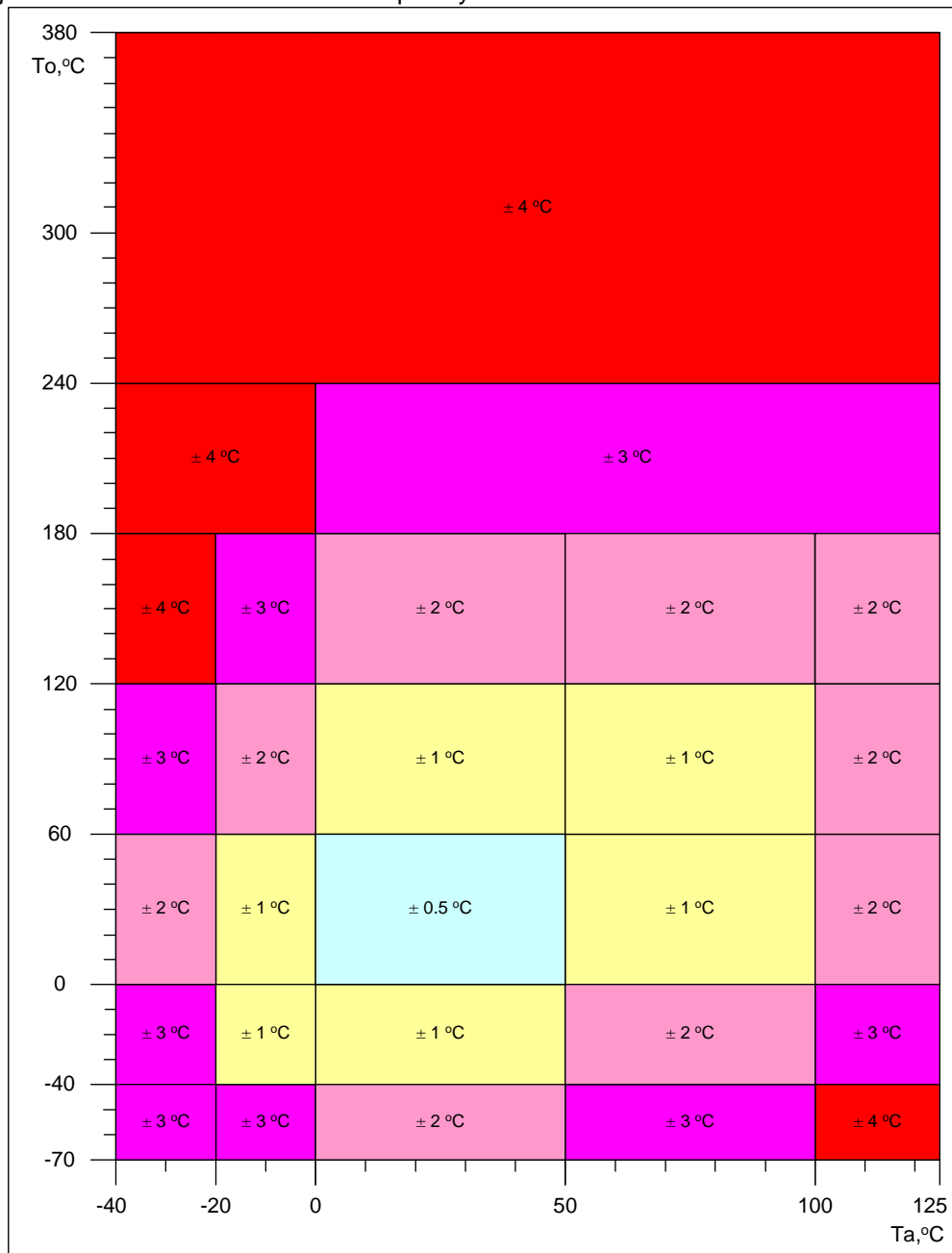
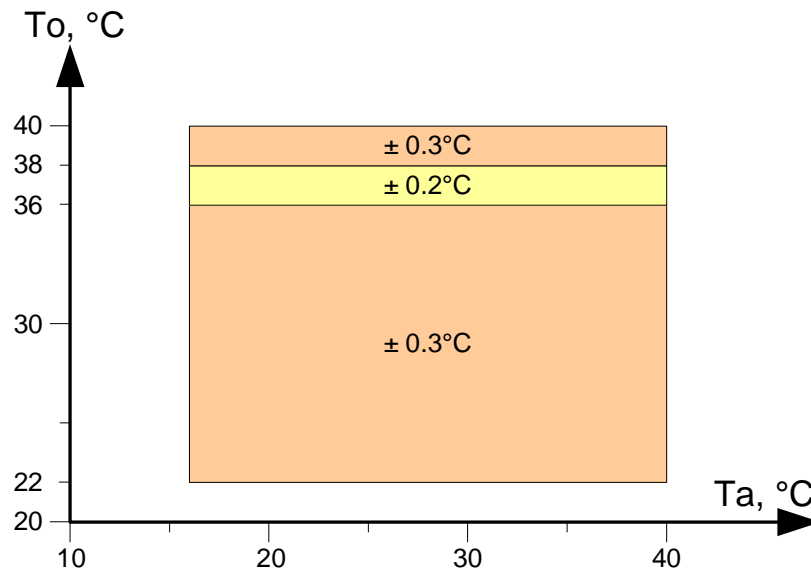


Figure 22: Accuracy of MLX90614 (Ta, To)

All accuracy specifications apply under settled isothermal conditions only.

10.1.2 Medical accuracy

A version of the MLX90614 with accuracy suited for medical applications is available. The accuracy in the range T_a 16°C...40°C and T_o 22°C...40°C is shown in diagram below. The accuracy for the rest of the temperature ranges is the same as in previous diagram. Medical accuracy specification is only available for the MLX90614Dxx versions.



**Figure 23: Accuracy of MLX90614DAA (T_a , T_o) for medical applications.
Accuracy of the MLX90614DCC, DCH and DCI for $V_{DD} = 3V$ (see paragraph 10.1.3)**

Versions MLX90614ESF-DCC, -DCH and -DCI comply with ASTM standard section 5.4 (Designation: E1965 – 98 (Re-approved 2009) - Standard Specification for Infrared Thermometers for Intermittent Determination of Patient Temperature

It is very important for the application design to understand that the accuracy specified in Figure 22 and Figure 23 are only guaranteed when the sensor is in thermal equilibrium and under isothermal conditions (there are no temperature differences across the sensor package). The accuracy of the thermometer can be influenced by temperature differences in the package induced by causes like (among others): Hot electronics (heaters / coolers) behind or beside the sensor or when the measured object is so close to the sensor that heats the thermometer package.

This effect is especially relevant for thermometers with a small Field Of View (FOV) like the xxC and xxF as the energy received by the sensor from the object is reduced. Therefore, Melexis has introduced the xCx version of the MLX90614. In these MLX90614xCx, the thermal gradients are measured internally and the measured temperature is compensated for them. In this way, the MLX90614xCx is much less sensitive to thermal gradients induced from outside, but the effect is not totally eliminated. It is therefore important to avoid introducing strong heat sources close to the sensor or to shield the sensor from them.

NOTE: In order to have the highest possible signal and the best performance a higher gain of the amplifier is selected for MLX90614DCx type of devices. This eventually would limit the maximum object temperature (due to overload of the ADC) to about 200°C.

10.1.3 Temperature reading dependence on V_{DD}

In case of medical applications where high accuracy is required and the supply is provided by means of a battery, a compensation of temperature readings from V_{DD} dependence should be done by the microcontroller. The dependence is very repeatable and compensation can easily be implemented. As this

dependence comes from the ambient temperature it is the same for all type of devices regardless of FOV and optics used and it directly translates in the same compensation for object temperature. The typical VDD dependence of the ambient and object temperature is 0.6°C/V.

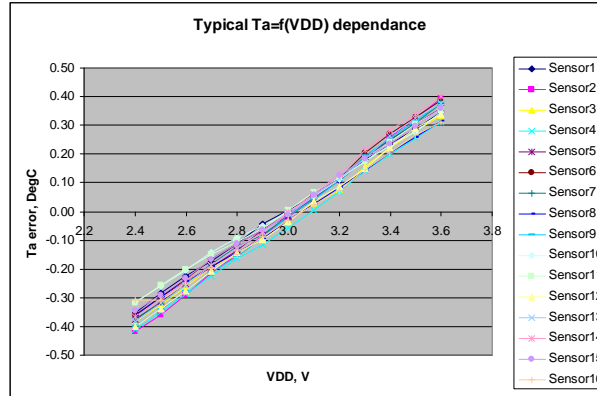


Figure 24: Typical Ta dependence from supply voltage

Example: As the devices are calibrated at VDD=3V the error at VDD=3V is smallest one. The error in ambient channel is directly transferred as object channel error (see Figure 25 below).

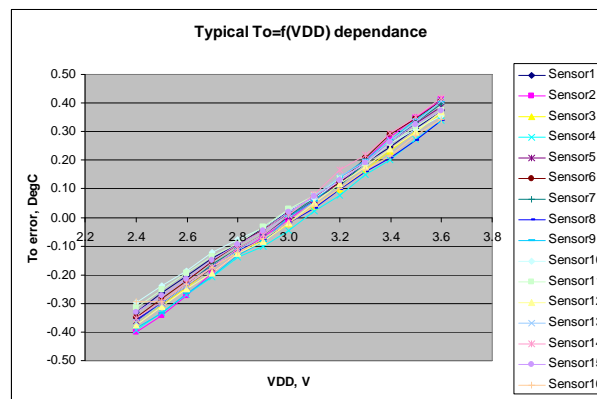


Figure 25: Typical To dependence from supply voltage (practically the same as Ta dependence error)

In order to compensate for this error we measure supply voltage and by applying following equation compensate the result.

$$T_{O_compensated} = T_O - (VDD - VDD_0) \times Typical_dependence = T_O - (VDD - 3) \times 0.6$$

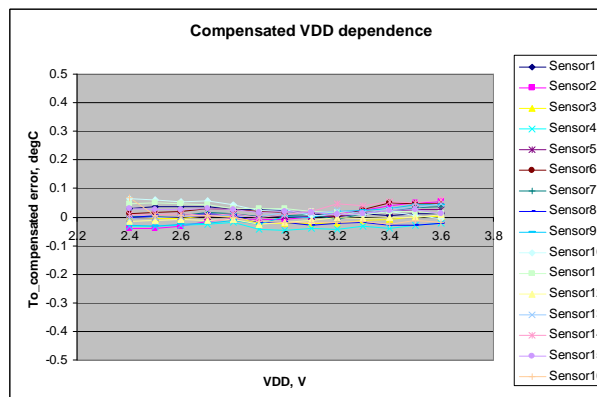


Figure 26: Typical To compensated dependence error

10.2 Field Of View (FOV)

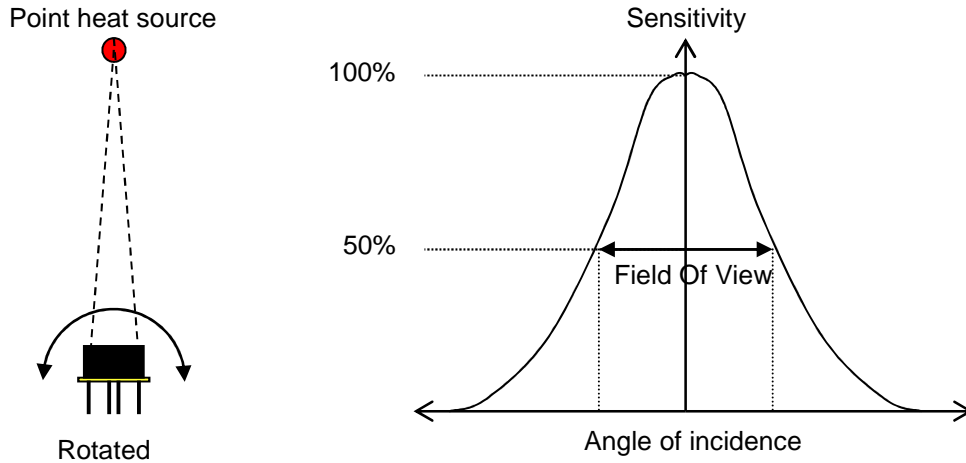


Figure 27: Field Of View measurement

Parameter	MLX90614xAA	MLX90614xBA	MLX90614xCC	MLX90614xCF	MLX90614xCH	MLX90614xCI
Peak zone 1	±0°	+25°	±0°	±0°	±0°	±0°
Width zone 1	90°	70°	35°	10°	12°	5°
Peak zone 2	Not applicable	-25°	Not applicable	Not applicable	Not applicable	Not applicable
Width zone 2		70°				

Table 14: FOV summary table

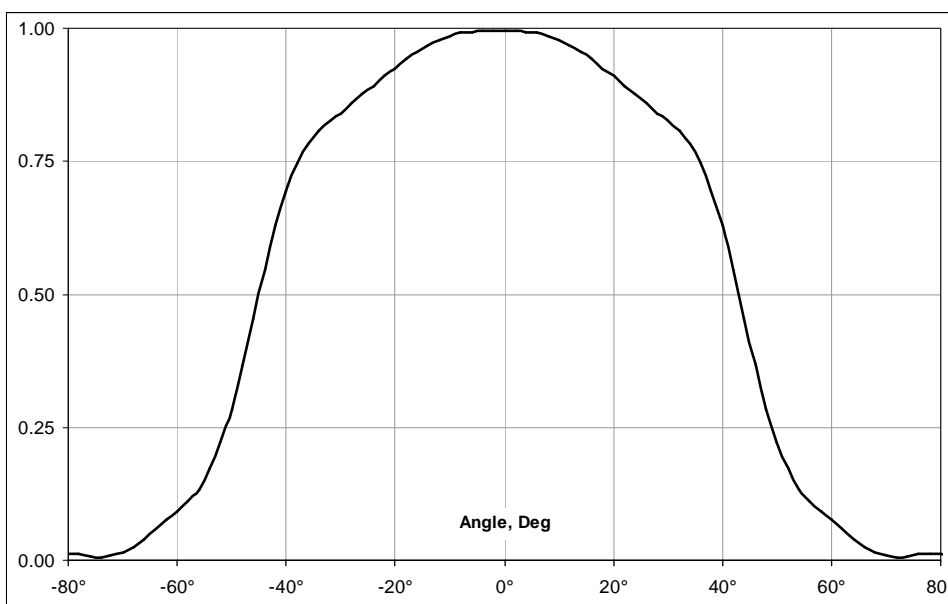


Figure 28: Typical FOV of MLX90614xAA

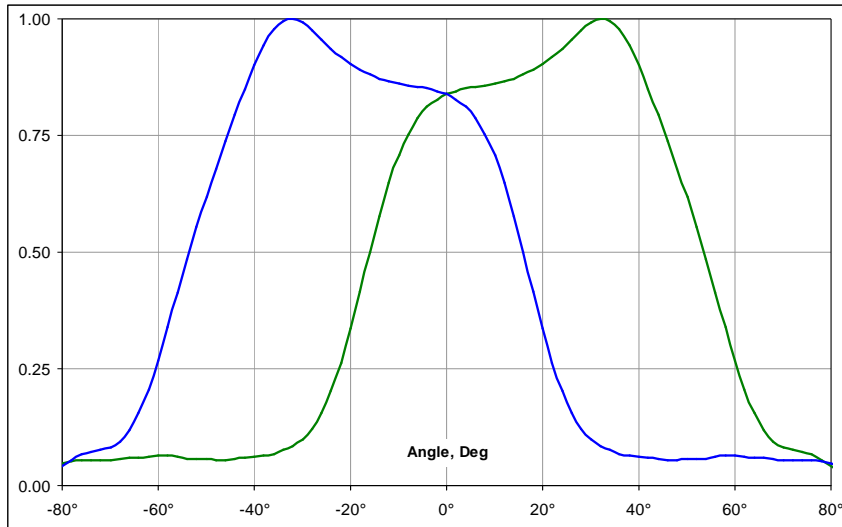


Figure 29: Typical FOV of MLX90614xBA



Figure 30: Identification of zone 1&2 relative to alignment tab

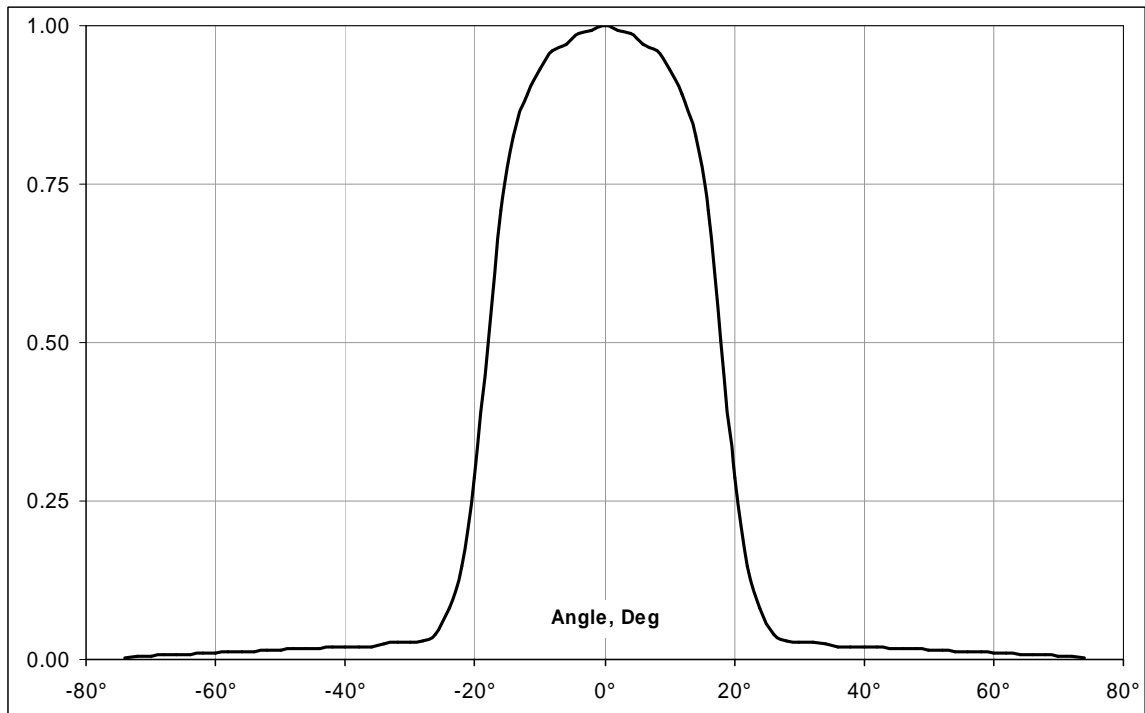


Figure 31: Typical FOV of MLX90614xCC

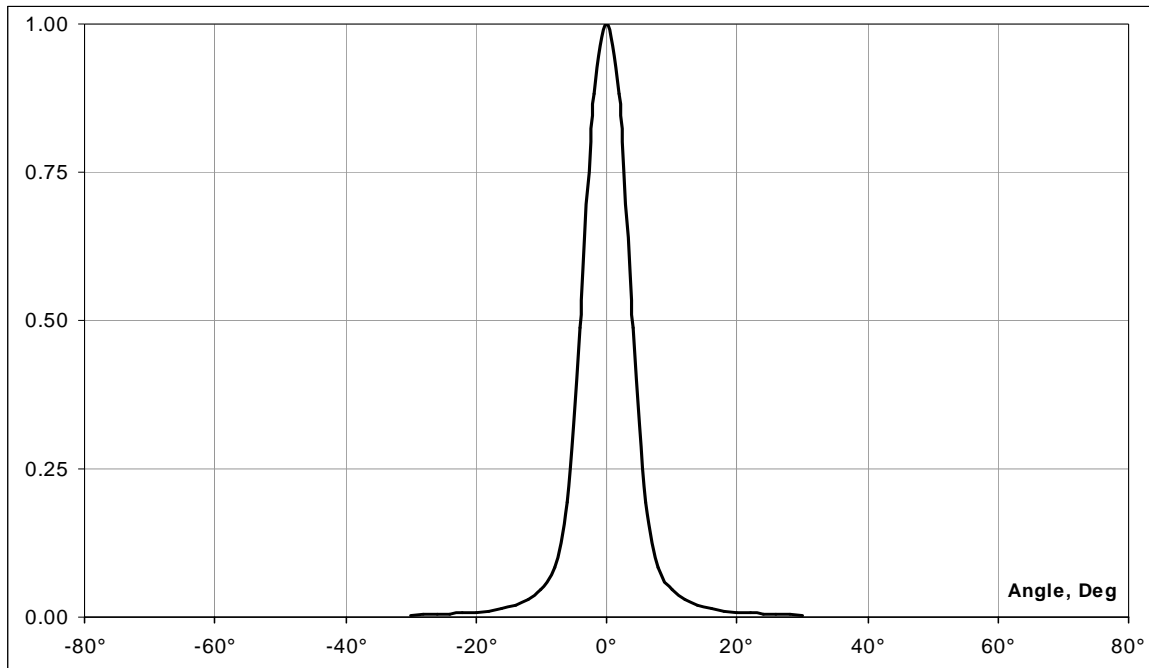


Figure 32: Typical FOV of MLX90614xCF

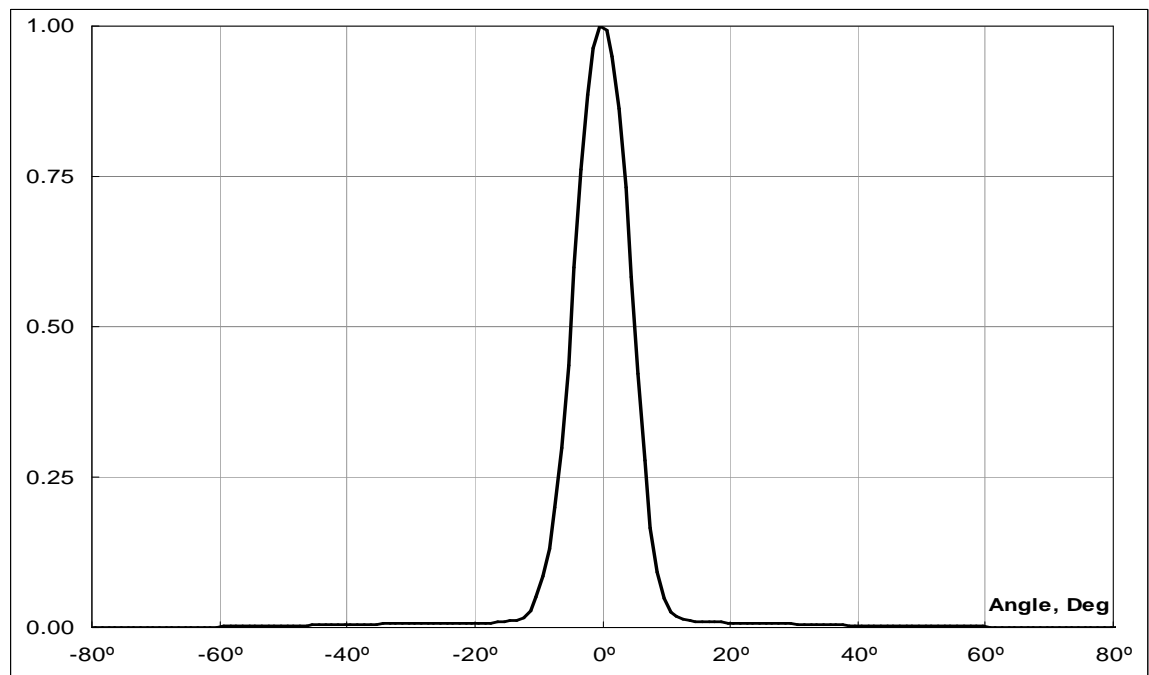


Figure 33: Typical FOV of MLX90614xCH

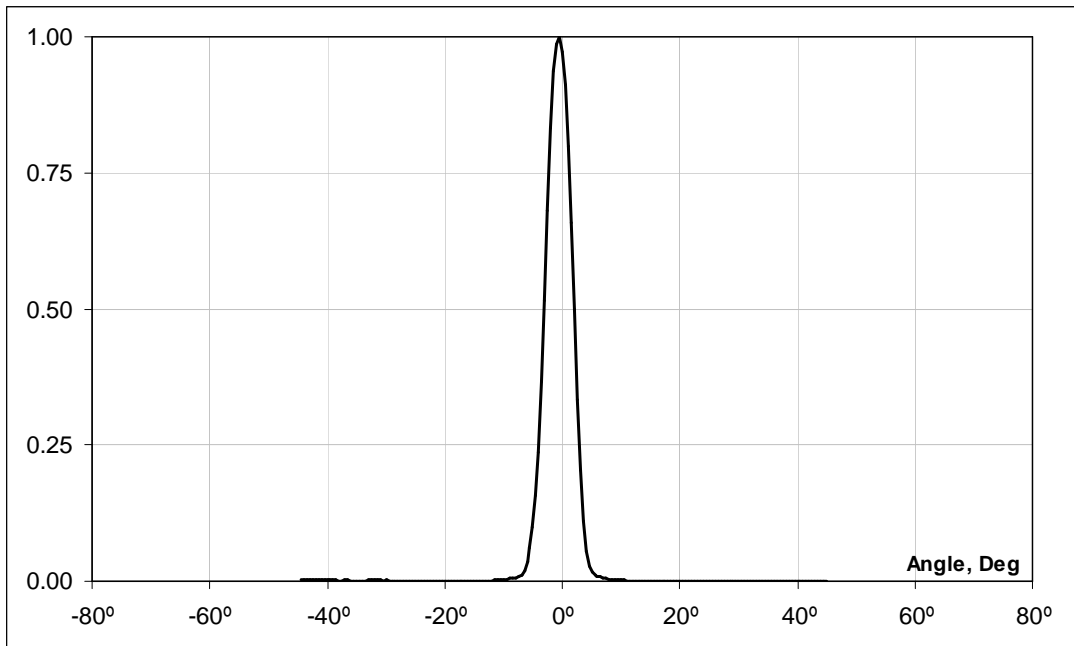


Figure 34: Typical FOV of MLX90614xCI

11 Applications Information

11.1 Use of the MLX90614 thermometer in SMBus configuration

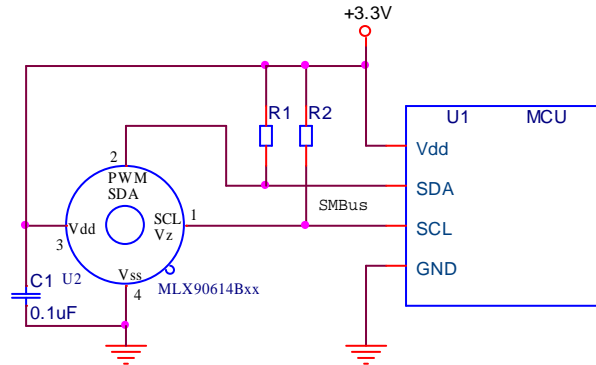


Figure 35: MLX90614 SMBus connection

Figure 35 shows the connection of a MLX90614 to a SMBus with 3.3V power supply. The MLX90614 has diode clamps SDA / SCL to Vdd so it is necessary to provide MLX90614 with power in order not to load the SMBus lines.

11.2 Use of multiple MLX90614s in SMBus configuration

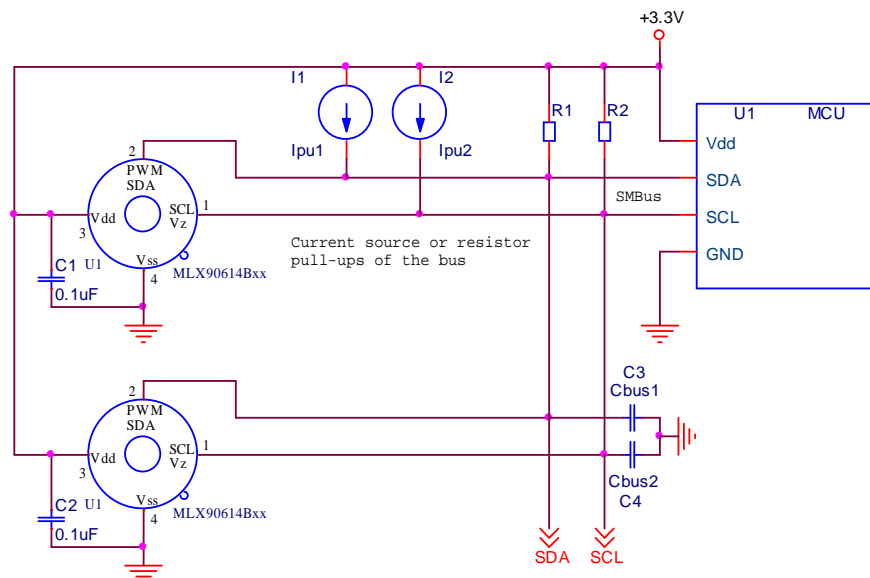


Figure 36: Use of multiple MLX90614 devices in SMBus network

The MLX90614 supports a 7-bit slave address in EEPROM, thus allowing up to 127 devices to be read via two common wires. With the MLX90614xBx this results in 254 object temperatures measured remotely and an additional 127 ambient temperatures which are also available. Current source pull-ups may be preferred with higher capacitive loading on the bus (C3 and C4 represent the lines' parasitic), while simple resistive pull-ups provide the obvious low cost advantage.

11.3 PWM output operation

Using the PWM output mode of the MLX90614 is very simple, as shown in Figure 37.

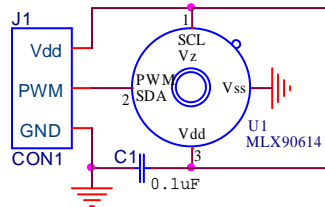


Figure 37: Connection of MLX90614 for PWM output mode

The PWM mode is free-running after POR when configured in EEPROM. The SCL pin must be forced high for PWM mode operation (can be shorted to V_{DD} pin).

A pull-up resistor can be used to preserve the option for SMBus operation while having PWM as a default as is shown on Figure 38.

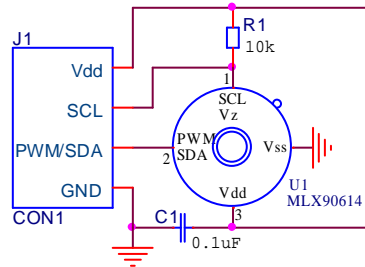


Figure 38: PWM output with SMBus available

Again, the PWM mode needs to be written as the POR default in EEPROM. Then for PWM operation the SCL line can be high impedance, forced high, or even not connected. The pull-up resistor R1 will ensure there is a high level on the SCL pin and the PWM POR default will be active. SMBus is still available (for example – for further reconfiguration of the MLX90614, or sleep mode power management) as there are pull-up resistors on the SMBus lines anyway.

PWM can be configured as open drain NMOS or a push-pull output. In the case of open drain external pull-up will be needed. This allows cheap level conversion to lower logic high voltage. Internal pull-ups present in many MCUs can also be used.

11.4 Thermal alert / thermostat

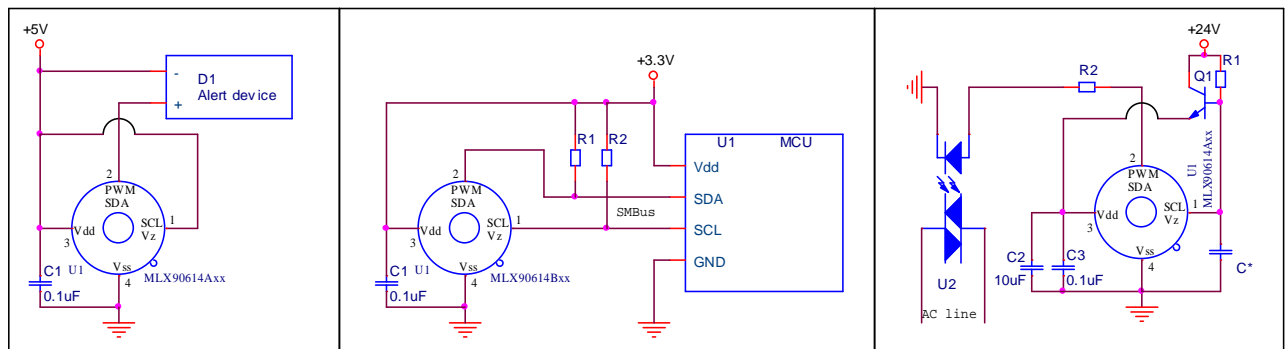


Figure 39: Thermal alert / thermostat applications of MLX90614

The MLX90614 can be configured in EEPROM to operate as a thermal relay. A non contact freezing or boiling prevention with 1 mA quiescent current can be built with two components only – the MLX90614 and a capacitor. The PWM / SDA pin can be programmed as a push-pull or open drain NMOS, which can trigger an external device, such as a relay (refer to electrical specifications for load capability), buzzer, RF transmitter or a LED. This feature allows very simple thermostats to be built without the need of any MCU and zero design overhead required for firmware development. In conjunction with a MCU, this function can operate as a system alert that wakes up the MCU. Both object temperature and sensor die temperature can also be read in this configuration.

11.5 High voltage source operation

As a standard, the module MLX90614Axx works with a supply voltage of 5Volt. In addition, thanks to the integrated internal reference regulator available at pin SCL / Vz, this module can easily be powered from higher voltage source (like VDD=8...16V). Only a few external components as depicted in the diagram below are required to achieve this.

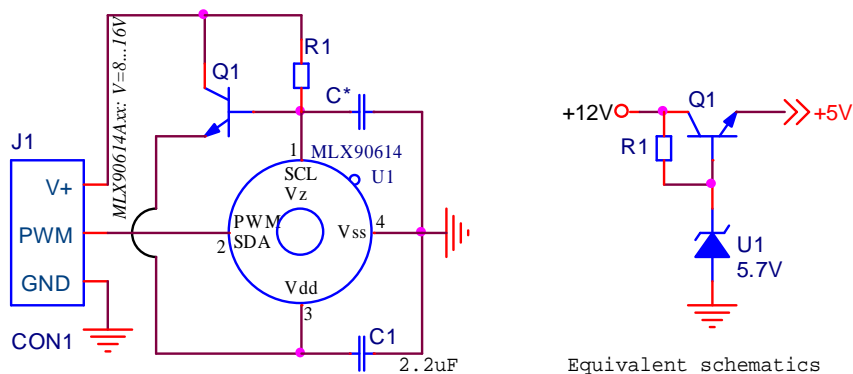


Figure 40: 12V regulator implementation

With the second (synthesized Zener diode) function of the SCL / Vz pin used, the 2-wire interface function is available only if the voltage regulator is overdriven (5V regulated power is forced to Vdd pin).

12 Application Comments

Significant **contamination** at the optical input side (sensor filter) might cause unknown additional filtering/distortion of the optical signal and therefore result in unspecified errors.

IR sensors are inherently susceptible to errors caused by **thermal gradients**. There are physical reasons for these phenomena and, in spite of the careful design of the MLX90614, it is recommended not to subject the MLX90614 to heat transfer and especially transient conditions.

Upon **power-up** the MLX90614 passes embedded checking and calibration routines. During these routines the output is not defined and it is recommended to wait for the specified POR time before reading the module. Very slow power-up may cause the embedded POR circuitry to trigger on inappropriate levels, resulting in unspecified operation and this is not recommended.

The MLX90614 is designed and calibrated to operate as a non contact thermometer in **settled conditions**. Using the thermometer in a very different way will result in unknown results.

Capacitive loading on a SMBus can degrade the communication. Some improvement is possible with use of current sources compared to resistors in pull-up circuitry. Further improvement is possible with specialized commercially available bus accelerators. With the MLX90614 additional improvement is possible by increasing the pull-up current (decreasing the pull-up resistor values). Input levels for SMBus compatible mode have higher overall tolerance than the SMBus specification, but the output low level is rather low even with the high-power SMBus specification for pull-up currents. Another option might be to go for a slower communication (clock speed), as the MLX90614 implements Schmidt triggers on its inputs in SMBus compatible mode and is therefore not really sensitive to rise time of the bus (it is more likely the rise time to be an issue than the fall time, as far as the SMBus systems are open drain with pull-up).

For **ESD protection** there are clamp diodes between the Vss and Vdd and each of the other pins. This means that the MLX90614 might draw current from a bus in case the SCL and/or SDA is connected and the Vdd is lower than the bus pull-ups' voltage.

In **12V powered systems SMBus usage is constrained** because the SCL pin is used for the Zener diode function. Applications where the supply is higher than 5V should use the PWM output or an external regulator. Nevertheless, in the 12V powered applications MLX90614 can be programmed (configured and customized) by forcing the Vdd to 5V externally and running the SMBus communication.

A sleep mode is available in the MLX90614Bxx. This mode is entered and exited via the SMBus compatible 2-wire communication. On the other hand, the extended functionality of the SCL pin yields in increased leakage current through that pin. As a result, this pin needs to be forced low in sleep mode and the pull-up on the SCL line needs to be disabled in order to keep the overall power drain in sleep mode really small. During sleep mode the sensor will not perform measurements.

The **PWM pin is not designed for direct drive of inductive loads** (such as electro-magnetic relays). Some drivers need to be implemented for higher load, and auxiliary protection might be necessary even for light but inductive loading.

It is possible to use the MLX90614 in applications, powered directly from the AC line (transformer less). In such cases it is very important not to forget that **the metal package of the sensor is not isolated** and therefore may occur to be connected to that line, too. Melexis can not be responsible for any application like this and highly recommends not using the MLX90614 in that way.

Power dissipation within the package may affect performance in two ways: by heating the "ambient" sensitive element significantly beyond the actual ambient temperature, as well as by causing gradients over the package that will inherently cause thermal gradient over the cap. Loading the outputs also causes increased power dissipation. In case of using the MLX90614Axx internal Zener voltage feature, the regulating external transistor should also not cause heating of the TO39 package.

High capacitive load on a PWM line will result in significant charging currents from the power supply, bypassing the capacitor and therefore causing EMC, noise, level degradation and power dissipation problems. A simple option is adding a series resistor between the PWM / SDA pin and the capacitive loaded line, in which case timing specifications have to be carefully reviewed. For example, with a PWM output that is set to 1.024 ms and the output format that is 11 bit, the time step is 0.5 μ s and a settling time of 2 μ s would introduce a 4 LSB error.

Power supply decoupling capacitor is needed as with most integrated circuits. MLX90614 is a mixed-signal device with sensors, small signal analog part, digital part and I/O circuitry. In order to keep the noise low power supply switching noise needs to be decoupled. High noise from external circuitry can also affect noise performance of the device. In many applications a 100nF SMD ceramic capacitor close to the Vdd and Vss pins would be a good choice. It should be noted that not only the trace to the Vdd pin needs to be short, but also the one to the Vss pin. Using MLX90614 with short pins improves the effect of the power supply decoupling. Severe noise can also be coupled within the package from the SCL (in worst cases also from the SDA) pin. This issue can be solved by using PWM output. Also the PWM output can pass additional filtering (at lower PWM frequency settings). With a simple LPF RC network added also increase of the ESD rating is possible.

Check www.melexis.com for most recent application notes about MLX90614.

13 Standard information regarding manufacturability of Melexis products with different soldering processes

Our products are classified and qualified regarding soldering technology, solderability and moisture sensitivity level according to following test methods:

Wave Soldering THD's (Through Hole Devices)

- EIA/JEDEC JESD22-B106 and EN60749-15
Resistance to soldering temperature for through-hole mounted devices

Iron Soldering THD's (Through Hole Devices)

- EN60749-15
Resistance to soldering temperature for through-hole mounted devices

Solderability THD's (Through Hole Devices)

- EIA/JEDEC JESD22-B102 and EN60749-21
Solderability

For all soldering technologies deviating from above mentioned standard conditions (regarding peak temperature, temperature gradient, temperature profile etc) additional classification and qualification tests have to be agreed upon with Melexis.

Melexis is contributing to global environmental conservation by promoting **lead free** solutions. For more information on qualifications of **RoHS** compliant products (RoHS = European directive on the Restriction Of the use of certain Hazardous Substances) please visit the quality page on our website:

<http://www.melexis.com/quality.aspx>

The MLX90614 is RoHS compliant

14 ESD Precautions

Electronic semiconductor products are sensitive to Electro Static Discharge (ESD).

Always observe Electro Static Discharge control procedures whenever handling semiconductor products.

15 FAQ

When I measure aluminum and plastic parts settled at the same conditions I get significant errors on aluminum. Why?

Different materials have different **emissivity**. A typical value for aluminum (roughly polished) is 0.18 and for plastics values of 0.84...0.95 are typical. IR thermometers use the radiation flux between the sensitive element in the sensor and the object of interest, given by the equation

$$q = \epsilon_1 \times \alpha_1 \times (T_1^4) \times \sigma \times A_1 \times F_{a-b} - \epsilon_2 \times (T_2^4) \times \sigma \times A_2,$$

Where:

ϵ_1 and ϵ_2 are the emissivities of the two objects,

α_1 is the absorptivity of the sensor (in this case),

σ is the Stefan-Boltzmann constant,

A_1 and A_2 are the surface areas involved in the radiation heat transfer,

F_{a-b} is the shape factor,

T_1 and T_2 are known temperature of the sensor die (measured with specially integrated and calibrated element) and the object temperature that we need.

Note that these are all in Kelvin, heat exchange knows only physics.

When a body with low emissivity (such as aluminum) is involved in this heat transfer, the portion of the radiation incident to the sensor element that really comes from the object of interest decreases – and the reflected environmental IR emissions take place. (This is all for bodies with zero transparency in the IR band.) The IR thermometer is calibrated to stay within specified accuracy – but it has no way to separate the incoming IR radiation into real object and reflected environmental part. Therefore, measuring objects with low emissivity is a very sophisticated issue and infra-red measurements of such materials are a specialized field.

What can be done to solve that problem? Look at paintings – for example, oil paints are likely to have emissivity of 0.85...0.95 – but keep in mind that the stability of the paint emissivity has inevitable impact on measurements.

It is also a good point to keep in mind that not everything that looks black is “black” also for IR. For example, even heavily oxidized aluminum has still emissivity as low as 0.30.

How high is enough? Not an easy question – but, in all cases the closer you need to get to the real object temperature the higher the needed emissivity will be, of course.

With the real life emissivity values the environmental IR comes into play via the reflectivity of the object (the sum of Emissivity, Reflectivity and Absorptivity gives 1.00 for any material). The larger the difference between environmental and object temperature is at given reflectivity (*with an opaque for IR material reflectivity equals 1.00 minus emissivity*) the bigger errors it produces.

After I put the MLX90614 in the dashboard I start getting errors larger than specified in spite that the module was working properly before that. Why?

Any object present in the FOV of the module provides IR signal. It is actually possible to introduce error in the measurements if the module is attached to the dashboard with an opening that enters the FOV. In that case portion of the dashboard opening will introduce IR signal in conjunction with constraining the effective FOV and thus compromising specified accuracy. Relevant opening that takes in account the FOV is a must for accurate measurements. Note that the basic FOV specification takes 50% of IR signal as threshold (in order to define the area, where the measurements are relevant), while the entire FOV at lower level is capable of introducing lateral IR signal under many conditions.

When a hot (cold) air stream hits my MLX90614 some error adds to the measured temperature I read. What is it?

IR sensors are inherently sensitive to difference in temperatures between the sensitive element and everything incident to that element. As a matter of fact, this element is not the sensor package, but the sensor die inside. Therefore, a thermal gradient over the sensor package will inevitably result in additional IR flux between the sensor package and the sensor die. This is real optical signal that can not be segregated from the target IR signal and will add errors to the measured temperature.

Thermal gradients with impact of that kind are likely to appear during transient conditions. The sensor used is developed with care about sensitivity to this kind of lateral phenomena, but their nature demands some care when choosing place to use the MLX90614 in order to make them negligible.

I measure human body temperature and I often get measurements that significantly differ from the +37°C I expect.

IR measurements are true surface temperature measurements. In many applications this means that the actual temperature measured by an IR thermometer will be temperature of the clothing and not the skin temperature. Emissivity (explained first in this section) is another issue with clothes that has to be considered. There is also the simple chance that the measured temperature is adequate – for example, in a cold winter human hand can appear at temperatures not too close to the well known +37°C.

I consider using MLX90614AAA to measure temperature within car compartment, but I am embarrassed about the Sun light that may hit the module. Is it a significant issue?

Special care is taken to cut off the visible light spectra as well as the NIR (near IR) before it reaches the sensitive sensor die. Even more, the glass (in most cases) is not transparent to the IR radiation used by the MLX90614. Glass has temperature and really high emissivity in most cases – it is “black” for IR of interest. Overall, Sun behind a window is most likely to introduce relatively small errors. Why is it not completely eliminated after all? Even visible light partially absorbed in the filter of the sensor has some heating potential and there is no way that the sensor die will be “blind” for that heating right in front of it.

16 Package Information

16.1 MLX90614xxA

The MLX90614 is packaged in an industry standard TO39 can.

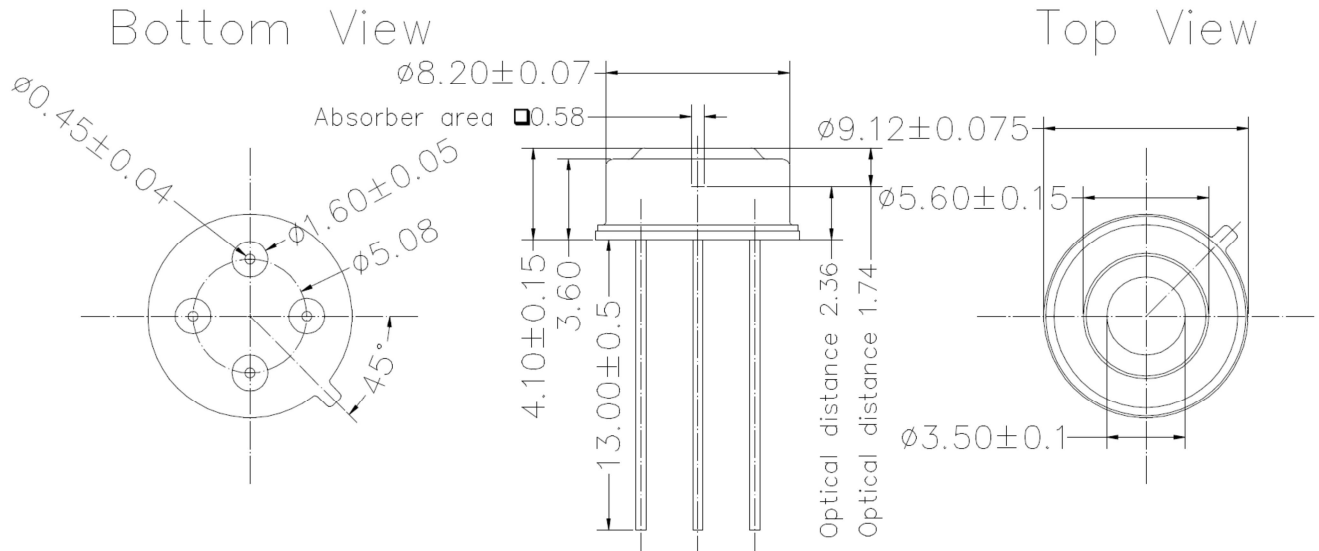


Figure 41: MLX90614xxA package

Note: All dimensions are in mm

16.2 MLX90614xCC

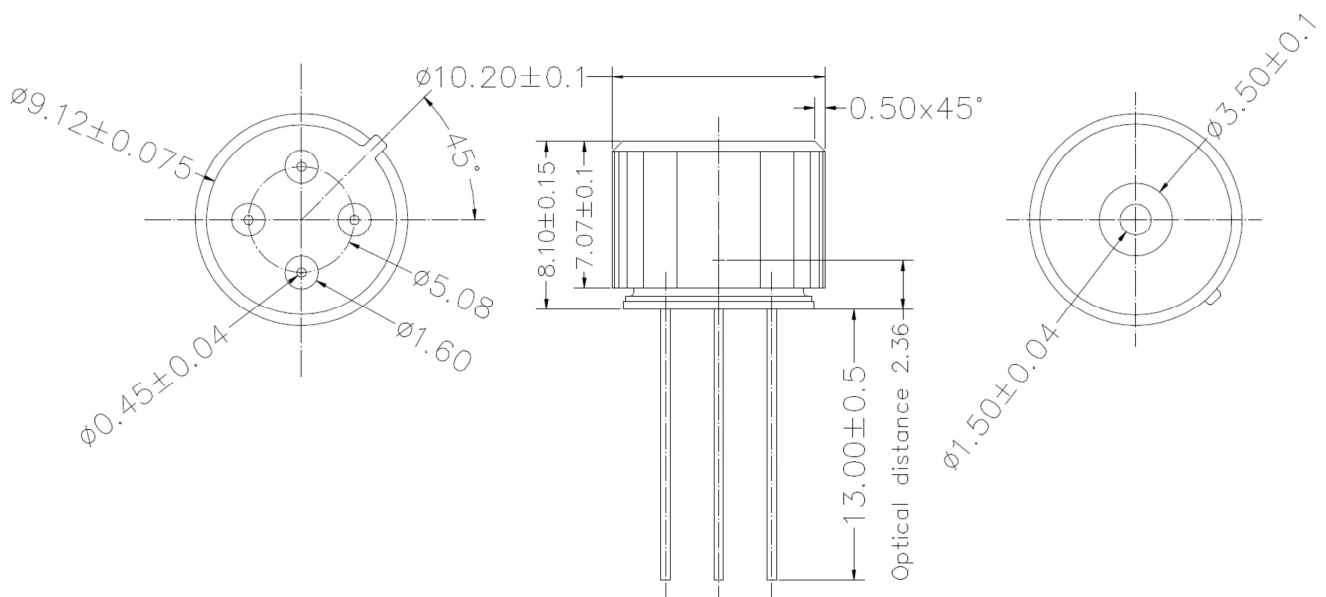


Figure 42: MLX90614xCC package

16.3 MLX90614xCF

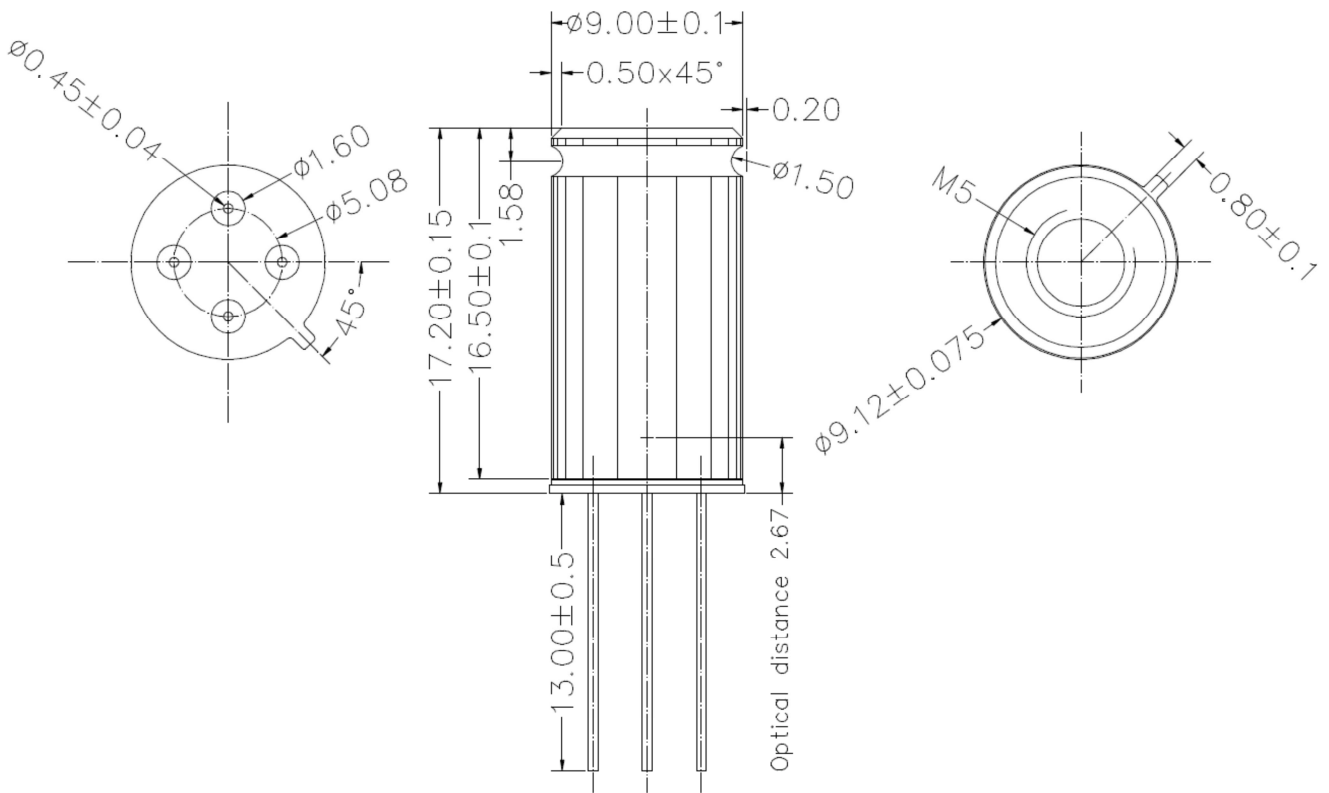


Figure 43: MLX90614xCF package

16.4 MLX90614xCH

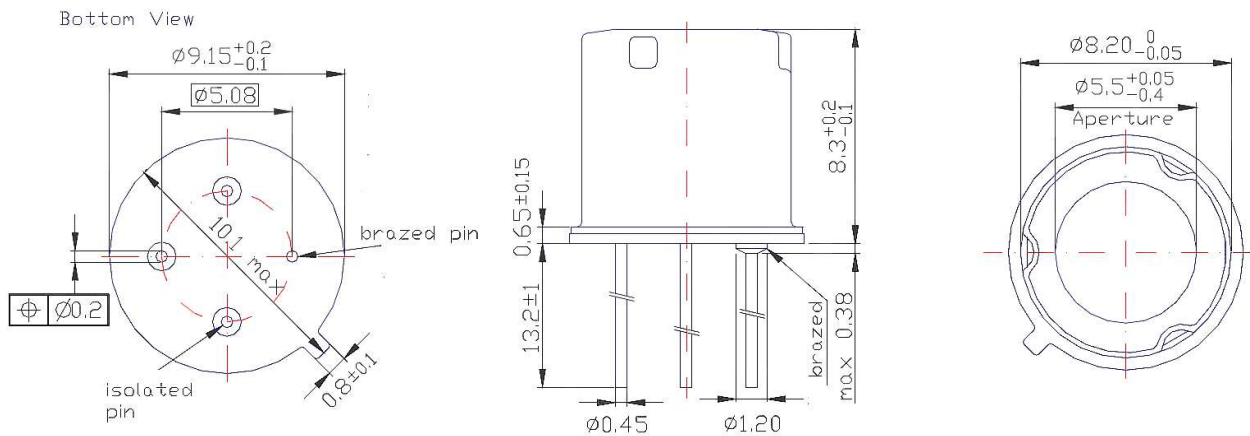


Figure 44: MLX90614xCH package

16.5 MLX90614xCI

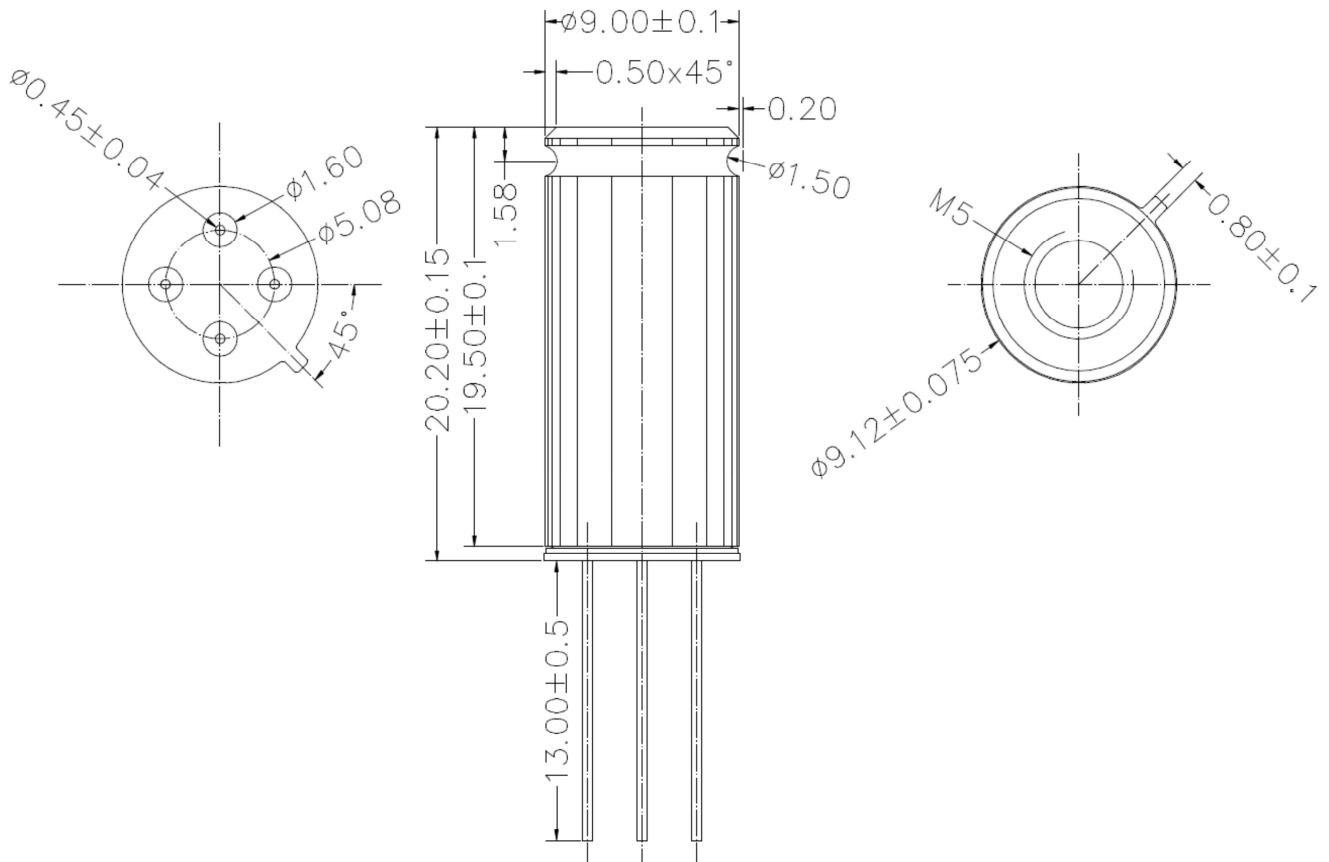


Figure 45: MLX90614xCI package

16.6 Part marking

The MLX90614 is laser marked with 10 symbols. First 3 letters define device version (AAA, BCC, etc), and the last 7 are the lot number. Example: "ACC9307308" – MLX90614ACC from lot 9307308.

16.7 Operating and storage humidity range

Operating and storage humidity range is defined as 85% non condensing humidity.

17 Table of figures

Figure 1: Typical application schematics	1
Figure 2: Pin description.....	5
Figure 3: Block diagram	10
Figure 4: SMBus packet element key.....	15
Figure 5: SMBus read word format	16
Figure 6: SMBus write word format.....	16
Figure 7: Recommended timing on SMBus	16
Figure 8: Read word format (SA=0x5A, read RAM=0x07, result=0x3AD2, PEC=0x30)	17
Figure 9: Write word format (SA=0x5A, write EEPROM=0x02, data=0xC807, PEC=0x48).....	17
Figure 10: SMBus timing specification and definition.....	18
Figure 11: Enter sleep mode command (SA = 0x5A, Command = 0xFF, PEC = 0xE8)	19
Figure 12: Exit Sleep Mode	19
Figure 13: Undershoot of SCL line due to on chip synthesized Zener diode (5V versions only).....	20
Figure 14: PWM timing single (above) and extended PWM (bellow).....	21
Figure 15: PWM example single mode	22
Figure 16: Extended PWM format with DUAL [5:1] = 01h (2 repetitions for each data)	23
Figure 17: Example: Extended PWM mode readings – sensor 1 above and sensor 2 bellow	23
Figure 18: Switching from PWM mode to SMBus	26
Figure 19: Request (switch to SMBus) condition	26
Figure 20: Software flow.....	29
Figure 21: Thermal relay: “PWM” pin versus Tobj	30
Figure 22: Accuracy of MLX90614 (Ta, To).....	32
Figure 23: Accuracy of MLX90614DAA (Ta, To) for medical applications. Accuracy of the MLX90614DCH and DCI for VDD = 3V (see paragraph 10.1.3).....	33
Figure 24: Typical Ta dependence from supply voltage	34
Figure 25: Typical To dependence from supply voltage (practically the same as Ta dependence error	34
Figure 26: Typical To compensated dependence error	34
Figure 27: Field Of View measurement.....	35
Figure 28: Typical FOV of MLX90614xAA	35
Figure 29: Typical FOV of MLX90614xBA	36
Figure 30: Identification of zone 1&2 relative to alignment tab	36
Figure 31: Typical FOV of MLX90614xCC	36
Figure 32: Typical FOV of MLX90614xCF	37
Figure 33: Typical FOV of MLX90614xCH.....	37
Figure 34: Typical FOV of MLX90614xCI	38
Figure 35: MLX90614 SMBus connection.....	39
Figure 36: Use of multiple MLX90614 devices in SMBus network	39
Figure 37: Connection of MLX90614 for PWM output mode	40
Figure 38: PWM output with SMBus available	40
Figure 39: Thermal alert / thermostat applications of MLX90614	40
Figure 40: 12V regulator implementation	41
Figure 41: MLX90614xxA package	47
Figure 42: MLX90614xCC package.....	47
Figure 43: MLX90614xCF package.....	48
Figure 44: MLX90614xCH package	48
Figure 45: MLX90614xCI package.....	49

18 References

[1] **System Management Bus (SMBus) Specification** Version 2.0 August 3, 2000
SBS Implementers Forum Copyright . 1994, 1995, 1998, 2000
Duracell, Inc., Energizer Power Systems, Inc., Fujitsu, Ltd., Intel Corporation, Linear Technology
Inc., Maxim Integrated Products, Mitsubishi Electric Semiconductor Company, PowerSmart, Inc.,
Toshiba Battery Co. Ltd., Unitrode Corporation, USAR Systems, Inc.

19 Disclaimer

Devices sold by Melexis are covered by the warranty and patent indemnification provisions appearing in its Term of Sale. Melexis makes no warranty, express, statutory, implied, or by description regarding the information set forth herein or regarding the freedom of the described devices from patent infringement. Melexis reserves the right to change specifications and prices at any time and without notice. Therefore, prior to designing this product into a system, it is necessary to check with Melexis for current information. This product is intended for use in normal commercial applications. Applications requiring extended temperature range, unusual environmental requirements, or high reliability applications, such as military, medical life-support or life-sustaining equipment are specifically not recommended without additional processing by Melexis for each application.

The information furnished by Melexis is believed to be correct and accurate. However, Melexis shall not be liable to recipient or any third party for any damages, including but not limited to personal injury, property damage, loss of profits, loss of use, interrupt of business or indirect, special incidental or consequential damages, of any kind, in connection with or arising out of the furnishing, performance or use of the technical data herein. No obligation or liability to recipient or any third party shall arise or flow out of Melexis' rendering of technical or other services.

© 2015 Melexis NV. All rights reserved.

For the latest version of this document, go to our website at
www.melexis.com

Or for additional information contact Melexis Direct:

Europe, Africa, Asia:	America:
Phone: +32 1367 0495	Phone: +1 248 306 5400
E-mail: sales_europe@melexis.com	E-mail: sales_usa@melexis.com

ISO/TS 16949 and ISO14001 Certified

Mouser Electronics

Authorized Distributor

Click to View Pricing, Inventory, Delivery & Lifecycle Information:

Melexis:

[MLX90614ESF-ACC-000-SP](#) [MLX90614ESF-BCC-000-SP](#) [MLX90614ESF-DCH-000-TU](#) [MLX90614KSF-AAA-000-SP](#) [MLX90614KSF-ABA-000-SP](#) [MLX90614ESF-BAA-000-SP](#) [MLX90614KSF-ACC-000-SP](#) [MLX90614ESF-DCC-000-SP](#) [MLX90614ESF-DCH-000-SP](#) [MLX90614ESF-DCA-000-TU](#) [MLX90614ESF-ABA-000-TU](#) [MLX90614ESF-ACF-000-TU](#) [MLX90614ESF-ACF-000-SP](#) [MLX90614ESF-BBA-000-SP](#) [MLX90614ESF-BCF-000-SP](#) [MLX90614KSF-ABA-000-TU](#) [MLX90614ESF-BCA-000-TU](#) [MLX90614ESF-BCH-000-SP](#) [MLX90614ESF-DCA-000-SP](#) [MLX90614ESF-ACC-000-TU](#) [MLX90614ESF-DCC-000-TU](#) [MLX90614ESF-AAA-000-SP](#) [MLX90614ESF-AAA-000-TU](#) [MLX90614ESF-BAA-000-TU](#) [MLX90614ESF-BCC-000-TU](#) [MLX90614ESF-ABA-000-SP](#) [MLX90614ESF-BBA-000-TU](#) [MLX90614ESF-BCI-000-TU](#) [MLX90614ESF-BCA-000-SP](#) [MLX90614ESF-DAA-000-TU](#) [MLX90614ESF-DCI-000-SP](#) [MLX90614ESF-DAA-000-SP](#) [MLX90614KSF-ACC-000-TU](#) [MLX90614ESF-BCF-000-TU](#) [MLX90614ESF-DCI-000-TU](#) [MLX90614ESF-BCH-000-TU](#) [MLX90614ESF-ACA-000-TU](#) [MLX90614ESF-ACA-000-SP](#) [MLX90614ESF-BCI-000-SP](#) [MLX90614KSF-AAA-000-TU](#)