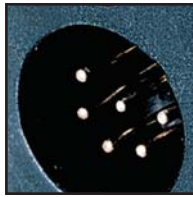


XLR Receptacles



Smallest available flange mounted XLR receptacle.



Available in 3-6 pin contact arrangements.



Female connector available exclusively without latch.



All plastic one piece shell male and female use same cutout.

P Series



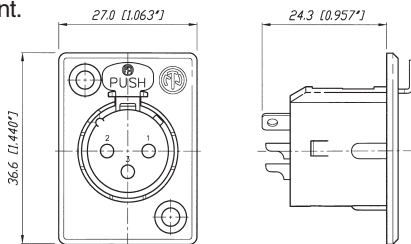
NC4FP-1



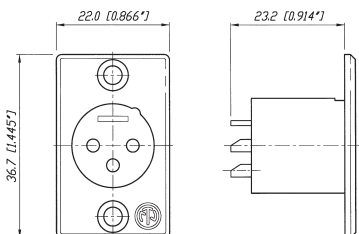
NC6MP-B

- Male and female available in 3-6 pin configurations; 7 pin versions available in female only.
- Smallest available hard wiring receptacles with large solder cups.
- Male and female use different mounting hole dimensions and do not fit in same mounting hole.
- Front mountable only.
- One piece version – insert is NOT removable from shell.
- Short female receptacle.
- Compatible with Switchcraft DxM, DxP; Cannon XLRx31, XLRx32.
- 6 pole version available with Switchcraft contact arrangement.

NC4FP-1



NC3MP



PP Series



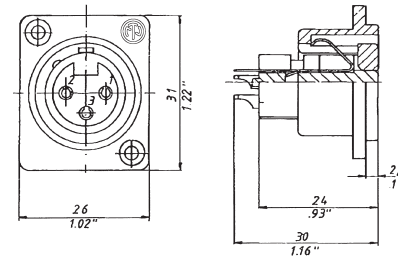
NC3FPP



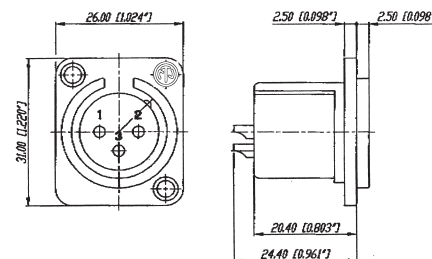
NC3MPP

- Male and female available in 3 pin solder cup configurations.
- Female receptacle is latchless.
- Shell is all plastic.
- Male and female mount in same hole cutout.
- Cost effective.
- Accessories include dust covers (SCDF/M) and color coding (DSS-color).
- Can be converted from solder to PCB mount using optional PPCB-H or PPCB-V adapters.

MC3FPP



MC3MPP



XLR Receptacles — Technical Data

| Specifications | | | A Series | AA Series | B Series | BA Series | D Series | DL1 Series | DS Series | DLX Series | DLX Crimp |
|--|--|--|----------|-------------------------|----------|-----------|--------------------|--------------------|--------------------|--------------------|--------------------|
| Electrical | | | | | | | | | | | |
| Number of contacts: | | | 3-5 | 3 | 3-5 | 3 | 3 | 3-7 | 3 | 3-7 | 3 |
| Contact Resistance: male/female: $\leq 3\text{ m}\Omega/\leq 5\text{ m}\Omega$ | | | ● | $\leq 8\text{ m}\Omega$ | ● | ● | ● | ● | ● | ● | ● |
| Insulation Resistance: Initial: $> 2\text{ G}\Omega$ | | | ● | ● | ● | ● | ● | ● | ● | ● | ● |
| After damp heat test: $> 1\text{ G}\Omega$ | | | ● | ● | ● | ● | ● | ● | ● | ● | ● |
| Dielectric Strength: 1500 V dc | | | ● | ● | ● | ● | ● | ● | ● | ● | ● |
| Rated voltage: 50 V ac | | | ● | ● | ● | ● | ● | ● | ● | ● | ● |
| Rated current per contact | | | | | | | | | | | |
| 3 pole: 16 A | | | 6 A | 6 A | 6 A | 6 A | 6 A | ● | 10 A | ● | 1 A |
| 4 pole: 10 A | | | 4 A | — | 4 A | — | — | ● | — | ● | — |
| 5, 6 pole: 7.5A | | | 3 A | — | 3 A | — | — | ● | — | ● | — |
| 7 pole: 5 A | | | — | — | — | — | — | ● | — | ● | — |
| Capacitance between contacts | | | | | | | | | | | |
| 3 pole: $\leq 7\text{ pF}$ | | | ● | ● | ● | ● | $\leq 4\text{ pF}$ | $\leq 4\text{ pF}$ | $\leq 4\text{ pF}$ | $\leq 4\text{ pF}$ | $\leq 4\text{ pF}$ |
| 4, 5, 6 pole: $\leq 7\text{ pF}$ | | | ● | — | ● | — | — | ● | — | ● | — |
| 7 pole: $\leq 9\text{ pF}$ | | | — | — | — | — | — | ● | — | ● | — |
| Mechanical | | | | | | | | | | | |
| Lifetime $> 1'000$ insertion / withdrawal cycles | | | ● | ● | ● | ● | ● | ● | ● | ● | ● |
| Insertion/withdrawal force ≤ 20 Newtons (N) | | | ● | ● | ● | ● | ● | ● | $\leq 30/\geq 10$ | ● | ● |
| Retention method: standard: latch lock | | | ● | ● | ● | ● | ● | ● | ● | ● | ● |
| latchless "O" Version: $\geq 20\text{ N}$ separating force | | | ● | ● | ● | ● | ● | ● | — | ● | ● |
| Termination Type: Solder Terminals | | | — | — | — | — | — | ● | — | ● | ● |
| PC Board Mount | | | ● | ● | ● | ● | ● | — | — | — | ● |
| IDC | | | ● | — | ● | — | — | — | — | — | ● |
| Screw Terminals | | | — | — | — | — | — | — | ● | — | ● |
| Materials | | | | | | | | | | | |
| Shell: Zinc diecast (ZnAl4Cu1) | | | — | — | — | — | ● | ● | — | ● | ● |
| (gal Ni or black Cr) | | | — | — | — | — | ● | ● | ● | ● | ● |
| Insert: Polyamide PA 6.6 30% GR | | | ● | ● | ● | ● | ● | ● | ● | ● | ● |
| Ring: Zinc diecast (ZnAl4Cu1) | | | — | — | ● | ● | — | — | — | — | — |
| Contacts female 3 pole: Bronze (CuSn6) | | | ● | ● | ● | ● | ● | ● | ● | ● | ● |
| female 4 - 7 pole: Brass (CuZn39Pb3) | | | ● | ● | ● | ● | ● | ● | — | ● | — |
| all male: Brass (CuZn39Pb3) | | | ● | ● | ● | ● | ● | ● | — | ● | ● |
| Contact surface: | | | | | | | | | | | |
| Gold: gal 0.2 μm AuCo over 2 μm NiP15 (Tribor®) | | | ● | ● | ● | ● | — | — | — | — | — |
| Gold: gal 0.2 μm Au hard alloy over 2 μm Ni | | | — | — | — | — | ● | ● | ● | ● | ● |
| Silver: gal 2 μm Ag | | | — | — | — | — | ● | ● | — | ● | ● |
| Latch lock & spring: Ck 67 steel, treated | | | ● | ● | ● | ● | ● | ● | ● | ● | ● |
| Environmental | | | | | | | | | | | |
| Operating temperature: -30°C to $+80^\circ\text{C}$ | | | ● | ● | ● | ● | ● | ● | ● | ● | ● |
| Flammability: UL 94 HB | | | ● | ● | ● | ● | ● | ● | ● | ● | ● |
| UL 94 V-0 | | | 3 pole | — | 3 pole | — | — | — | — | — | — |
| Protection class: IP 40 | | | ● | ● | ● | ● | ● | ● | ● | ● | ● |
| Solderability complies with IEC 68-2-20 | | | ● | ● | ● | ● | ● | ● | — | ● | ● |
| Mounting screw: | | | A-Screw | A-Screw | 1 | A-Screw | — | — | — | — | — |
| Color coding: | | | ACR -* | — | — | ACR -* | DSS | DSS | DSS | DSS | DSS |

1 B Series 3 pole connectors: B-Screw-1-8; 4 & 5 pole versions: A-Screw-1-8



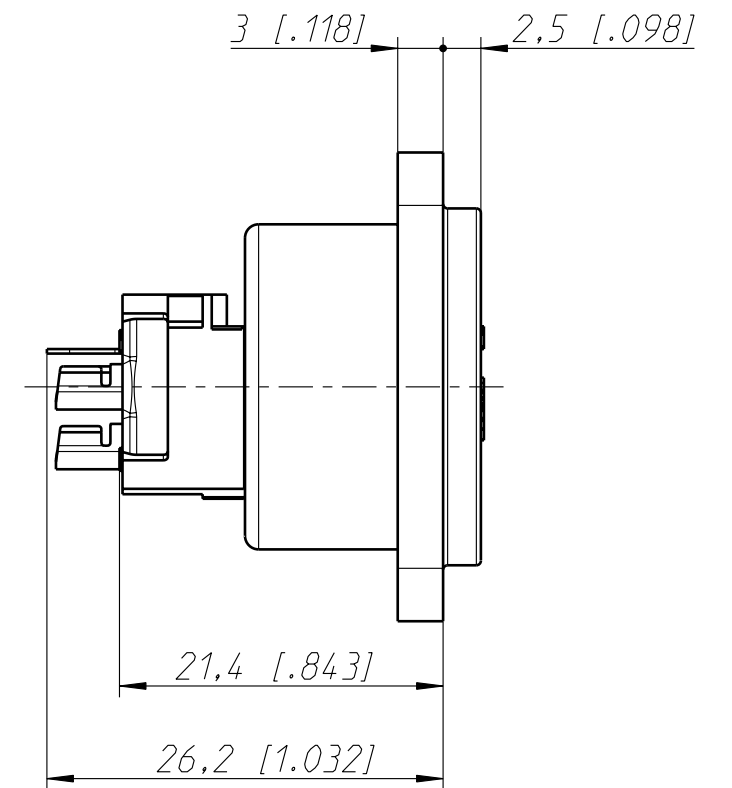
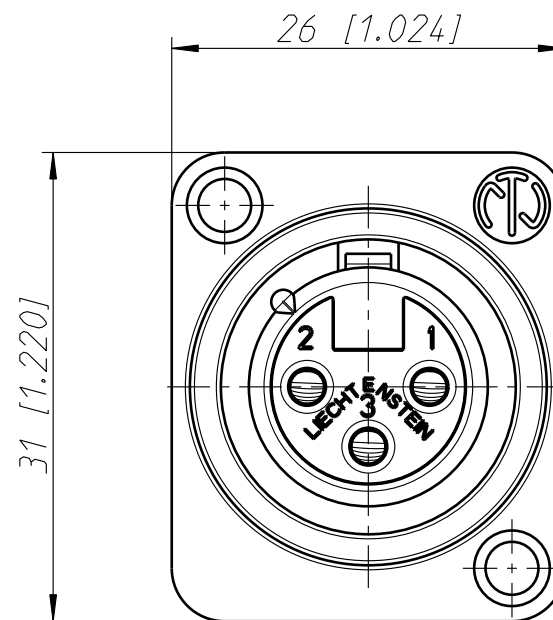
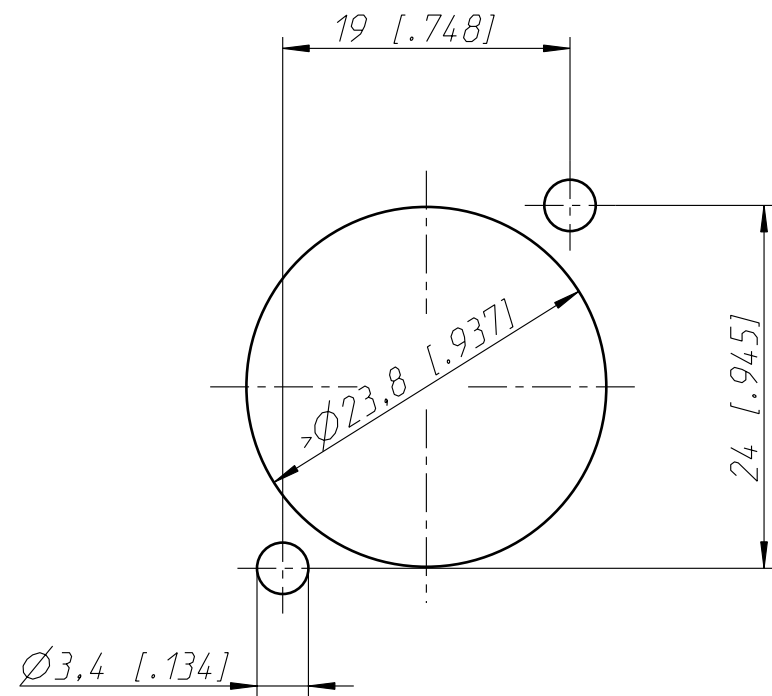
XLR Receptacles — Technical Data

| Specifications | | | DM3 Series | MPR-HD Series | NC3FIP (not pictured) | P Series | PP Series | Combo Series | Combo A Series |
|--|---------------------------|---|------------|---------------|-----------------------|-------------|-----------|--------------|----------------|
| Electrical | | | | | | | | | |
| Number of contacts: | | | 4 – 5 | 3 – 5 | 3 | 3 – 7 (6**) | 3 | 5 – 10 | 3/3 |
| Contact Resistance: | | ≤ 5 GΩ | ● | ● | ≤ 6 mΩ | ● | ● | ≤ 10 mΩ | ≤ 10 mΩ |
| Insulation Resistance: | Initial: | > 2 GΩ | ● | ● | ● | ● | ● | ● | ● |
| | After damp heat test: | > 1 GΩ | ● | ● | ● | ● | ● | > 0.5 GΩ | ● |
| Dielectric Strength: | | 1500 V dc | ● | ● | ● | ● | ● | ● | ● |
| Rated voltage: | | 50 V ac | ● | ● | ● | ● | ● | ● | ● |
| Rated current per contact | 3 pole: | 16 A | — | ● | ● | ● | ● | — | 3 A |
| | 4 pole: | 6 A | 10 A | 10 A | — | 10 A | — | — | — |
| | 5, 6 pole: | 3 A | 7.5 A | 7.5 A | — | 7.5 A | — | — | — |
| | 7 pole: | 5 A | — | — | — | ● | — | — | — |
| | Combo XLR + Jack contacts | 7.5 A | — | — | — | — | — | ● | ● |
| Capacitance between contacts | | | | | | | | | |
| | 3 pole: | ≤ 7 pF | — | ≤ 4 pF | ● | ≤ 4 pF | ● | > 2 pF | > 2 pF |
| | 4, 5, 6 pole: | ≤ 7 pF | ● | ● | — | ● | — | — | — |
| | 7 pole: | ≤ 9 pF | — | — | — | ● | — | — | — |
| Mechanical | | | | | | | | | |
| Lifetime > 1,000 insertion / withdrawal cycles | | | ● | ● | ● | ● | ● | ● | ● |
| Insertion/withdrawal force | | ≤ 20 Newtons (N) | ● | ● | ● | ● | ● | ● 25 N | ● |
| Retention method: | standard: | latch lock | ● | ● | — | ● | — | ●(XLR) | ●(XLR) |
| | Latchless "O" Version: | ≥ 20 N separating force | — | ● | ● >10 N | ● | ● | ● 25 N | ● 25 N |
| Termination Type: | | Solder Terminals | — | ● | — | ● | ● | ● | ● |
| | | PC Board Mount | ● | — | ● | — | — | ● | ● |
| Materials | | | | | | | | | |
| Shell: | Zinc diecast | (ZnAl4Cu1) | ● | ● | — | ● | — | — | — |
| | | (gal Ni or black Cr) | ● | Ni plated | — | ● | — | — | — |
| Insert: | Polyamide | PA 6.6 30% GR | ● | ● | ● | ● | ● | ● | ● |
| Ring: | Zinc diecast | (ZnAl4Cu1) | — | — | — | — | — | — | — |
| Contacts | female | 3 pole: Bronze (CuSn6) | — | — | ● | ● | ● | ● | ● |
| | female | 4 - 7 pole: Brass (CuZn39Pb3) | ● | — | — | — | — | — | — |
| | all male: | Brass (CuZn39Pb3) | ● | ● | — | ● | ● | — | — |
| Contact surface: | | | | | | | | | |
| | Gold: | gal 0.2 μm AuCo over 2 μm NiP15 (Tribor®) | — | — | — | — | — | ● | ● |
| | Gold: | gal 0.2 μm Au hard alloy over 2 μm Ni | ● | ● | ● | ● | ● | — | — |
| | Silver: | gal 2 μm Ag | ● | — | — | ● | — | — | — |
| Latch lock & spring: | | Ck 67 steel, treated | ● | — | ● | ● | ● | ● | ● |
| Environmental | | | | | | | | | |
| Operating temperature: | | -30° C to +80° C | ● | ● | ● | ● | ● | ● | ● |
| Flammability: | | UL 94 HB | ● | ● | ● | ● | ● | ● | ● |
| | | UL 94 V-0 | — | — | — | — | — | — | — |
| Protection class: | | IP 40 | ● | IP 65 | — | ● | ● | ● | ● |
| Solderability complies with IEC 68-2-20 | | | ● | ● | ● | ● | ● | ● | ● |
| Mounting screw: | | | M3 | — | — | — | — | A-Screw | A-Screw |
| Color coding: | | | ● | — | — | — | ● | — | — |

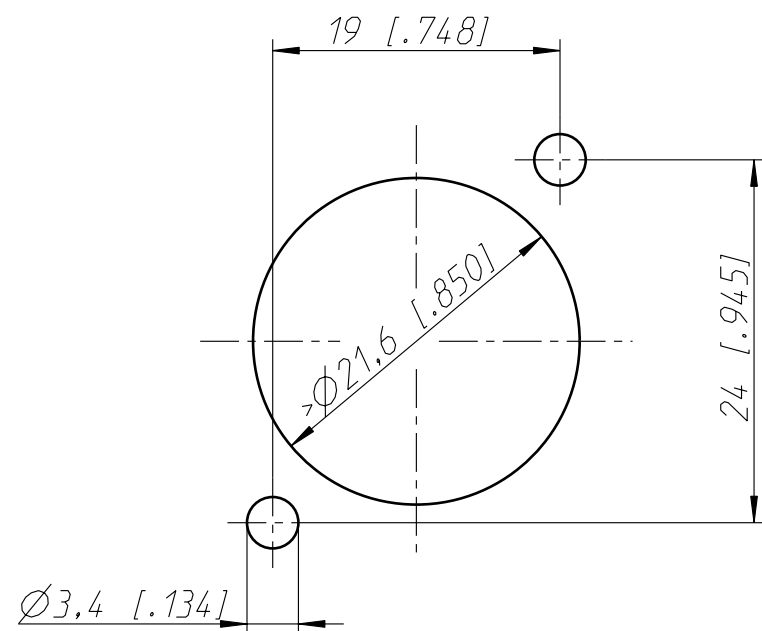
**..... P Series male 3 – 6 pole



Frontplattenausschnitt (Montage von hinten)
 Panel cut out (Panel-mounting option rear side)



Frontplattenausschnitt (Montage von vorne)
 Panel cut out (Panel-mounting option front side)



| Allgemeintoleranzen ISO 2768-m | Werkstoff | Massstab: | Datum | Name | |
|---|-----------|-----------|-------------------------|----------|----------------------|
| Zeichnung urheberrechtlich geschuetzt (DIN 34) (C) | - | 2:1 | Gezeichnet | 20.04.88 | Martinek |
| | - | (A3) | Freigegeben | - | - |
| Benennung | | | Geändert | 30.10.06 | Mijatovic |
| NC3FPP | | | Aend.-Nr. | | Aend.-Index |
| NC3FPP | | | - | | C |
| NEUTRIK AG FL-9494 SCHAAN | | | Ersatz fuer: 3102St1201 | | Blatt 1 von 1 Bl. |
| | | | Zeichn. Nr. | | ST-NC3FPP |

Mouser Electronics

Authorized Distributor

Click to View Pricing, Inventory, Delivery & Lifecycle Information:

[Neutrik:](#)

[NC3MPP](#)