



## OD8015 Series

DC Fan - 12V, 24V  
80 x 15mm (3.15 x .59in)



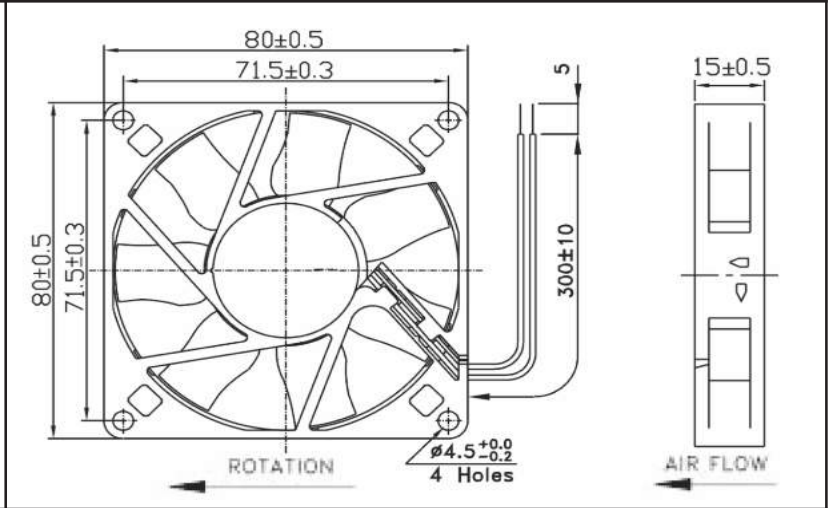
| Model #        | Pg # | Voltage | RPM  | CFM | Noise Level | Max Static Pressure  |
|----------------|------|---------|------|-----|-------------|----------------------|
| OD8015-12H     | 2    | 12 VDC  | 3200 | 30  | 33 dB       | .11 H <sub>2</sub> O |
| OD8015-12M     | 2    | 12 VDC  | 2500 | 23  | 26 dB       | .07 H <sub>2</sub> O |
| OD8015-12L     | 2    | 12 VDC  | 2000 | 20  | 20 dB       | .05 H <sub>2</sub> O |
| OD8015-24H     | 2    | 24 VDC  | 3200 | 30  | 33 dB       | .11 H <sub>2</sub> O |
| OD8015-24M     | 2    | 24 VDC  | 2500 | 23  | 26 dB       | .07 H <sub>2</sub> O |
| OD8015-12HB01A | 3    | 12 VDC  | 3200 | 30  | 33 dB       | .12 H <sub>2</sub> O |
| OD8015-12HB02A | 4    | 12 VDC  | 3200 | 30  | 33 dB       | .12 H <sub>2</sub> O |
| OD8015-12MB02A | 5    | 12 VDC  | 2440 | 22  | 25 dB       | .08 H <sub>2</sub> O |
| OD8015-24HB02A | 6    | 24 VDC  | 3200 | 30  | 33 dB       | .12 H <sub>2</sub> O |

\*\* For some models and part numbers, minimum order quantities may apply.

# OD8015 Series



DC Fan - 12, 24V  
80x15mm (3.15"x 0.59")



|                       |  |   |  |
|-----------------------|--|---|--|
| Frame & Impeller      | PBT, UL94V-0 plastic   | <b>Available Options:</b><br>Tachometer<br>Alarm<br>5V<br><br><u>Life Expectancy (L10)</u><br>Ball - 60,000 hrs (45C)<br>Sleeve - 30,000 hrs (45C)<br><br><u>Operating Temperature</u><br>Ball: -20C ~ +80C<br>Sleeve: -10C ~ +50C<br><br>Weight: ~0.14 lbs<br><br>m1 |  |
| Connection            | 2x Lead wires 24AWG  |   |  |
| Motor                 | Brushless DC, auto restart, impedance and polarity protected |   |  |
| Bearing System        | Ball bearing or Sleeve                                       |   |  |
| Insulation Resistance | 10M ohm between leadwire and frame (500VDC)                  |   |  |
| Dielectric Strength   | 1 minute at 500 VAC, max leakage < 500 MicroAmp              |   |  |
| Storage Temperature   | -40C ~ +80C  |   |  |

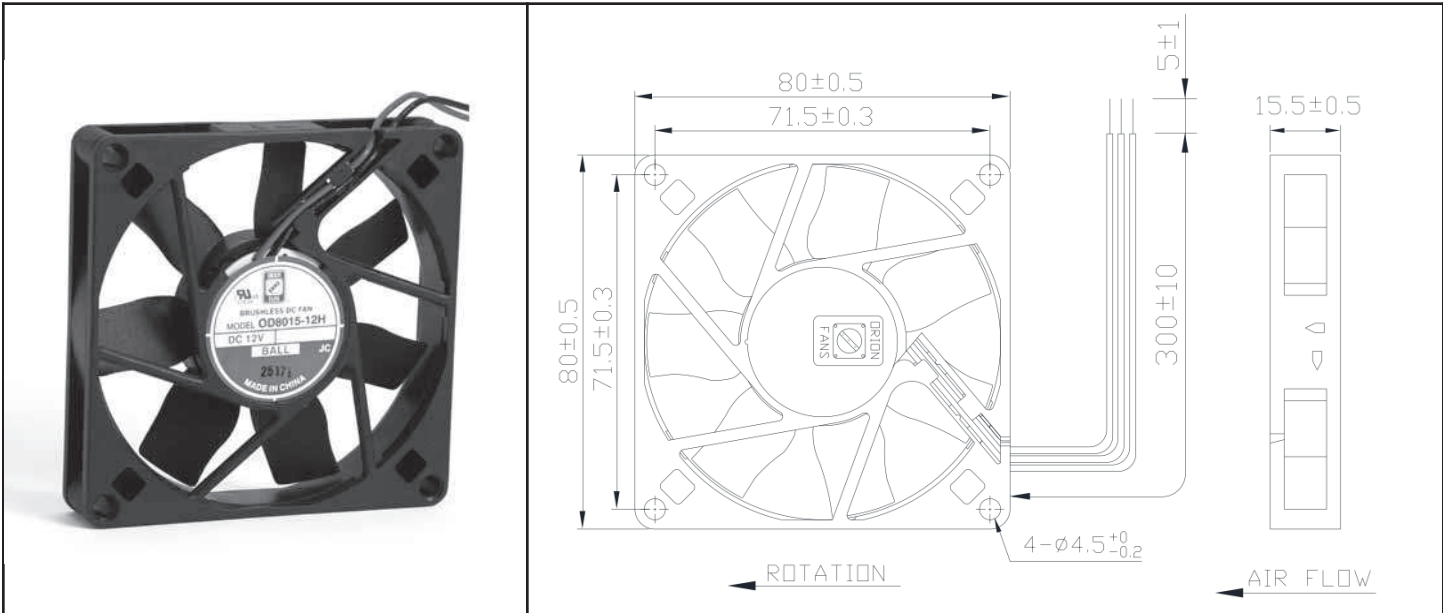
| Model Number | Speed (RPM) | Airflow (CFM) | Noise (dB) | Volts DC | Voltage Range (VDC) | Amps | Max. Static Pressure ("H <sub>2</sub> O) |
|--------------|-------------|---------------|------------|----------|---------------------|------|--|
| OD8015-12H*  | 3200        | 30            | 33         | 12       | 10.8~13.2           | 0.18 | 0.11                                     |
| OD8015-12M*  | 2500        | 23            | 26         | 12       | 10.8~13.2           | 0.12 | 0.07                                     |
| OD8015-12L*  | 2000        | 20            | 20         | 12       | 10.8~13.2           | 0.09 | 0.05                                     |
| OD8015-24H*  | 3200        | 30            | 33         | 24       | 22.6~26.4           | 0.10 | 0.11                                     |
| OD8015-24M*  | 2500        | 23            | 26         | 24       | 22.6~26.4           | 0.08 | 0.07                                     |

\* Indicate "B" for ball bearing or "S" for sleeve bearing

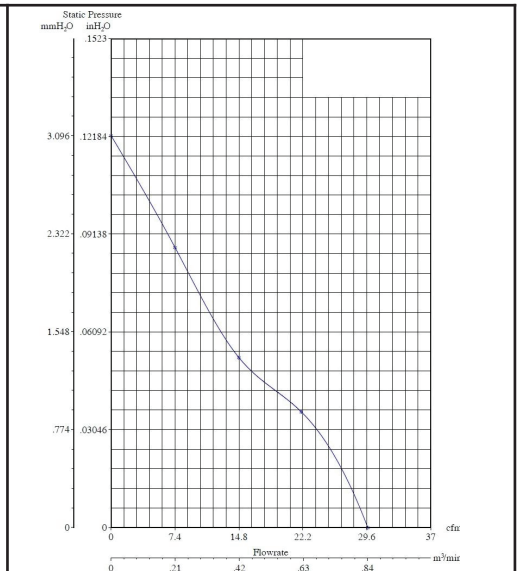
# OD8015-12HB01A



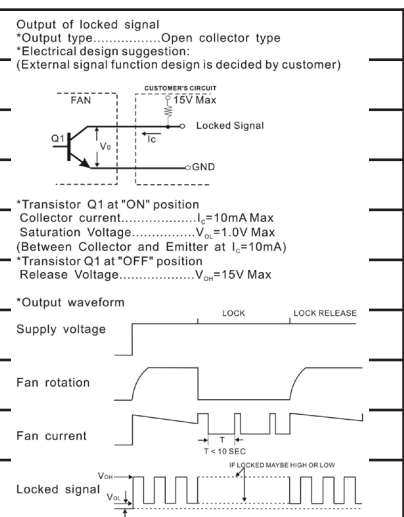
DC Fan, 12VDC  
80x15mm (3.15x.59in)



|                       |   |  |
|-----------------------|---|--|
| Frame & Impeller      | PBT, UL94V-0 plastic                            | <b>Available Options</b><br>IP55<br>Other speeds and voltages<br>Alarm<br>PWM<br><br>*Connection:<br>Wire Leads - UL1007<br>24AWG Red(+), Black (-),<br>White Tachometer<br><br>Weight: 62 g |
| Connection            | 3x Lead wires *                                 |  |
| Motor                 | Brushless DC, auto restart, polarity protected. |  |
| Bearing System        | Dual ball bearing                               |  |
| Insulation Resistance | Min. 10M at 500VDC                              |  |
| Dielectric Strength   | 1 second at 500VAC max leakage 500 microamp     |  |
| Temperature Range     | -10C ~ +70C                                     |  |
| Storage Temperature   | -40C ~ +80C                                     |  |
| Life (L10)            | 70,000 hours (40C)                              |  |



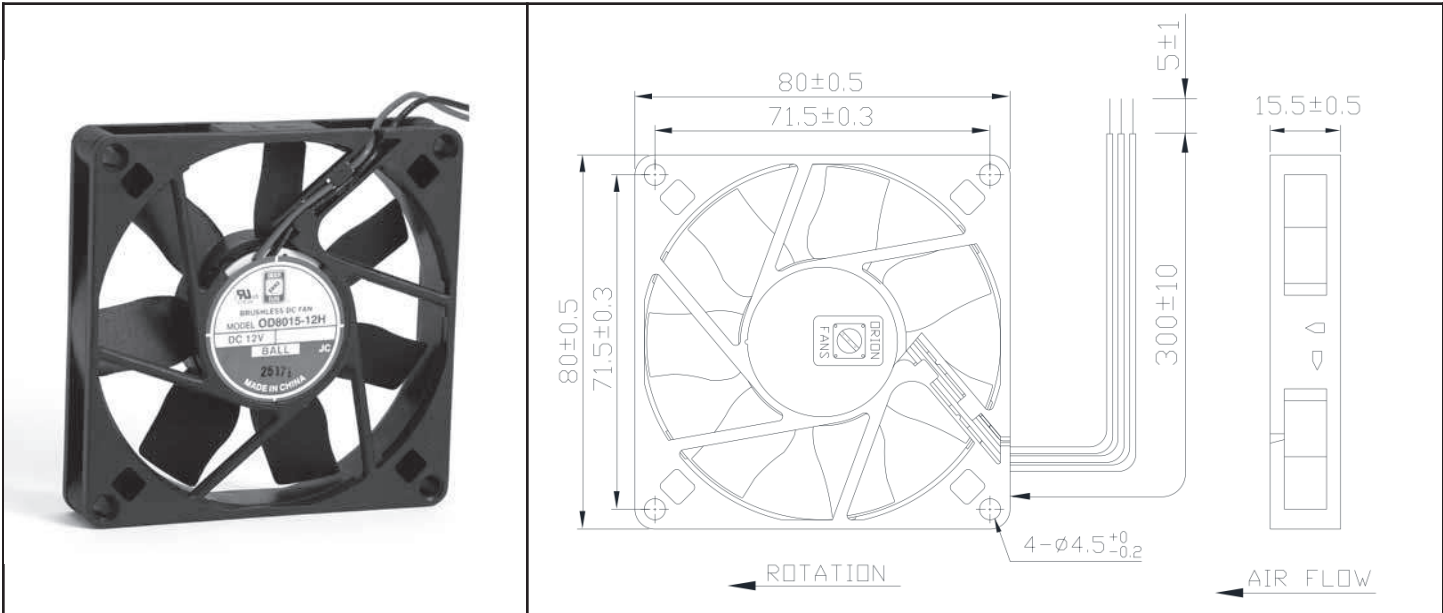
|                      |                       |
|----------------------|-----------------------|
| Model Number         | OD8015-12HB01A        |
| Part Number          | 181141221             |
| Nominal Voltage      | 12 VDC                |
| Voltage Range        | 7~13.2 VDC            |
| Nominal Current      | .11 A                 |
| Rated Power          | 2.28 Watts            |
| Rated Speed (RPM)    | 3200                  |
| Airflow (CFM)        | 30                    |
| Noise Level (dB)     | 33                    |
| Max. Static Pressure | .12 "H <sub>2</sub> O |



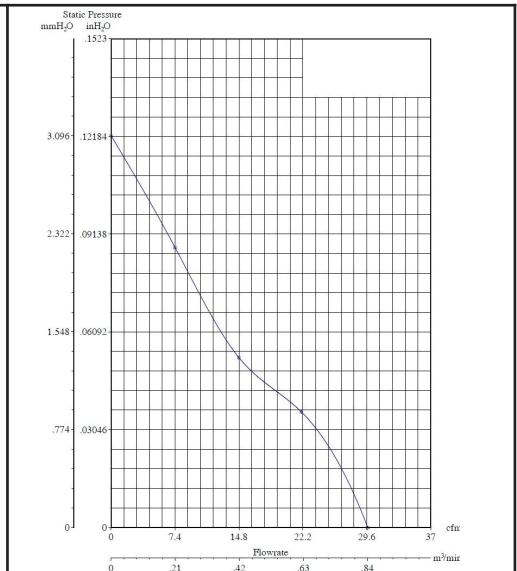
# OD8015-12HB02A



DC Fan, 12VDC  
80x15mm (3.15x.59in)



|                       |   |   |
|-----------------------|---|---|
| Frame & Impeller      | PBT, UL94V-0 plastic                            | <b>Available Options</b><br>IP55<br>Other speeds and voltages<br>Tachometer<br>PWM<br><br>*Connection:<br>Wire Leads - UL1007<br>24AWG Red(+), Black (-),<br>Yellow Alarm<br><br>Weight: 62 g |
| Connection            | 3x Lead wires *                                 |   |
| Motor                 | Brushless DC, auto restart, polarity protected. |   |
| Bearing System        | Dual ball bearing                               |   |
| Insulation Resistance | Min. 10M at 500VDC                              |   |
| Dielectric Strength   | 1 second at 500VAC max leakage 500 microamp     |   |
| Temperature Range     | -10C ~ +70C                                     |   |
| Storage Temperature   | -40C ~ +80C                                     |   |
| Life (L10)            | 70,000 hours (40C)                              |   |



|                      |                       |
|----------------------|-----------------------|
| Model Number         | OD8015-12HB02A        |
| Part Number          | 181141231             |
| Nominal Voltage      | 12 VDC                |
| Voltage Range        | 7~13.2 VDC            |
| Nominal Current      | .10 A                 |
| Rated Power          | 2.28 Watts            |
| Rated Speed (RPM)    | 3200                  |
| Airflow (CFM)        | 30                    |
| Noise Level (dB)     | 33                    |
| Max. Static Pressure | .12 "H <sub>2</sub> O |

Output of locked signal  
 \*Output type.....Open collector type  
 \*Electrical design suggestion:  
 (External signal function design is decided by customer)

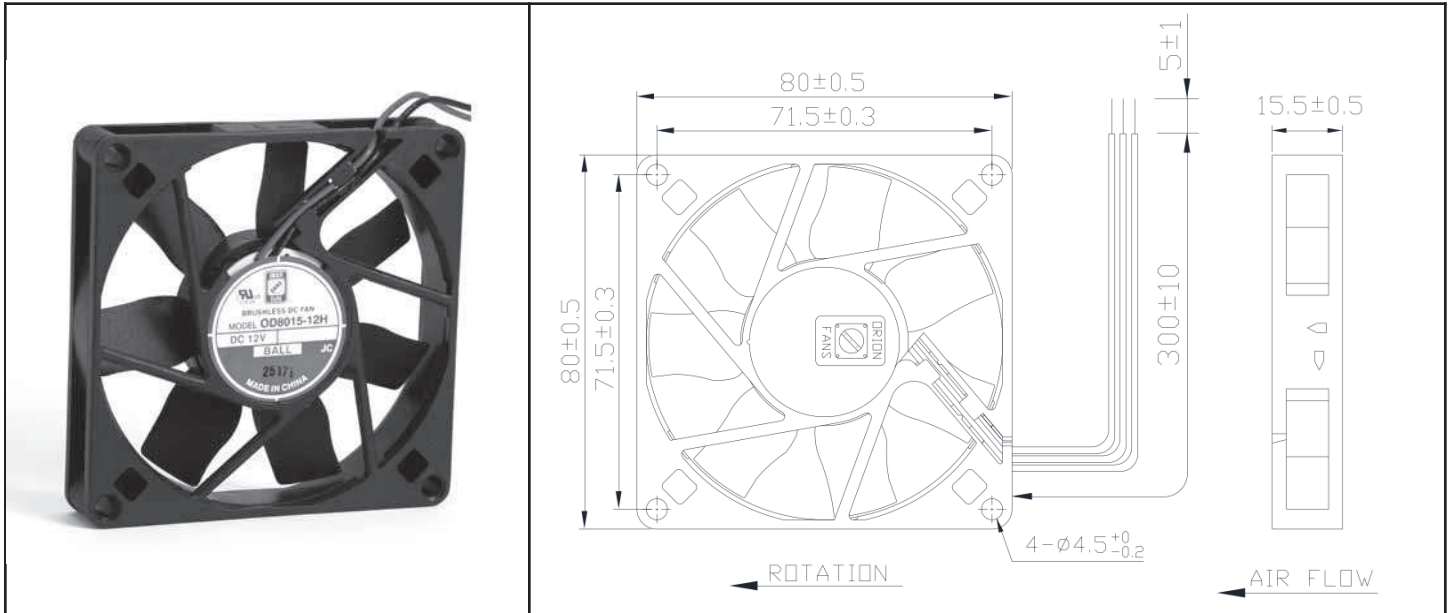
\*Transistor Q1 at "ON" position  
 Collector current.....I<sub>c</sub>=5mA Max  
 Saturation Voltage.....V<sub>ce</sub>=1.0V Max  
 (Between Collector and Emitter at I<sub>c</sub>=5mA)  
 \*Transistor Q1 at "OFF" position  
 Release Voltage.....V<sub>ce</sub>=15V Max

\*Output waveform

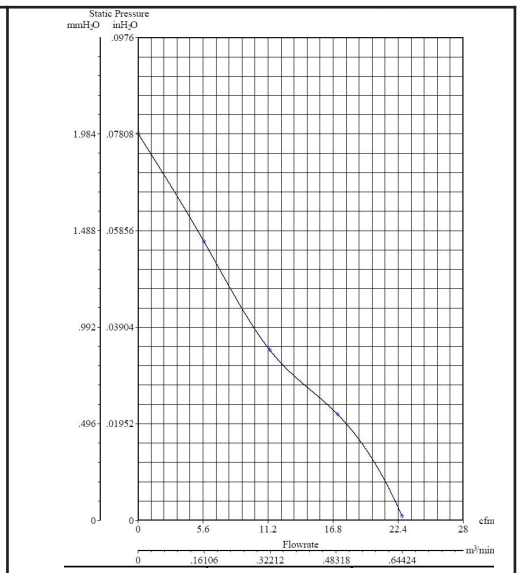
# OD8015-12MB02A



DC Fan, 12VDC  
80x15mm (3.15x.59in)



|                       |   |   |
|-----------------------|---|---|
| Frame & Impeller      | PBT, UL94V-0 plastic                            | <b>Available Options</b><br>IP55<br>Other speeds and voltages<br>Tachometer<br>PWM<br><br>*Connection:<br>Wire Leads - UL1007<br>24AWG Red(+), Black (-),<br>Yellow Alarm<br><br>Weight: 62 g |
| Connection            | 3x Lead wires *                                 |   |
| Motor                 | Brushless DC, auto restart, polarity protected. |   |
| Bearing System        | Dual ball bearing                               |   |
| Insulation Resistance | Min. 10M at 500VDC                              |   |
| Dielectric Strength   | 1 second at 500VAC max leakage 500 microamp     |   |
| Temperature Range     | -10C ~ +70C                                     |   |
| Storage Temperature   | -40C ~ +80C                                     |   |
| Life (L10)            | 70,000 hours (40C)                              |   |



|                      |                       |
|----------------------|-----------------------|
| Model Number         | OD8015-12MB02A        |
| Part Number          | 181131231             |
| Nominal Voltage      | 12 VDC                |
| Voltage Range        | 7~13.2 VDC            |
| Nominal Current      | .05 A                 |
| Rated Power          | 1.8 Watts             |
| Rated Speed (RPM)    | 2440                  |
| Airflow (CFM)        | 22                    |
| Noise Level (dB)     | 25                    |
| Max. Static Pressure | .08 "H <sub>2</sub> O |

Output of locked signal  
 \*Output type.....Open collector type  
 \*Electrical design suggestion:  
 (External signal function design is decided by customer)

\*Transistor Q1 at "ON" position  
 Collector current.....I<sub>c</sub>=5mA Max  
 Saturation Voltage.....V<sub>ce</sub>=1.0V Max  
 (Between Collector and Emitter at I<sub>c</sub>=5mA)  
 \*Transistor Q1 at "OFF" position  
 Release Voltage.....V<sub>ce</sub>=15V Max

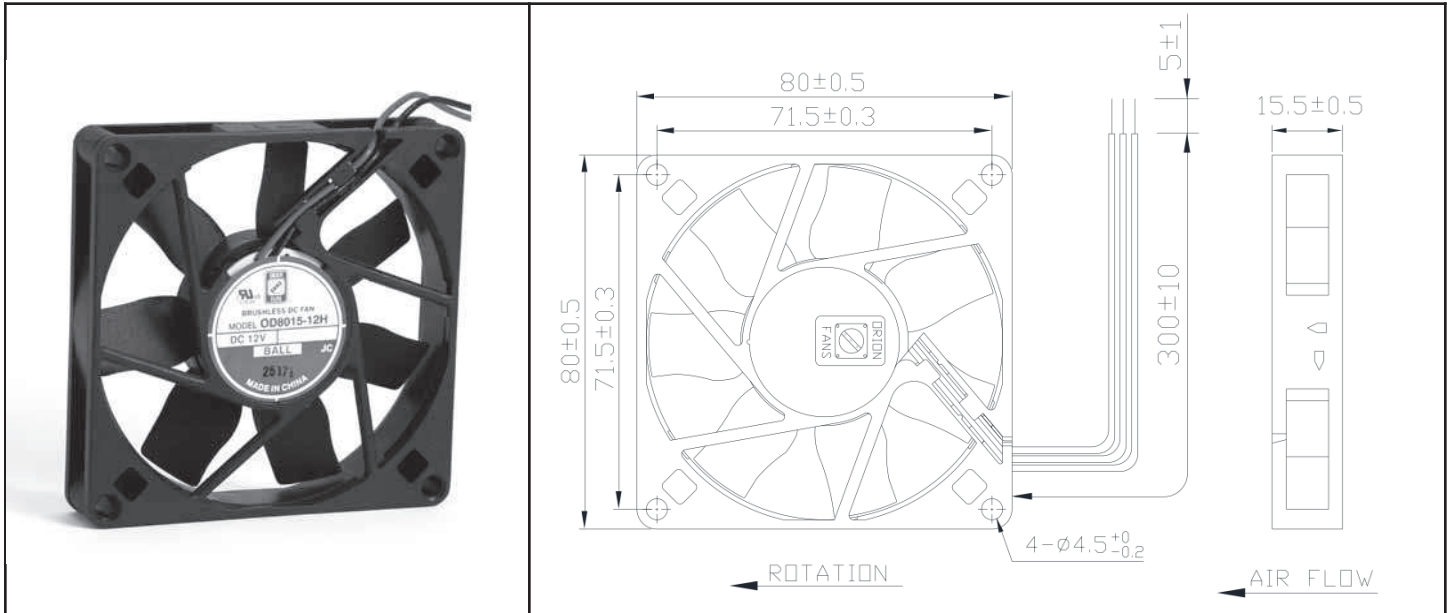
\*Output waveform



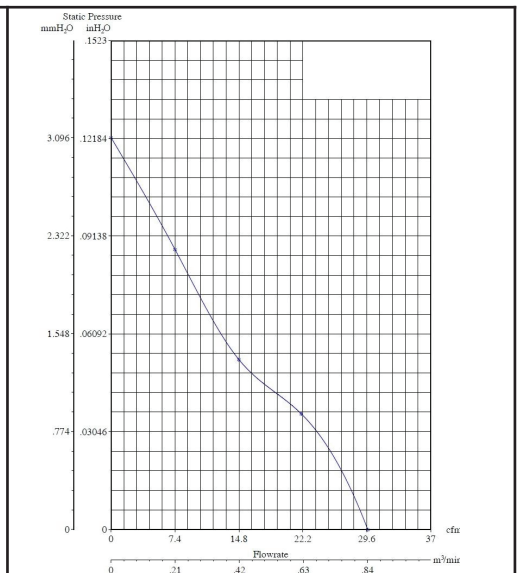
# OD8015-24HB02A



DC Fan, 24VDC  
80x15mm (3.15x.59in)



|                       |   |   |
|-----------------------|---|---|
| Frame & Impeller      | PBT, UL94V-0 plastic                            | <b>Available Options</b><br>IP55<br>Other speeds and voltages<br>Tachometer<br>PWM<br><br>*Connection:<br>Wire Leads - UL1007<br>24AWG Red(+), Black (-),<br>Yellow Alarm<br><br>Weight: 62 g |
| Connection            | 3x Lead wires *                                 |   |
| Motor                 | Brushless DC, auto restart, polarity protected. |   |
| Bearing System        | Dual ball bearing                               |   |
| Insulation Resistance | Min. 10M at 500VDC                              |   |
| Dielectric Strength   | 1 second at 500VAC max leakage 500 microamp     |   |
| Temperature Range     | -10C ~ +70C                                     |   |
| Storage Temperature   | -40C ~ +80C                                     |   |
| Life (L10)            | 70,000 hours (40C)                              |   |



|                      |                       |
|----------------------|-----------------------|
| Model Number         | OD8015-24HB02A        |
| Part Number          | 181241231             |
| Nominal Voltage      | 24 VDC                |
| Voltage Range        | 17~26.4 VDC           |
| Nominal Current      | .08 A                 |
| Rated Power          | 3.36 Watts            |
| Rated Speed (RPM)    | 3200                  |
| Airflow (CFM)        | 30                    |
| Noise Level (dB)     | 33                    |
| Max. Static Pressure | .12 "H <sub>2</sub> O |

Output of locked signal  
 \*Output type.....Open collector type  
 \*Electrical design suggestion:  
 (External signal function design is decided by customer)

\*Transistor Q1 at "ON" position  
 Collector current.....I<sub>c</sub>=10mA Max  
 Saturation Voltage.....V<sub>ce</sub>=1.0V Max  
 (Between Collector and Emitter at I<sub>c</sub>=10mA)  
 \*Transistor Q1 at "OFF" position  
 Release Voltage.....V<sub>ce</sub>=30V Max

\*Output waveform

# Mouser Electronics

Authorized Distributor

Click to View Pricing, Inventory, Delivery & Lifecycle Information:

## Orion Fans:

[OD8015-12MS](#) [OD8015-12MB](#) [OD8015-12HS](#) [OD8015-12HB](#) [OD8015-12LB](#) [OD8015-12LS](#) [OD8015-24HB](#)  
[OD8015-24HS](#) [OD8015-24LB](#) [OD8015-24MB](#) [OD8015-24MS](#) [OD8015-24HB01A](#) [OD8015-12HB01A](#) [OD8015-](#)  
[12MB02A](#) [OD8015-24HB02A](#) [OD8015-12HB02A](#) [OD8015-05LS](#) [OD8015-05LB](#)