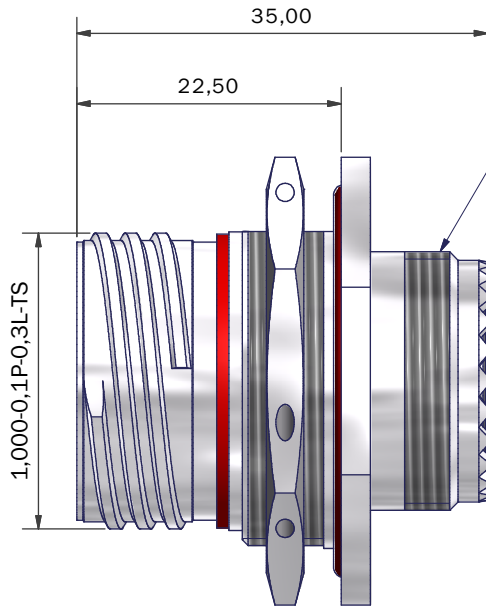
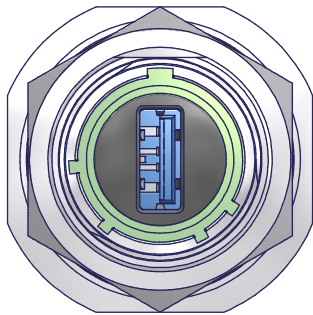
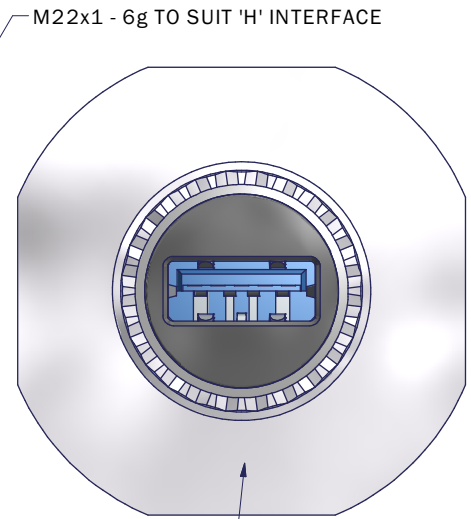


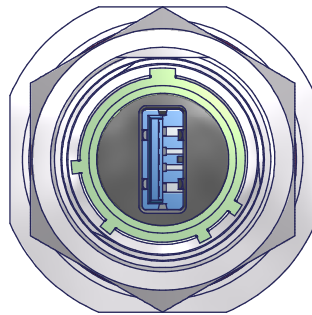
OPTION X (STANDARD)



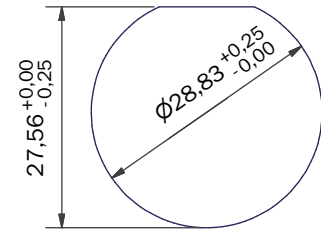
LASER PART/BATCH MARK HERE



OPTION Y



OPTION Z



RECOMMENDED PANEL CUT OUT

**NOTES**  
 GENERALLY TO THE REQUIREMENTS OF MIL-DTL-38999  
 MATES WITH AMPHENOL USBFTV AND USB3FTV

**MATERIALS**  
 USB 3.0 A INSERT  
 CONTACT AREA 0,76µm Au OVER 1,27-2,54 µm Ni  
 SHIELDING - TIN PLATED BRASS  
 BODY - LCP, UL94V-0

PCB - FR4, UL94V-0  
 SEAL - SILICONE ELASTOMER  
 INSULATOR - PPS GL40 UL94  
 POTTING - RTV3140 UL94V-0

**PERFORMANCE**  
 CURRENT RATING - PINS 1 AND 4 - 1.8 AMP MAX  
 - OTHER PINS - 0.25A MAX  
 DATA RATE - UP TO 5Gbit/s FOR SUPERSPEED USB  
 VOLTAGE RATING 30V AC  
 TEMPERATURE -20°C TO +85°C  
 5000 MATING CYCLES MAX (USB 3.0 CONNECTOR ONLY)

SHELL - MATING CYCLES 500 MAX  
 SEALED TO IP68 WHEN MATED

**PC4F0086-15NX-1-C**

SERIES  
 SHELL SIZE  
 KEY ARRANGEMENT (N, A, B, C, D, E)  
 INSERT ROTATION (X = 0°, Y = 90°, Z = 270°)  
 MATERIAL AND PLATING (SEE TABLE)

CODE	MATERIAL / FINISH
1-C	ALUMINIUM / ELECTROLESS NICKEL
1-B	ALUMINIUM / CADMIUM OLIVE DRAB OVER ELECTROLESS NICKEL
1-ZB	ALUMINIUM / ZINC COBALT OLIVE DRAB OVER ELECTROLESS NICKEL
1-ZK	ALUMINIUM / ZINC COBALT BLACK OVER ELECTROLESS NICKEL
1-ZN	ALUMINIUM / ZINC NICKEL BLACK PASSIVATE OVER ELECTROLESS NICKEL
4-J	STAINLESS STEEL / PASSIVATE
2-Z	NICKEL ALUMINIUM BRONZE / SHOT BLAST

LIST NOT EXHAUSTIVE, FOR COMPREHENSIVE LIST AND SPECS, SEE WEBSITE

DRAWN	R.S.	DATE	 3RD ANGLE PROJECTION NOT TO SCALE
SALES APPR	J.C.	27/05/2015	
DESIGN APPR	M.PAUL	28/05/2015	
PROD APPR	K.S.	28/05/2015	
QUAL APPR	P.REES	28/05/2015	
ISSUE	REV.	DCR	<b>MATERIAL</b> SEE PART NUMBER BREAKDOWN <b>FINISH</b> SEE PART NUMBER BREAKDOWN
1			
NCAGE CODE U5792		WEIGHT	

PART NUMBER:

PC4F0086-15NX-x-x

TITLE:

USB 3.0 A FEEDTHROUGH JAM NUT RECEPTACLE

ASSY USED ON: USB 3.0 D38999/24

THIS DRAWING IS COPYRIGHT AND THE PROPERTY OF POLAMCO LTD  
 IT MUST NOT BE COPIED, USED FOR MANUFACTURE OR OTHERWISE  
 DISCLOSED WITHOUT PRIOR WRITTEN CONSENT OF THE COMPANY.

POLAMCO LTD, WESTON LOCK,  
 LOWER BRISTOL ROAD  
 BATH BA2 1EP

SHT  
 1



DRAWING NO:  
 C6200

# Mouser Electronics

Authorized Distributor

Click to View Pricing, Inventory, Delivery & Lifecycle Information:

[TE Connectivity:](#)

[PC4F0086-15NY-1-B](#) [PC4F0086-15NZ-1-C](#)