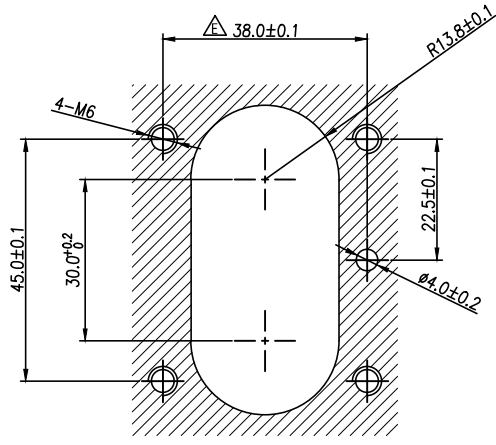
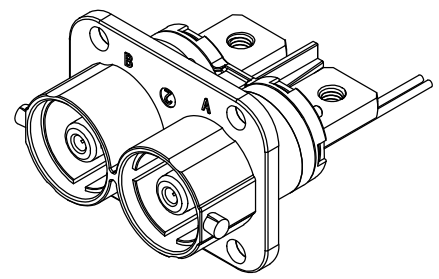
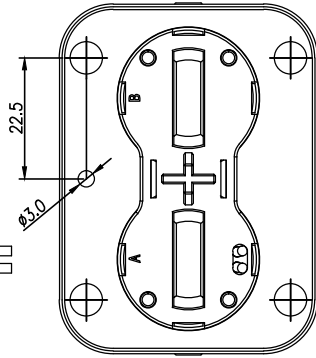
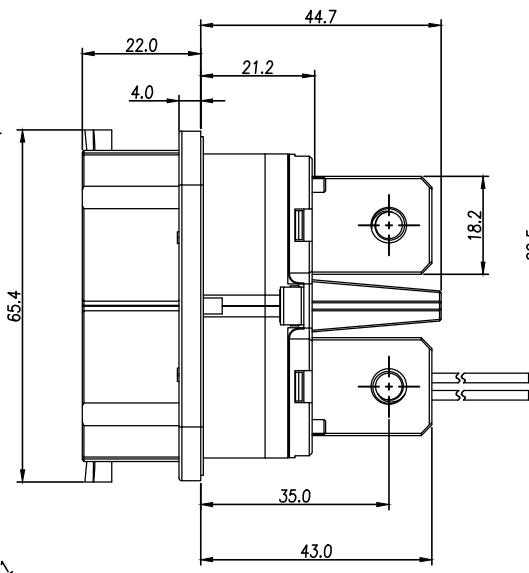
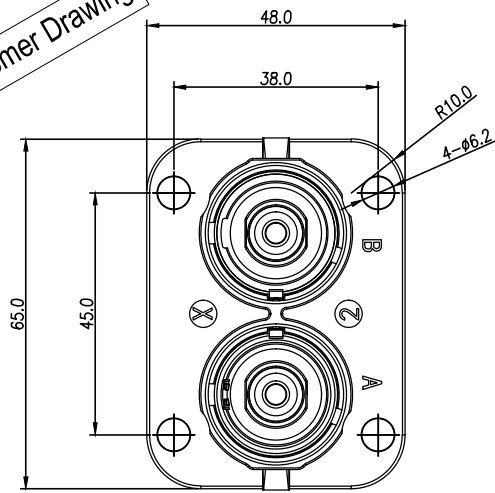


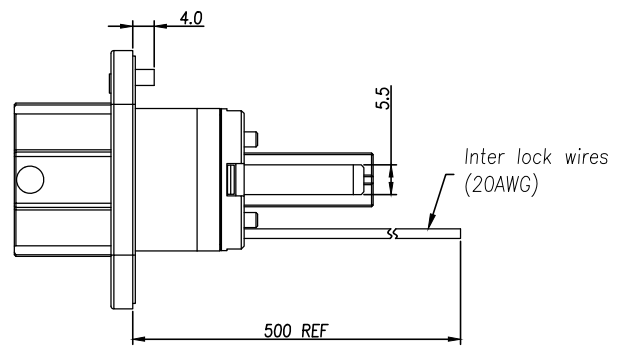
THIS DRAWING IS SUPPLIED FOR INFORMATION ONLY. DESIGN FEATURES, SPECIFICATIONS AND PERFORMANCE DATA SHOWN HEREON ARE THE PROPERTY OF THE AMPHENOL CORPORATION. NO RIGHTS OF REPRODUCTION ARE IMPLIED. ALL DIMENSIONS ARE SUBJECT TO NORMAL MANUFACTURING VARIATIONS.

REVISIONS					
REV	ZONE	ECO	DESCRIPTION	DATE	BY APPR
A	--	--	Change design	04/11/14	RW EC
D	--	--	Increase thickness of Flange, Add Blank and Error Proof Pin on Flange	12/25/14	RW EC
E	--	--	Add Dimensions	01/09/15	RW EC
F	--	--	Add Protection Class: IP2X	05/05/15	RW EC

Customer Drawing



面板安装孔尺寸
Panel Size



Standard Part List (With HVIL)

P/N	Model NO.	Mating Plug Model NO.
AC-HA000799	PL082X-301-10D10	PL182X-301-XX, PL282X-301-XX
AC-HA000800	PL082Y-301-10D10	PL182Y-301-XX, PL282Y-301-XX
AC-HA000803	PL082X-301-10D8	PL182X-301-XX, PL282X-301-XX
AC-HA000804	PL082Y-301-10D8	PL182Y-301-XX, PL282Y-301-XX
AC-HA000805	PL082X-301-10M8	PL182X-301-XX, PL282X-301-XX
AC-HA000806	PL082Y-301-10M8	PL182Y-301-XX, PL282Y-301-XX
AC-HA001208	PL082X-301-10M6	PL182X-301-XX, PL282X-301-XX
AC-HA001209	PL082Y-301-10M6	PL182Y-301-XX, PL282Y-301-XX

Standard Part List (Without HVIL)

P/N	Model NO.	Mating Plug Model NO.
AC-HA000807	PL082X-300-10D10	PL182X-300-XX, PL282X-300-XX
AC-HA000808	PL082Y-300-10D10	PL182Y-300-XX, PL282Y-300-XX
AC-HA000811	PL082X-300-10D8	PL182X-300-XX, PL282X-300-XX
AC-HA000812	PL082Y-300-10D8	PL182Y-300-XX, PL282Y-300-XX
AC-HA000813	PL082X-300-10M8	PL182X-300-XX, PL282X-300-XX
AC-HA000814	PL082Y-300-10M8	PL182Y-300-XX, PL282Y-300-XX
AC-HA001212	PL082X-300-10M6	PL182X-300-XX, PL282X-300-XX
AC-HA001213	PL082Y-300-10M6	PL182Y-300-XX, PL282Y-300-XX

规格参数 (Spec.):

- 工作温度 Operating temperature: -40° C~+125° C.
- 额定电流 Current rating (Connector Only): 300 A.
- 额定电压 Operating voltage: 1000 VDC.
- 耐电压 Dielectric withstanding voltage: 5000 VDC.
- 防护等级 Protection class: IP67 & IP2X.
- 电磁屏蔽 Shielding.
- 机械寿命 Mating cycle: 50 Min.
- 带自动二次锁扣 Automatic secondary lock.
- 带高压互锁 Electrical interlock (HVIL).
- 法兰盘螺丝安装扭矩 Screw Assembly Torque on Flange : 6.2~7.6 Nm

订购信息 Ordering Information

PL082 X - 30 1 - 10 D 8			
键位及颜色 Key "X" Key "Y" Key	高压互锁 HVIL 0, 不带互锁 No HVIL 1, 带互锁 With HVIL	孔种类 Hole Type D, 通孔 Through Hole M, 螺纹孔 Screw Hole H, 腰孔 Slotted Hole	联接螺栓 Bolt Size Customer Define



Amphenol Technical Products International GZ

第三角投影 THIRD ANGLE PROJECTION	页面 SHEET	幅面 SIZE	版次 REV.	比例 SCALE	PART NAME: PwrLok 10mm 2POS Rcpt Conn
1 of 1	A3	F			DWG NO: PL082-300-10
UNLESS OTHERWISE SPECIFIED 1) All dimensions are in metric (mm). 2) Tolerances are as follows: 0 PL DEC ±1.00 1 PL DEC ±0.50 2 PL DEC ±0.20					CUST PART #: N/A
签名 SIGNATURE					CUST REV. -
日期 DATE					
制图 DRAWN					
审核 CHECKED					
批准 APPROVAL					

Mouser Electronics

Authorized Distributor

Click to View Pricing, Inventory, Delivery & Lifecycle Information:

Amphenol:

[PL18X-301-70](#) [PL28X-301-70](#) [PL182X-301-70](#) [PL282X-301-70](#) [PL183X-301-70](#) [PL183X-301-50](#) [PL00W-301-10D8](#)
[PL082X-301-10D10](#) [PL083X-301-10D8](#) [PL00W-301-10D10](#) [PL18Y-301-50](#) [PL18W-301-50](#) [PL18X-301-50](#) [PL00X-](#)
[301-10D8](#) [PL182X-301-50](#) [PL18W-301-70](#) [PL18Y-301-70](#) [PL00Y-301-10D10](#) [PL083X-301-10D10](#) [PL00Y-301-10D8](#)
[PL082X-301-10D8](#) [PL283X-301-50](#) [PL283X-301-70](#) [PL282X-301-50](#) [PL00X-301-10D10](#) [PL28Y-301-70](#) [PL28W-](#)
[301-70](#) [PL28W-301-50](#) [PL28Y-301-50](#) [PL28X-301-50](#) [PL082X-300-10D10](#) [PL082X-300-10M8](#)