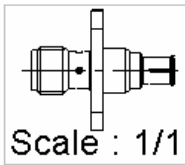
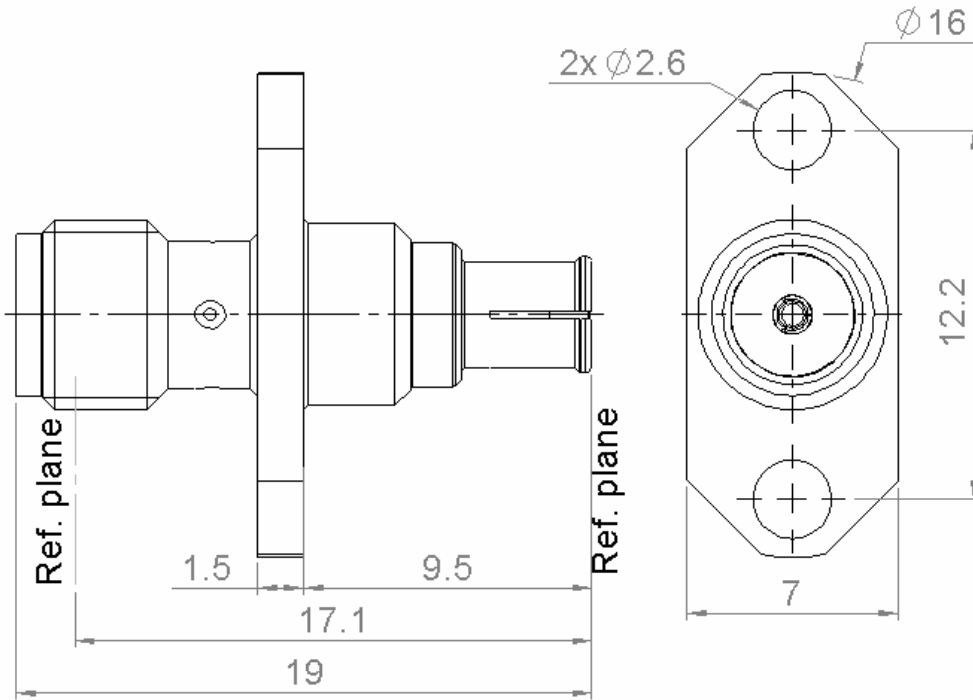


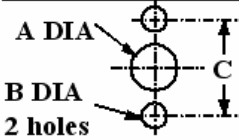
**2 HOLES FLANGE SMA FEMALE-SMP-MAX FEMALE
STRAIGHT ADAPTER**

R191.553.400

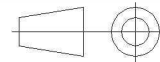
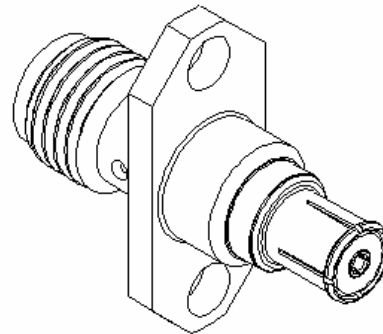
Série : ADAPTER



PANEL CUT OUT



	mm	
	Maxi	mini
A	6.6	6.5
B	2.7	2.6
C	12.25	12.15



All dimensions are in mm.

COMPONENTS	MATERIALS	PLATING (µm)
BODY	BRASS	NPGR
CENTER CONTACT	BERYLLIUM COPPER	NPGR
OUTER CONTACT	BERYLLIUM COPPER	NPGR
INSULATOR	PTFE	
GASKET		
OTHERS PARTS		
-	-	-
-	-	-

Issue : 1138 A

In the effort to improve our products, we reserve the rights to make changes judged to be necessary.



2 HOLES FLANGE SMA FEMALE-SMP-MAX FEMALE

R191.553.400

STRAIGHT ADAPTER

Série : ADAPTER

PACKAGING

SPECIFICATION

Standard	Unit	Other
1	-	Contact us

ELECTRICAL CHARACTERISTICS

ENVIRONMENTAL

Impedance **50** Ω
 Frequency **0-6** GHz
 VSWR **1.03 + 0.0300** x F(GHz) Maxi
 Insertion loss **0.05** √F(GHz) dB Maxi
 RF leakage - (**NA** - F(GHz)) dB Maxi
 Voltage rating **335** Veff Maxi
 Dielectric withstanding voltage **1000** Veff mini
 Insulation resistance **5000** MΩ mini

Operating **-55/+125** °C
 Hermetic seal **NA** Atm.cm3/s
 Panel leakage **NA**

MECHANICAL CHARACTERISTICS

OTHER CHARACTERISTICS

Center contact retention
 Axial force – Mating end **18** N mini
 Axial force – Opposite end **18** N mini
 Torque **NA** N.cm mini

Recommended torque
 Mating **SMA-COM 0** N.cm
 SMP-MAX 0 N.cm
 0 N.cm
 Panel nut **NA** N.cm

Mating life **100** Cycles mini
 Weight **2.8670** g

Issue : 1138 A

In the effort to improve our products, we reserve the rights to make changes judged to be necessary.



Mouser Electronics

Authorized Distributor

Click to View Pricing, Inventory, Delivery & Lifecycle Information:

[Radial:](#)

[R191553400](#)