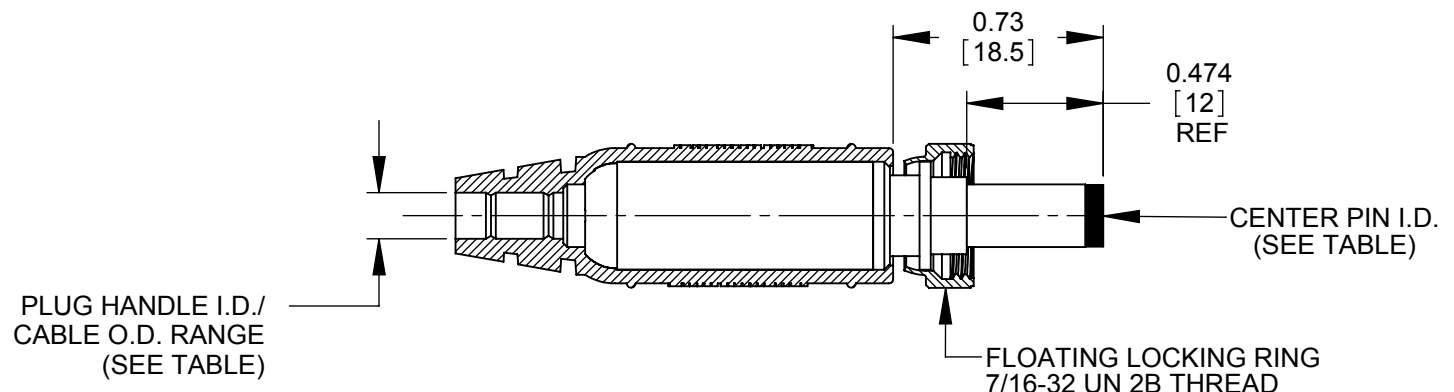
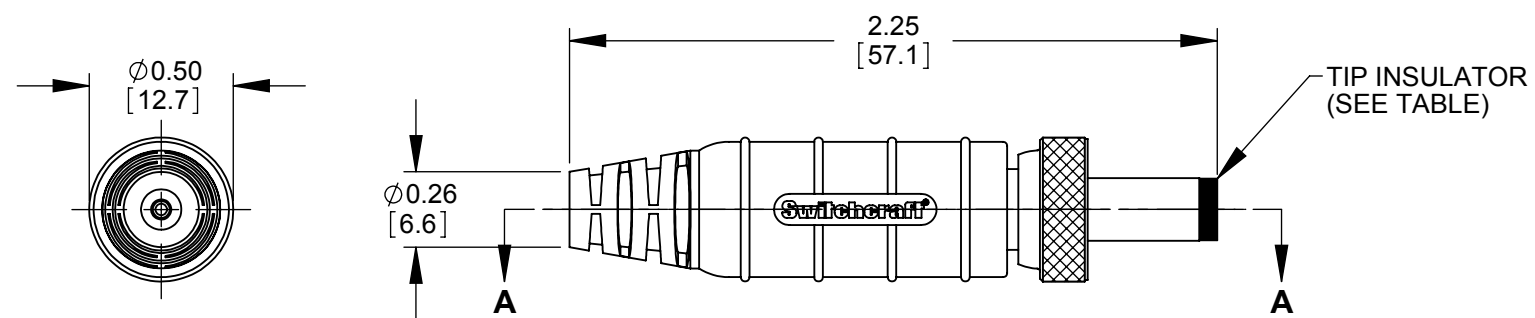
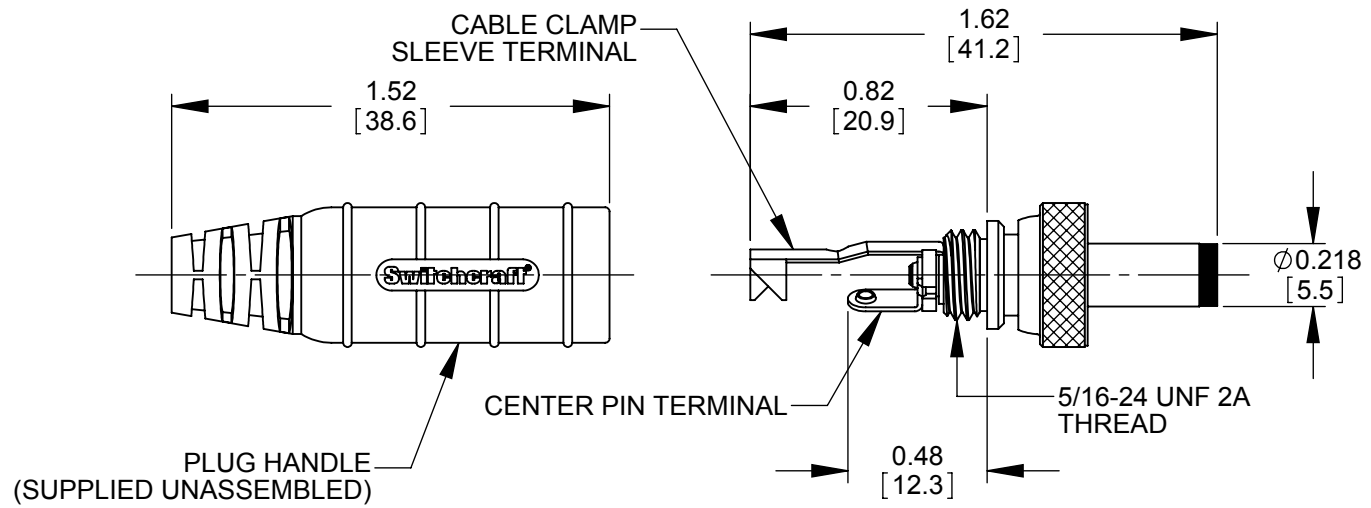


PART NUMBER	CENTER PIN I.D. (PLUG SIZE)	TIP INSULATOR COLOR	CABLE O.D. RANGE	MATING POWER JACKS REFERENCE
761KSH12	0.10 [2.5]	GREEN	0.125 - 0.150 [3.2 - 3.8mm]	L712ASH, L712RASH, PCL712ASH
761KSH15			0.150 - 0.175 [3.8 - 4.4mm]	
761KSH17			0.175 - 0.210 [4.4 - 5.1mm]	
S761KSH12	0.08 [2.0]	YELLOW	0.125 - 0.150 [3.2 - 3.8mm]	L722ASH, L722RASH, PCL722ASH
S761KSH15			0.150 - 0.175 [3.8 - 4.4mm]	
S761KSH17			0.175 - 0.210 [4.4 - 5.1mm]	



SECTION A-A

PRELIMINARY

CUSTOMER DRAWING

NOTES:

- MATERIAL:
CONTACTORS, LOCKING RING - COPPER ALLOY, NICKEL PLATED
TERMINALS - COPPER ALLOY, TIN PLATED
INSULATORS - THERMOPLASTIC
PLUG HANDLE - THERMOPLASTIC RUBBER OVER THERMOPLASTIC, BLACK
- THIS PRODUCT IS RoHS COMPLIANT

REV	ECO NUMBER	DATE	BY	APVD
0A	PDR 15004	6/27/16	PNK	SRC
REVISIONS				

UNLESS OTHERWISE SPECIFIED

1. ALL DIMENSIONS IN INCHES

- TWO PLACE DECIMALS ±0.02

- THREE PLACE DECIMALS ±0.005

DO NOT SCALE DRAWING

THIS DRAWING DESCRIBES A DESIGN CONSIDERED PROPRIETARY IN NATURE, DEVELOPED AND MANUFACTURED BY SWITCHCRAFT INC. AND IS RELEASED ON A CONFIDENTIAL BASIS FOR IDENTIFICATION PURPOSES ONLY.										
SIZE	WIDTH	MULT	LBS/M	TEMPER						
FINISH					MATERIAL					
SPEC No.					SPEC No.					
FIRST USED ON			SCALE		Switchcraft [®]					
			1.5:1							
DATE DRAWN	BY	CHKD	APVD							
6/27/16	PNK	PNK	SRC							
			6/27/16	6/27/16	SHEET 1 OF 1					
NAME SEALED HT POWER PLUGS 761KSH, S761KSH SERIES, RoHS								PART No.		REV
								761KSH, S761KSH SERIES		0A

Mouser Electronics

Authorized Distributor

Click to View Pricing, Inventory, Delivery & Lifecycle Information:

[Switchcraft:](#)

[761KSH17](#) [S761KSH17](#) [761KSH15](#) [S761KSH15](#) [S761KSH12](#) [761KSH12](#)