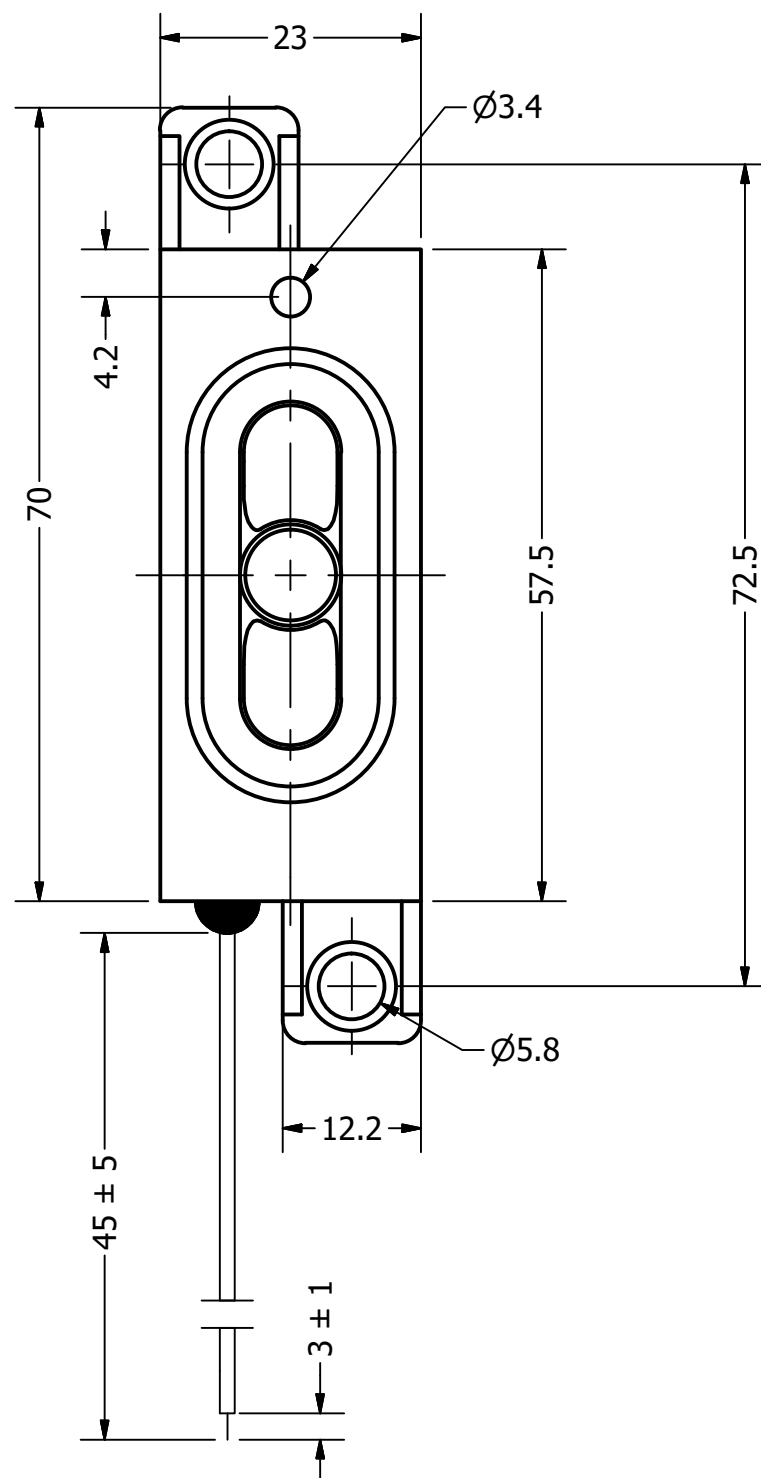


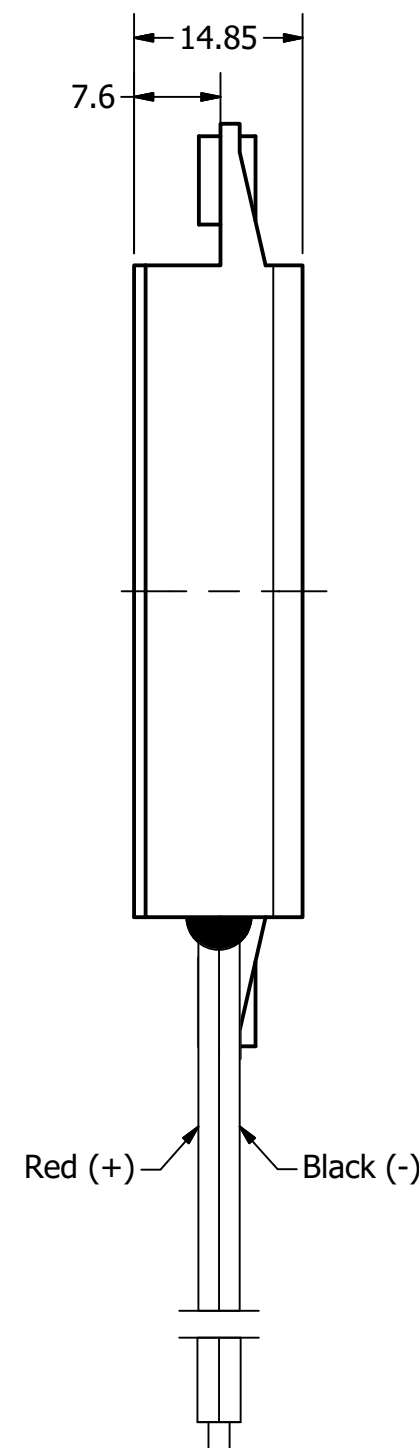
Part Number:	SC570708-1	
DESCRIPTION:	Dynamic Speaker	
DRAWN	CJ	4/15/2016
CHECKED		4/18/2016
P.D.		4/18/2016
APPROVED	J.S.	4/18/2016

This document contains data proprietary to DB Unlimited. Any use or reproduction, in any form, without prior written permission of DB Unlimited is prohibited. All terms and conditions can be found at www.dbunlimitedco.com

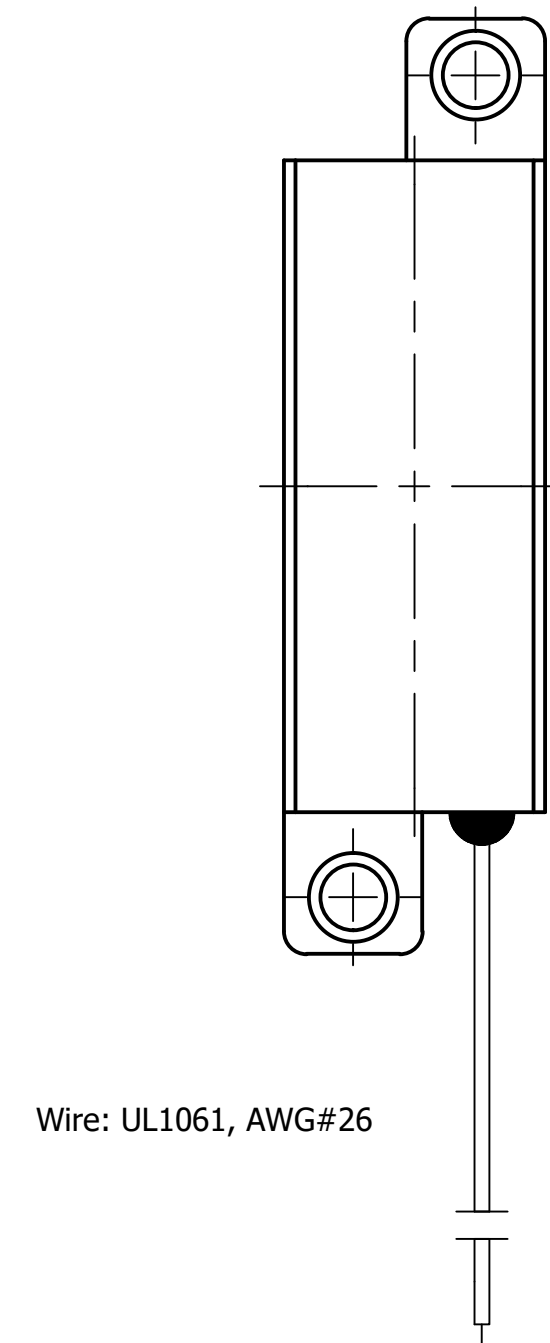
Top View



Side View



Bottom View



Items	Specifications	Conditions	REVISION HISTORY			
Sound Pressure Level	98	dB (@ 10cm)	REV	DESCRIPTION	DATE	APPROVED
Resonant Frequency	700	Hz		Released from Engineering	12/11/2013	J.S.
Frequency Range	700 ~ 20,000	Hz	1	Updated to new template	4/18/2016	J.S.
Nominal Power	2	W	2	Updated to new template, frequency range, dimensions	1/3/2018	C.E.
Max. Power	3	W				
Impedance	8	Ω				
Cone Material	Cloth		NOTES			
Mount Type	Flange Mount		1) All dimensions are in mm unless otherwise noted			
Storage Temperature	-30 ~ +70	°C	2) All tolerances are ± 0.5 mm unless otherwise noted			
Operating Temperature	-20 ~ +60	°C	3) All parts meet RoHS			
Weight	13.7	g	4) Subject to change or redrawn without notice			

Mouser Electronics

Authorized Distributor

Click to View Pricing, Inventory, Delivery & Lifecycle Information:

[DB Unlimited:](#)

[SC570708-1](#)