



Features

- Shielded construction
- 4K Vrms isolation
- 1:3 CT turns ratio
- 3.3 V input to 5 V output
- RoHS compliant*

Applications

- Power supplies
- EXAR SP3232E transceiver

SM51384L - High Voltage Isolation Power Transformer

Electrical Specifications

Inductance 1-3
(100 KHz, 0.1 Vrms)
..... 215 μ H \pm 30 %

DCR
1-3 0.7 ohms max.
6-4 1.8 ohms max.

Turns Ratio
1-3 / 6-4 1:3CT \pm 5 %

Voltage
1-3 / 6-4 3.3 V / 5 V

Volt-time Product 22 V μ S typ.

Hi-Pot 1-6, 4K Vrms, 1 mA, 2 sec.

General Specifications

Operating Temperature -40 to +95 °C

Storage Temperature -40 to +125 °C

Resistance to Solder Heat
..... +250 °C for 10 sec.

Materials

Core Ferrite

Wire Enameled copper

Terminal Finish Sn

Packaging Specifications

Tape & Reel 350 pcs./13 inch reel

How To Order

SM51384 E L

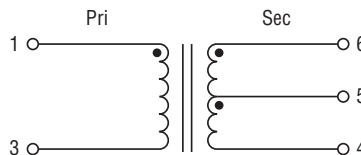
Model _____

Tape & Reel Packaging _____

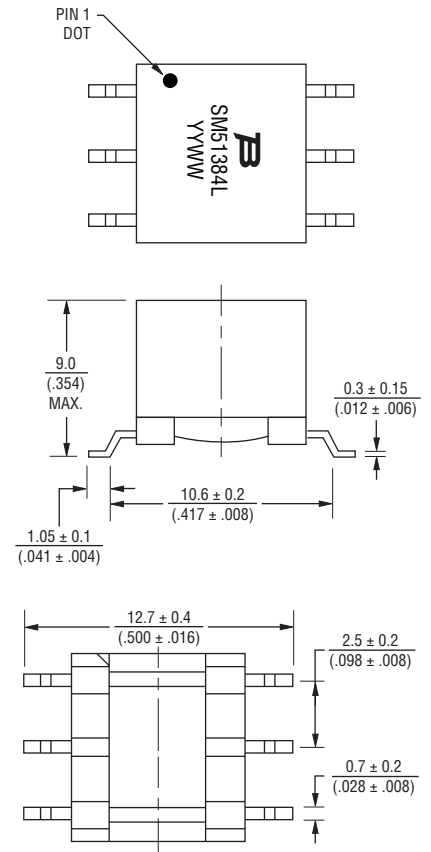
Termination _____

L = RoHS compliant

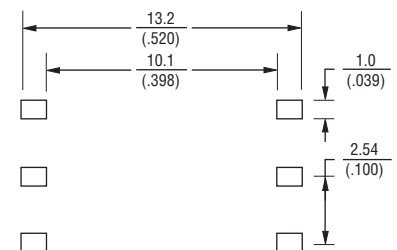
Electrical Schematic



Product Dimensions



Recommended Layout



DIMENSIONS: $\frac{\text{MM}}{\text{(INCHES)}}$

BOURNS®

Asia-Pacific: Tel: +886-2 2562-4117 • Fax: +886-2 2562-4116

Europe: Tel: +41-41 768 5555 • Fax: +41-41 768 5510

The Americas: Tel: +1-951 781-5500 • Fax: +1-951 781-5700

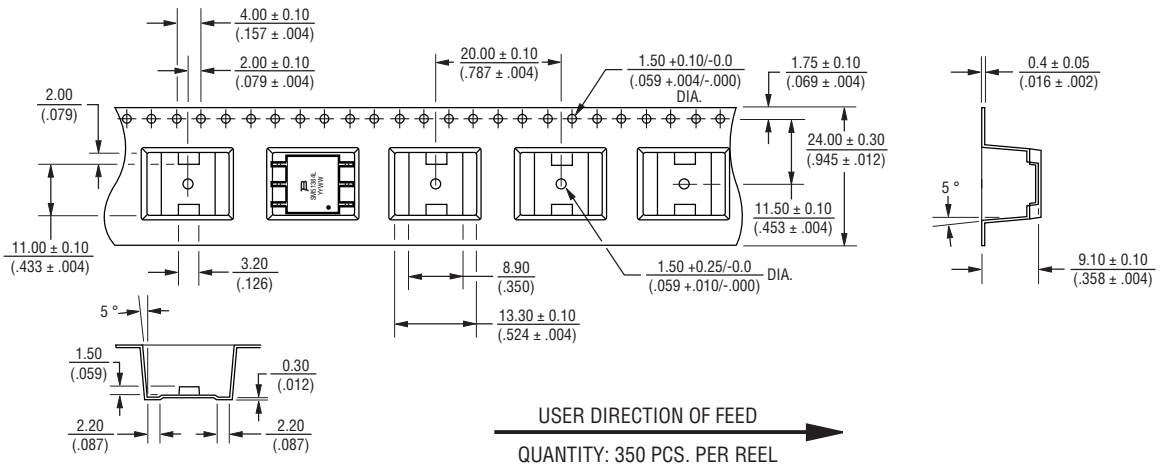
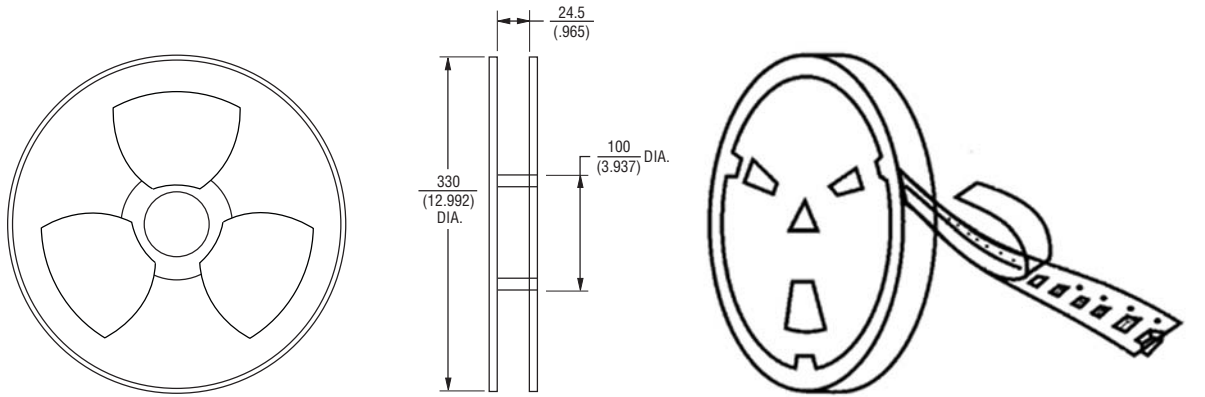
www.bourns.com

*RoHS Directive 2002/95/EC Jan. 27, 2003 including annex and RoHS Recast 2011/65/EU June 8, 2011.
Specifications are subject to change without notice.
Customers should verify actual device performance in their specific applications.

SM51384L - High Voltage Isolation Power Transformer

BOURNS®

Packaging Specifications



DIMENSIONS: $\frac{\text{MM}}{\text{(INCHES)}}$

Mouser Electronics

Authorized Distributor

Click to View Pricing, Inventory, Delivery & Lifecycle Information:

[Bourns:](#)

[SM51384EL](#)