

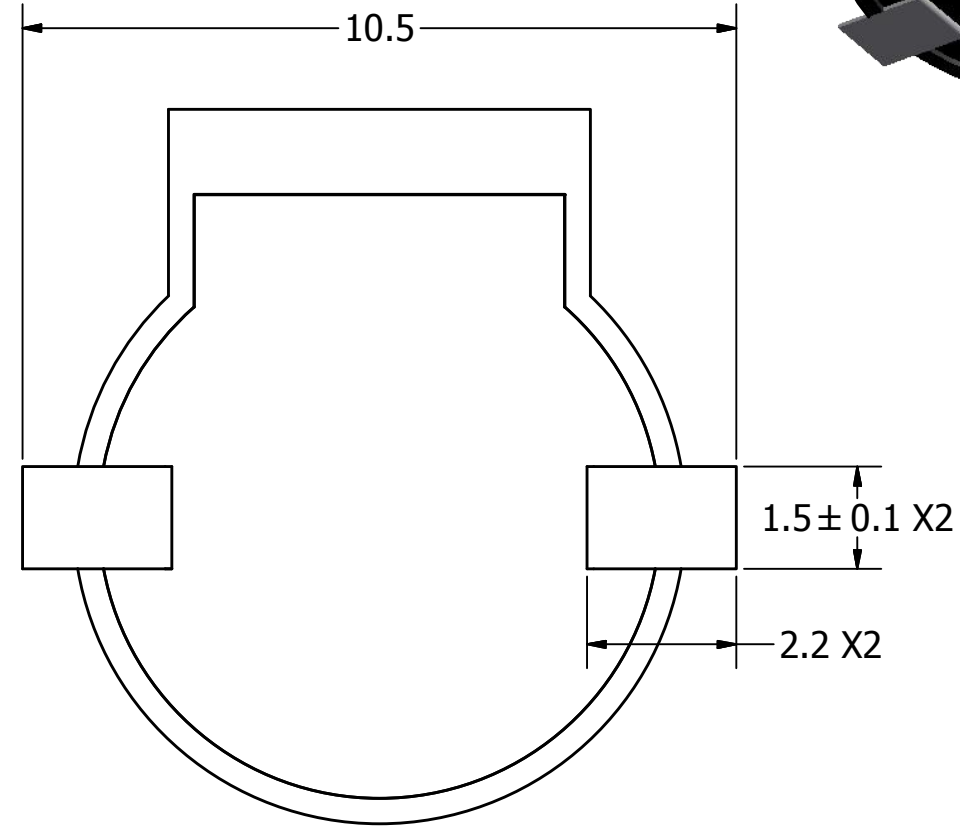
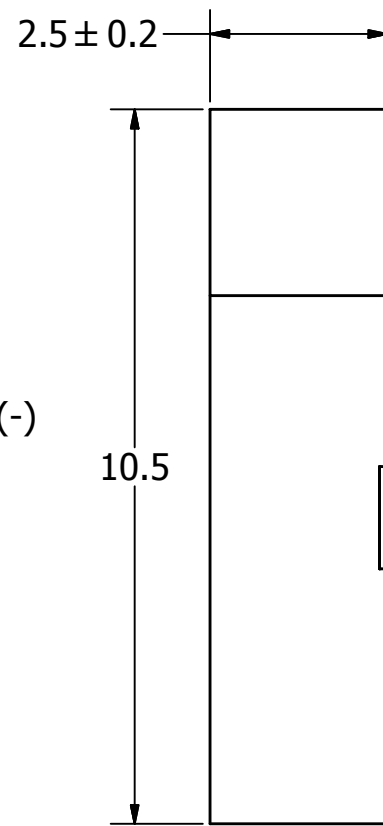
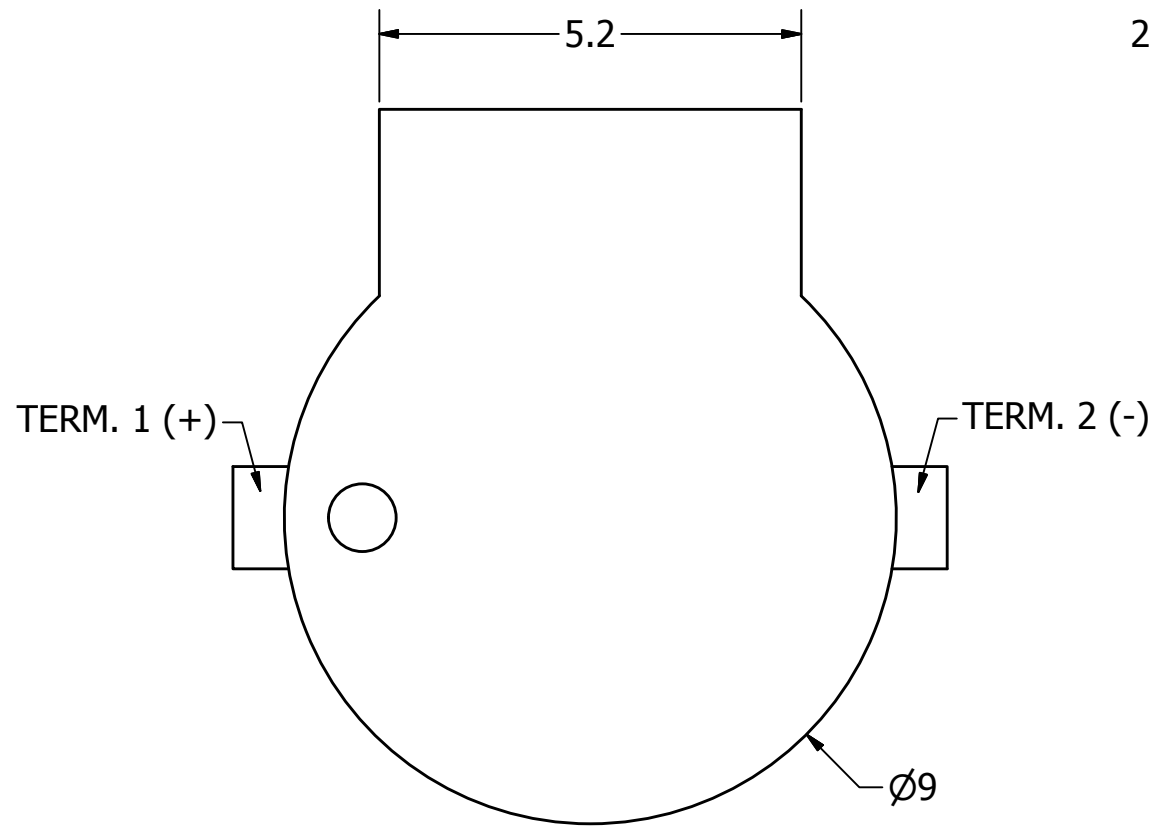
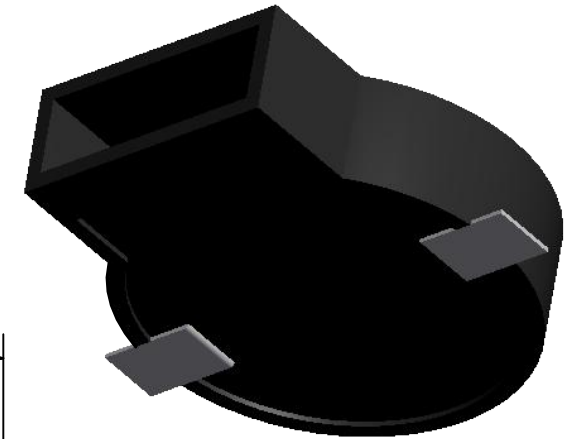
SPECIFICATIONS

| PARAMETERS | VALUES | UNIT |
|-----------------------------|-----------------|-------|
| RATED VOLTAGE (SQUARE WAVE) | 3.6 | Vpk |
| OPERATING VOLTAGE RANGE | 2.5 ~ 4.5 | Vpk |
| RATED CURRENT (MAX) | 100 | mA |
| COIL RESISTANCE | 16 ± 3 | OHM |
| MINIMUM SPL @ 10 CM | 80 | dB |
| RESONANT FREQUENCY | 2,731 ± 500 | Hz |
| OPERATING TEMPERATURE | -30 ~ +70 | °C |
| STORAGE TEMPERATURE | -40 ~ +85 | °C |
| HOUSING MATERIAL | LCP | - |
| TERMINAL MATERIAL | Sn PLATED BRASS | - |
| WEIGHT | 0.8 | grams |

THIS DOCUMENT CONTAINS DATA PROPRIETARY TO PROJECTS UNLIMITED, INC. ANY USE OR REPRODUCTION, IN ANY FORM, WITHOUT PRIOR WRITTEN PERMISSION OF PROJECTS UNLIMITED, INC. IS PROHIBITED.
©2003, Projects Unlimited Inc.

REVISION HISTORY

| LTR | DESCRIPTION | DATE | APPROVED |
|-----|---------------------------|------------|----------|
| - | RELEASED FROM ENGINEERING | 2014/08/05 | |



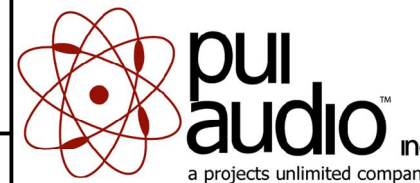
NOTES:

1. ALL DIMENSIONS ARE IN MILLIMETERS.
2. SPECIFICATIONS SUBJECT TO CHANGE OR WITHDRAWL WITHOUT NOTICE.
3. THIS PART IS RoHS 2011/65/EU COMPLIANT.

UNLESS OTHERWISE SPECIFIED:
ALL PURCHASES ARE SUBJECT TO AND INCORPORATE THE PUI AUDIO TERMS AND CONDITIONS SALE FOUND AT http://www.puiaudio.com/pdf/terms_conditions.pdf (paper copy available upon request).
DIMENSIONS ARE IN MILLIMETERS, TOLERANCES ARE ±0.5 AND ANGLES ARE ±3°.

SIZE
A3

| Designed by | Date | Checked by | Date | Approved by | Date | Drawn Date |
|-------------|----------|------------|----------|-------------|----------|------------|
| J.D. | 8/5/2014 | C.W. | 8/5/2014 | B.R. | 8/5/2014 | 8/5/2014 |



SMT-1127-S-R

| | | |
|---------------------------|---------|-------|
| Transducer (Electro-Mech) | Edition | Sheet |
| | - | 1 / 1 |

SMT-1127-S-R.idw

Mouser Electronics

Authorized Distributor

Click to View Pricing, Inventory, Delivery & Lifecycle Information:

[PUI Audio:](#)

[SMT-1127-S-R](#)