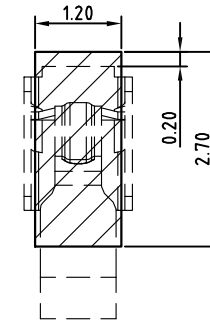
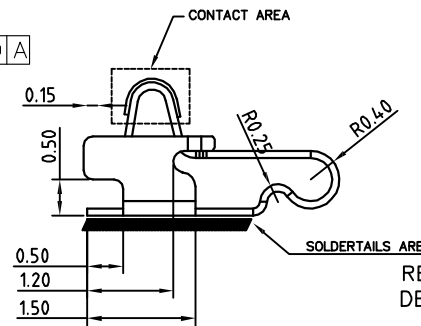
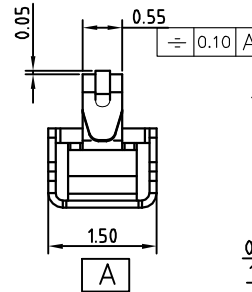
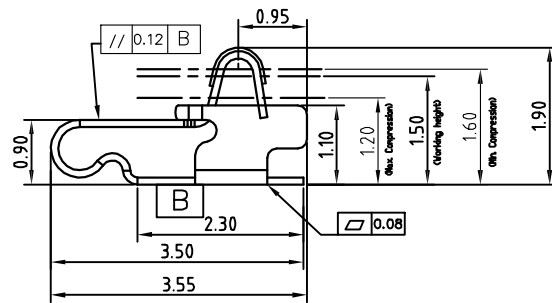
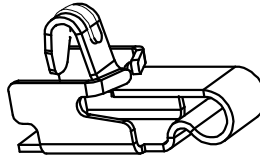
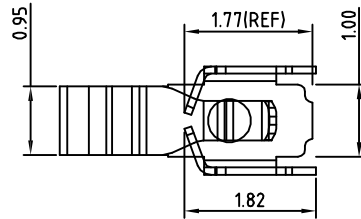


MD	Description	Please follow Pulse Limits for the hazardous substances (RoHS, halogens) in the document "Pulse Hazardous Substances (HS) Limits (RPGE002-03)" and "Vendor Survey Questionnaire, Material Composition (LOM-SAF-L0040)".	Reliability Test Spec according to WIHS7.5.33 (Reliability Test Working Instruction) Default test standard is Test Standard A if no definition
P1	FIRST RELEASE		

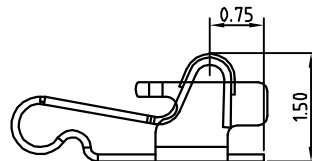
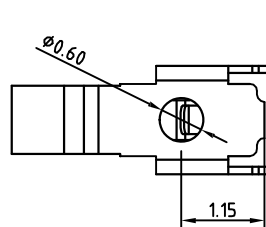
NOTES:UNLESS OTHERWISE SPECIFIED

1. MATERIAL: SUS304-H/C17200 TM06 XHM THICKNESS 0.10±0.01mm
2. NO CRACK APPEARS ON CONTACT BALL SHAPE.
3. NO LINES APPEARS ON BENDING AREA.
4. ALL UNSPECIFIED RADII TO BE 0.05 MAXIMUM .
5. BURR:0.03MAX;CUMBER:1.5MM MAX/500MM; TWIST:20°/500MM.
6. PRE-LOAD FORCE:0.40N ON CONTACT POINT
7. PLATING: 3u"MIN GOLD PLATING ON CONTACT AREA, GOLD FLASH PLATING ON SOLDER AREA, 50u" MIN NICKEL PLATING OVER ALL



RECOMMENDED PCB LAYOUT
DEFAULT TOLERANCE IS ±0.05MM

PART NO.	MATERIAL
TX80102-001	SUS304-H T=0.1±0.01
TX80102-002	C17200 TM06 XHM T=0.1±0.01



STATE AT WORKING HIGHT 1.50

Confidential
This is a proprietary information of Pulse Suzhou.
No reproduction/copying is allowed without permission.

Functional Characteristics Key (Cpk requirement : Cpk) >
 ♦ Process Capability Studies required (total pcs)
 ♦ Ongoing Statistical Process Control Required (total pcs)
 ♦ Critical dimension need to be measured, no CPK requirement (total pcs)

- .X± 0.15
- .XX± 0.10
- .XXX±0.05
- X:± 5°

PULSE (SUZHOU) WIRELESS PRODUCTS CO.LTD.		THIRD ANGLE PROJECTION		SHEET NUMBER 1 / 1	
		GENERAL TOLERANCE			
		CUSTOMER NUMBER			
99 HUOJU RD. SUZHOU NEW DISTRICT 215009 P.R.CHINA		SCALE	DESIGN	JACKIE	JUN-28-18
		4.000	CHECKED	MARK	Nov-22-17
			APPROVED	JAMES	Nov-22-17
ITEM	DOCUMENT NUMBER	PART VERSION	DOCUMENT VERSION		
TX80102-001(CLIP)	SW0181N	P01	P1	P1	JUN-28-18
		MOD	DATE	JACKIE	NAME

Mouser Electronics

Authorized Distributor

Click to View Pricing, Inventory, Delivery & Lifecycle Information:

Pulse:

[SW0181N](#)