

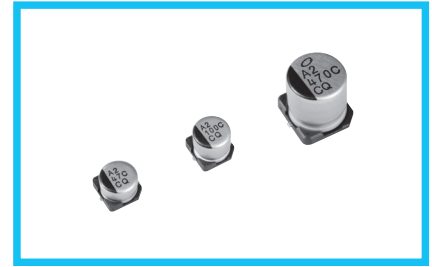
ALUMINUM ELECTROLYTIC CAPACITORS



Chip Type, For Audio Equipment
Wide Temperature Range



- Chip type acoustic series within the wide temperature range.
- Applicable to automatic mounting machine fed with carrier tape.
- Compliant to the RoHS directive (2015/65/EU)

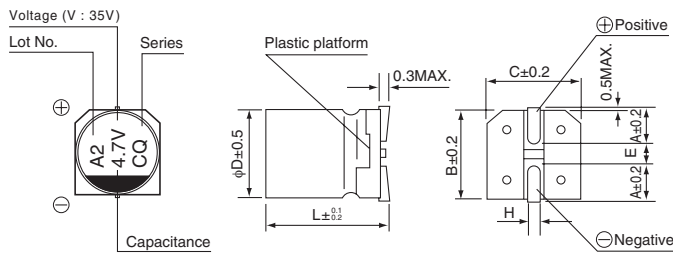


Specifications

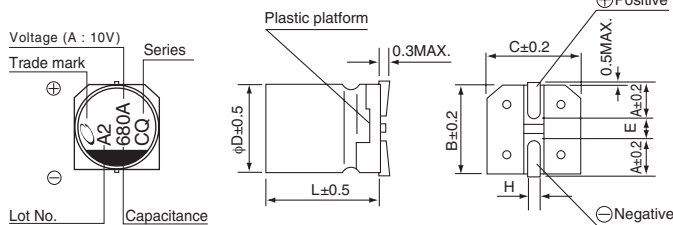
Item	Performance Characteristics																
Category Temperature Range	-55 to +105°C																
Rated Voltage Range	10 to 35V																
Rated Capacitance Range	4.7 to 680μF																
Capacitance Tolerance	±20% (120Hz, 20°C)																
Leakage Current	After 2 minutes' application of rated voltage at 20°C, leakage current is not more than 0.01CV.																
Tangent of loss angle (tan δ)	Measurement frequency : 120Hz at 20°C																
	<table border="1"> <tr> <td>Rated voltage (V)</td> <td>10</td> <td>16</td> <td>25</td> <td>35</td> </tr> <tr> <td>tan δ (MAX.)</td> <td>0.26</td> <td>0.22</td> <td>0.16</td> <td>0.13</td> </tr> </table>	Rated voltage (V)	10	16	25	35	tan δ (MAX.)	0.26	0.22	0.16	0.13						
Rated voltage (V)	10	16	25	35													
tan δ (MAX.)	0.26	0.22	0.16	0.13													
Stability at Low Temperature	Measurement frequency : 120Hz																
	<table border="1"> <tr> <td>Rated voltage (V)</td> <td>10</td> <td>16</td> <td>25</td> <td>35</td> </tr> <tr> <td>Impedance ratio ZT / Z20 (MAX.)</td> <td>Z-25°C / Z+20°C</td> <td>3</td> <td>2</td> <td>2</td> <td>2</td> </tr> <tr> <td></td> <td>Z-40°C / Z+20°C</td> <td>5</td> <td>4</td> <td>3</td> <td>3</td> </tr> </table>	Rated voltage (V)	10	16	25	35	Impedance ratio ZT / Z20 (MAX.)	Z-25°C / Z+20°C	3	2	2	2		Z-40°C / Z+20°C	5	4	3
Rated voltage (V)	10	16	25	35													
Impedance ratio ZT / Z20 (MAX.)	Z-25°C / Z+20°C	3	2	2	2												
	Z-40°C / Z+20°C	5	4	3	3												
Endurance	<p>The specifications listed at right shall be met when the capacitors are restored to 20°C after the rated voltage is applied for 2000 hours (1000 hours for 4.5L) hours at 105°C.</p> <table border="1"> <tr> <td>Capacitance change</td> <td>Within ±30% of the initial capacitance value</td> </tr> <tr> <td>tan δ</td> <td>300% or less than the initial specified value</td> </tr> <tr> <td>Leakage current</td> <td>Less than or equal to the initial specified value</td> </tr> </table>	Capacitance change	Within ±30% of the initial capacitance value	tan δ	300% or less than the initial specified value	Leakage current	Less than or equal to the initial specified value										
Capacitance change	Within ±30% of the initial capacitance value																
tan δ	300% or less than the initial specified value																
Leakage current	Less than or equal to the initial specified value																
Shelf Life	After storing the capacitors under no load at 105°C for 1000 hours and then performing voltage treatment based on JIS C 5101-4 clause 4.1 at 20°C, they shall meet the specified values for the endurance characteristics listed above.																
Resistance to soldering heat	<p>The capacitors are kept on a hot plate for 30 seconds, which is maintained at 250°C. The capacitors shall meet the characteristic requirements listed at right when they are removed from the plate and restored to 20°C.</p> <table border="1"> <tr> <td>Capacitance change</td> <td>Within ±10% of the initial capacitance value</td> </tr> <tr> <td>tan δ</td> <td>Less than or equal to the initial specified value</td> </tr> <tr> <td>Leakage current</td> <td>Less than or equal to the initial specified value</td> </tr> </table>	Capacitance change	Within ±10% of the initial capacitance value	tan δ	Less than or equal to the initial specified value	Leakage current	Less than or equal to the initial specified value										
Capacitance change	Within ±10% of the initial capacitance value																
tan δ	Less than or equal to the initial specified value																
Leakage current	Less than or equal to the initial specified value																
Marking	Black print on the case top.																

Chip Type

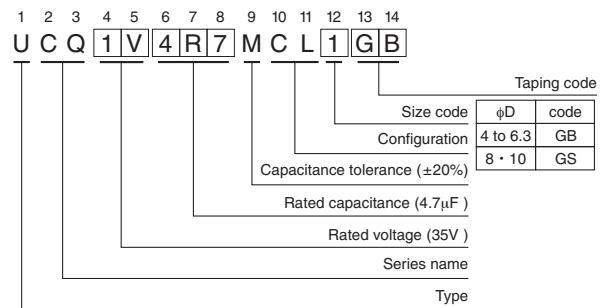
(φ4 to φ6.3)



(φ8 × 10L, φ10 × 10L)



Type numbering system (Example : 35V 4.7μF)



φD × L	4 × 4.5	5 × 4.5	6.3 × 4.5	6.3 × 5.8	6.3 × 7.7	8 × 10	10 × 10
A	1.8	2.1	2.4	2.4	2.4	2.9	3.2
B	4.3	5.3	6.6	6.6	6.6	8.3	10.3
C	4.3	5.3	6.6	6.6	6.6	8.3	10.3
E	1.0	1.3	2.2	2.2	2.2	3.1	4.5
L	4.5	4.5	4.5	5.8	7.7	10	10
H	0.5 to 0.8	0.5 to 0.8	0.5 to 0.8	0.5 to 0.8	0.5 to 0.8	0.8 to 1.1	0.8 to 1.1

Rated voltage

V	10	16	25	35
Code	A	C	E	V



■ Dimensions

Cap.(μ F)	V Code	10		16		25		35	
		1A		1C		1E		1V	
4.7	4R7					4 × 4.5	15	4 × 4.5	15
10	100			4 × 4.5	15	5 × 4.5	30	5 × 4.5	30
22	220	5 × 4.5	30	5 × 4.5	30	6.3 × 4.5	40	6.3 × 4.5	40
33	330	5 × 4.5	30	6.3 × 4.5	40	6.3 × 4.5	40	6.3 × 5.8	100
47	470	6.3 × 4.5	40	6.3 × 4.5	40	6.3 × 5.8	100	6.3 × 7.7	120
100	101	6.3 × 5.8	100	6.3 × 5.8	100	6.3 × 7.7	120	8 × 10	250
220	221	6.3 × 7.7	120	8 × 10	250	8 × 10	250	10 × 10	400
330	331	8 × 10	250	8 × 10	250	10 × 10	400	10 × 10	400
470	471	8 × 10	250	10 × 10	400	10 × 10	400	Case size ϕ D × L (mm)	Rated ripple
680	681	10 × 10	400						

Rated ripple current (mArms) at 105°C 120Hz

● Frequency coefficient of rated ripple current

Frequency	50 Hz	120 Hz	300 Hz	1 kHz	10 kHz or more
Coefficient	0.70	1.00	1.17	1.36	1.50

- Taping specifications are given in page 23.
- Recommended land size, soldering by reflow are given in page 18, 19.
- Please refer to page 3 for the minimum order quantity.

Mouser Electronics

Authorized Distributor

Click to View Pricing, Inventory, Delivery & Lifecycle Information:

Nichicon:

[UCQ1C101MCL1GS](#) [UCQ1C221MCL1GS](#) [UCQ1E220MCL1GB](#) [UCQ1V220MCL1GB](#) [UCQ1A331MCL1GS](#)
[UCQ1E330MCL1GB](#) [UCQ1V330MCL1GS](#) [UCQ1A471MCL1GS](#) [UCQ1E470MCL1GS](#) [UCQ1V101MCL1GS](#)
[UCQ1A101MCL1GS](#) [UCQ1C331MCL1GS](#) [UCQ1C470MCL1GB](#) [UCQ1C471MCL1GS](#) [UCQ1A221MCL1GS](#)
[UCQ1C100MCL1GB](#) [UCQ1V100MCL1GB](#) [UCQ1V470MCL1GS](#) [UCQ1C220MCL1GB](#) [UCQ1E101MCL1GS](#)
[UCQ1E331MCL1GS](#) [UCQ1V221MCL1GS](#) [UCQ1E100MCL1GB](#) [UCQ1V331MCL1GS](#) [UCQ1V4R7MCL1GB](#)
[UCQ1A470MCL1GB](#) [UCQ1A681MCL1GS](#) [UCQ1A220MCL1GB](#) [UCQ1A330MCL1GB](#) [UCQ1C330MCL1GB](#)
[UCQ1E221MCL1GS](#) [UCQ1E471MCL1GS](#) [UCQ1E4R7MCL1GB](#)