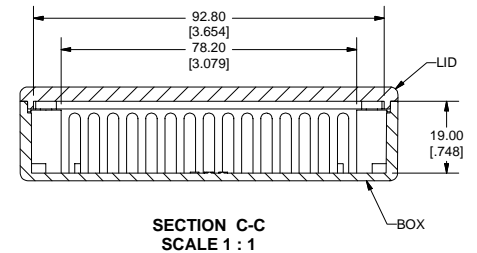
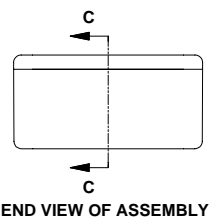
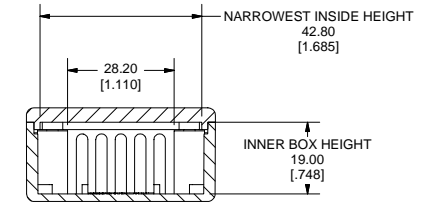
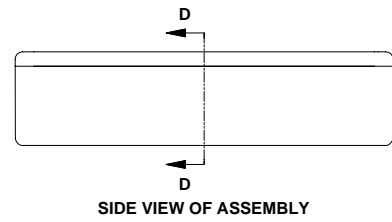
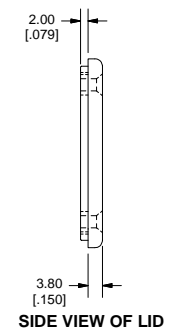
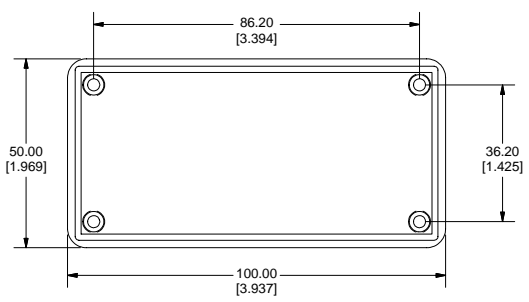
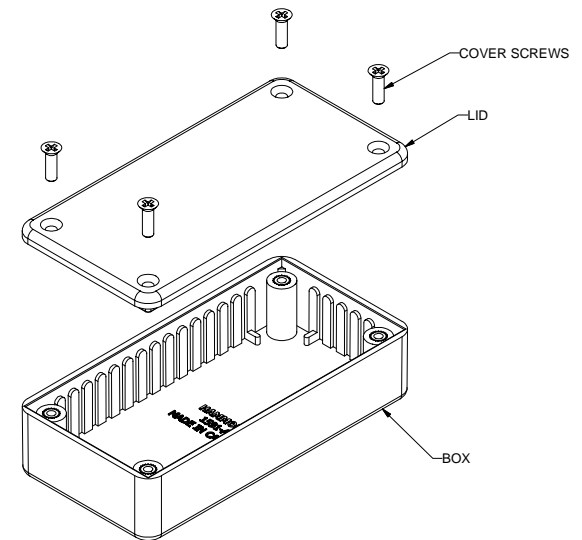
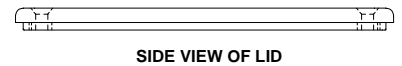
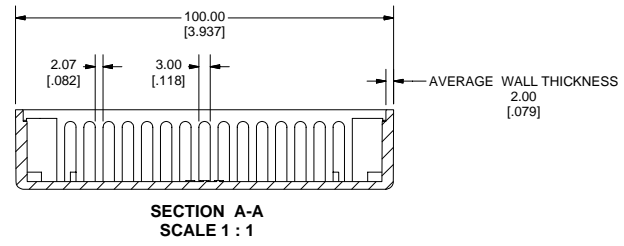
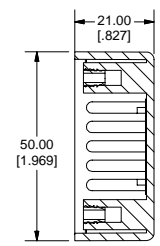
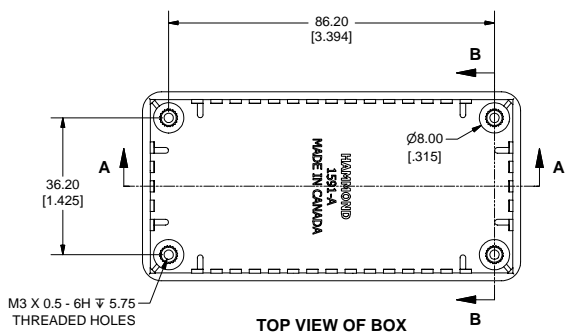
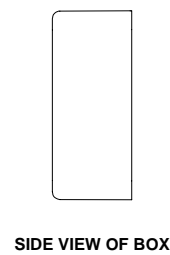


1591A



PART NUMBERS		
1591A Enclosures		
Material	Colour	Part Number
ABS	Beige	1591ABG
	Black	1591ABK
	Blue	1591ABU
	Grey	1591AGY
GP ABS	Black Shielded	1591RABK
	Black	1591ASBK
Translucent Polycarbonate	Ice Blue	1591ATBU
	IR Red	1591ATRD
	Crystal Clear	1591ATCL
Accessories		
	Description	Part Number
Used with ABS and Translucent Polycarbonate Enclosures	PC Board Card Adapters	See Accessories Section
	Flange Kits	See Accessories Section
	Replacement Screws, nickel plated M3 - 0.5 x 10mm, Pack of 100	1591MS100
	Belt/Pocket Clip, w/ nylon screws (insulated to avoid interference) and mounting template	1599CLIP - Black
	Clear Lids - clear, flame retardant polycarbonate - Lid ONLY	1599CLIPGY - Grey
	Clear Lids - clear, flame retardant polycarbonate - Lid ONLY	1591AC
	PC Board Card Adapters	See Accessories Section
	Flange Kits	See Accessories Section
	Belt/Pocket Clip, w/ nylon screws (insulated to avoid interference) and mounting template	1599CLIP - Black
	Replacement Screws, self tapping, black oxide, #4 x 0.5, Pack of 100	1591TS100BK
Clear Lids - clear, flame retardant polycarbonate - Lid ONLY	1591AC	
Required Torque on Fasteners (no lubrication)		
	M3 - 0.5 x 10mm Screws	30-40 cN*m
	#4 x 0.5 Screws	30-40 cN*m

