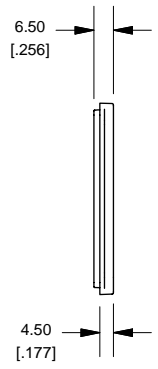
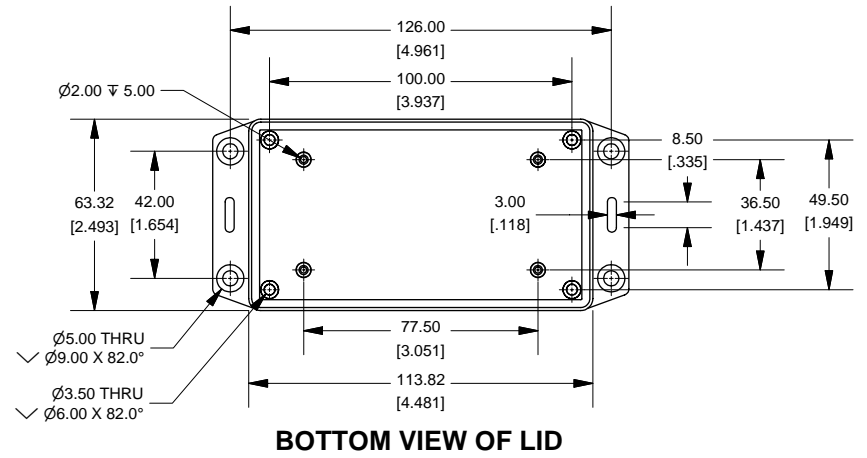
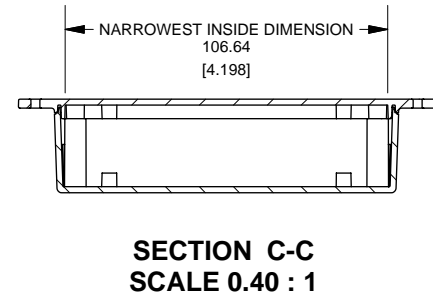
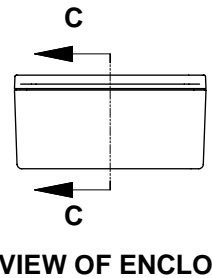
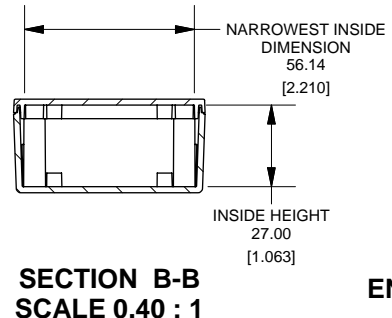
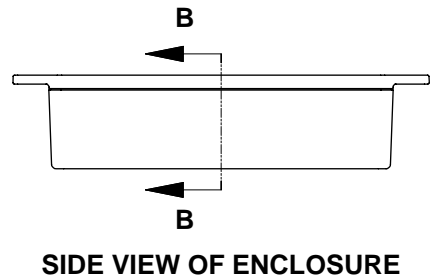
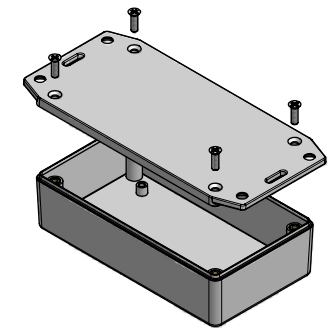
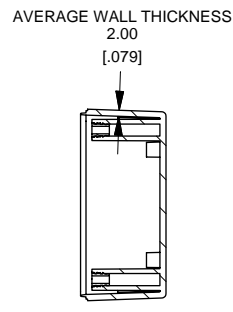
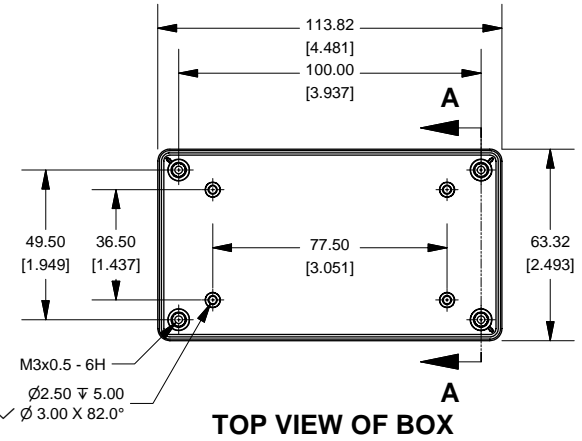
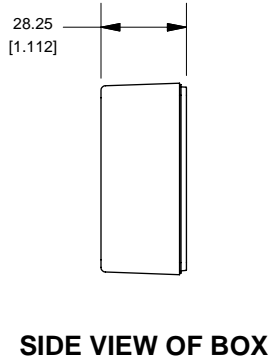


# 1591XXBFL Enclosure



**NOTE**  
Purchased assembly includes lid and box made from FRABS 94-V0 material and cover screws.

<b>1591XXBFL</b>	
1591XXBFL Enclosure	
Flame Retardant ABS (UL94-V0)	
Black Enclosure - RAL 7011	1591XXBFLBK
<b>ACCESSORIES</b>	
For Flame Retardant ABS (UL94-V0)	
Black Enclosure Cover Screws (Pkg 100) [Machine Type M3-0.5 X 10mm]	1591MS100BK
<b>P.C. Board Screws (All Boxes)</b>	
P.C. Board Screws [#4 x 1/4" self-tapping (6.4mm)]	1593ATS50 (Pkg 50) 1593ATS100 (Pkg 100)

