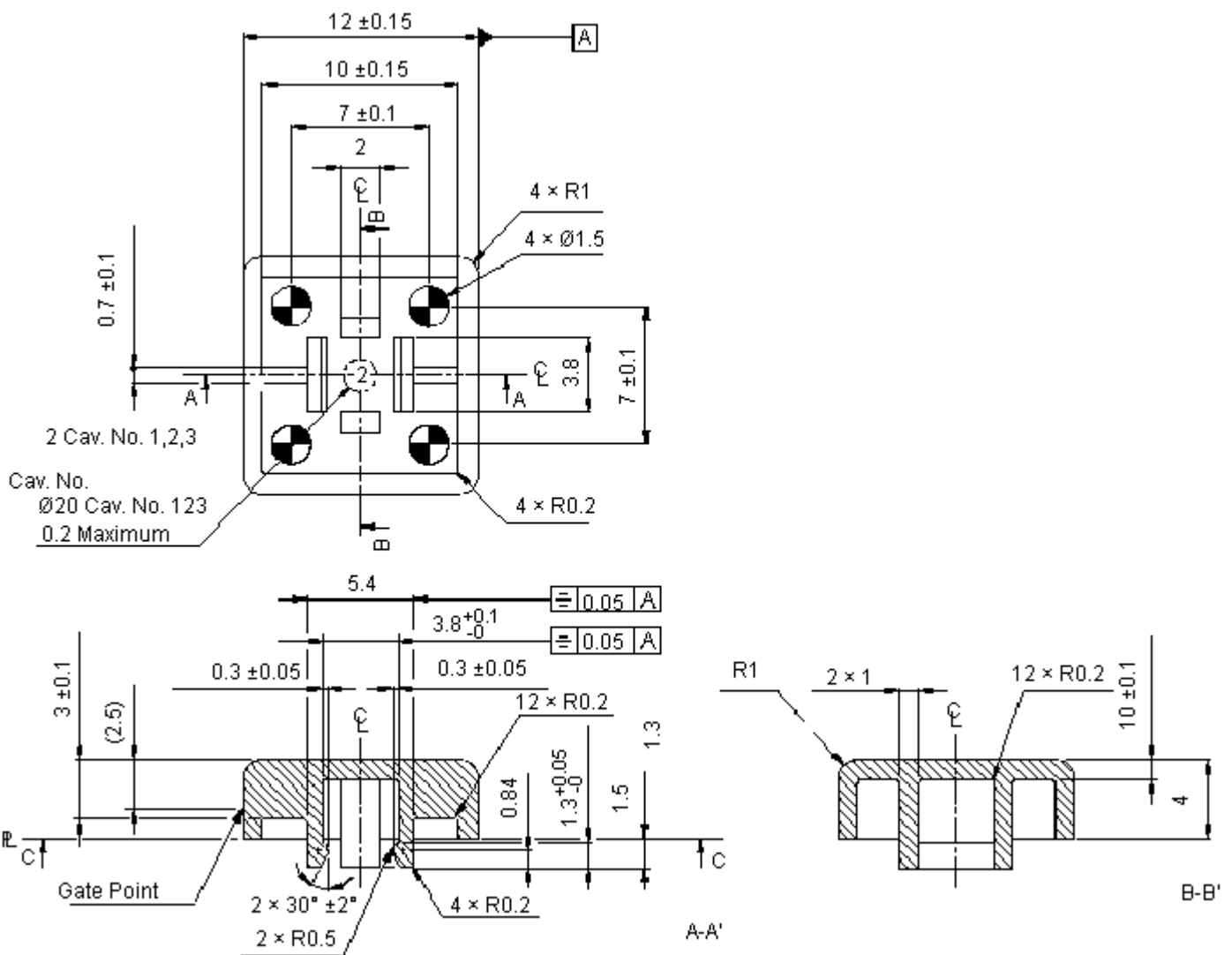


Caps for MCDTS2 Series

Keyboard Switches and Accessories



KTSC-21



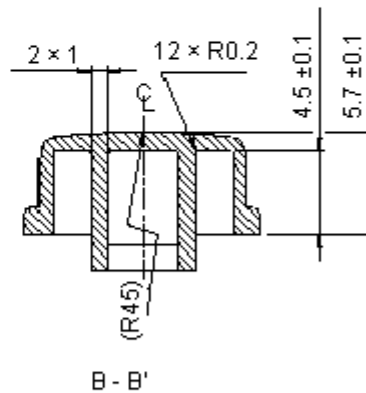
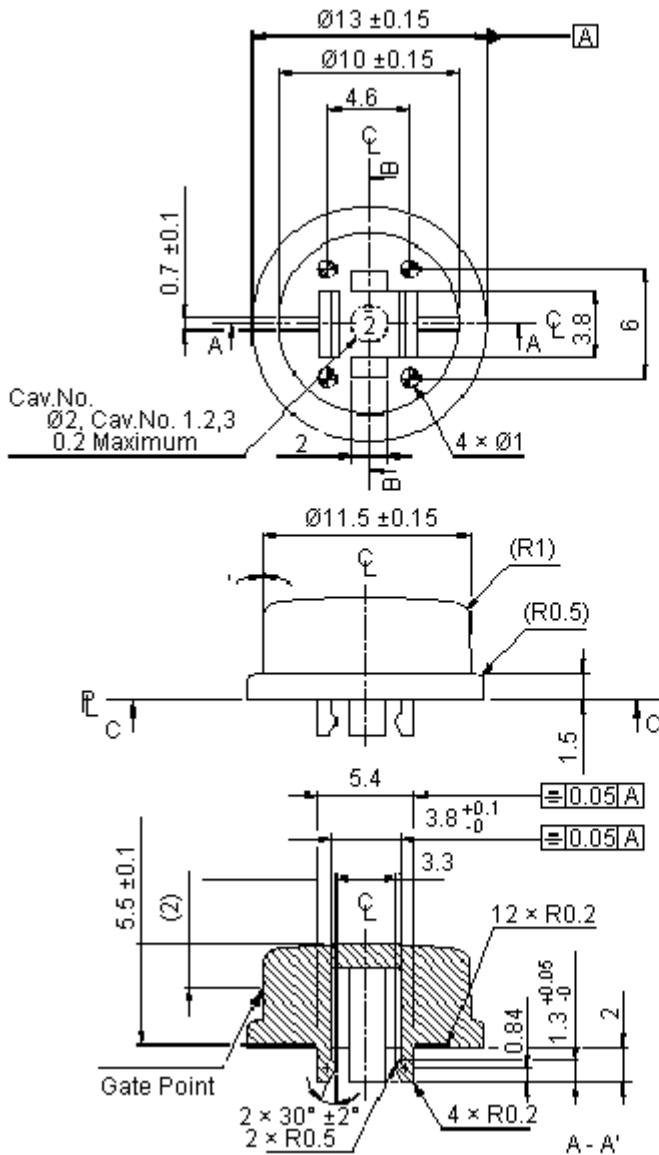
Dimensions : Millimetres

Caps for MCDTS2 Series

Keyboard Switches and Accessories



KTSC-22



Dimensions : Millimetres (Inches)

Specifications:

Mechanical

Operation temperature range : -25°C to +70°C
 Storage temperature range : -30°C to +80°C

Material

Cap : Thermoplastic ABS

Caps for MCDTS2 Series

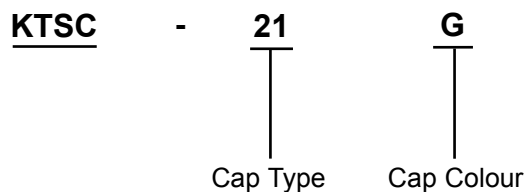
Keyboard Switches and Accessories



Part Number Table

Description	Part Number
Cap, Square, Green	KTSC-21G
Cap, Square, Yellow	KTSC-21Y
Cap, Square, Blue	KTSC-21B
Cap, Square, Red	KTSC-21R
Cap, Square, Ivory	KTSC-21I
Cap, Square, Black	KTSC-21K
Cap, Round, Orange	KTSC-22S
Cap, Round, Green	KTSC-22G
Cap, Round, Yellow	KTSC-22Y
Cap, Round, Blue	KTSC-22B
Cap, Round, Red	KTSC-22R
Cap, Round, Ivory	KTSC-22I
Cap, Round, Black	KTSC-22K

Part Number Explanation:



Cap Type : 21 = Square, 22 = Round

Cap Colour : Y = Yellow, B = Blue, R = Red, I = Ivory, K = Black, G = Green and S = Salmon

Important Notice : This data sheet and its contents (the "Information") belong to the members of the Premier Farnell group of companies (the "Group") or are licensed to it. No licence is granted for the use of it other than for information purposes in connection with the products to which it relates. No licence of any intellectual property rights is granted. The Information is subject to change without notice and replaces all data sheets previously supplied. The Information supplied is believed to be accurate but the Group assumes no responsibility for its accuracy or completeness, any error in or omission from it or for any use made of it. Users of this data sheet should check for themselves the Information and the suitability of the products for their purpose and not make any assumptions based on information included or omitted. Liability for loss or damage resulting from any reliance on the Information or use of it (including liability resulting from negligence or where the Group was aware of the possibility of such loss or damage arising) is excluded. This will not operate to limit or restrict the Group's liability for death or personal injury resulting from its negligence. Multicomp is the registered trademark of the Group. © Premier Farnell plc 2011.