

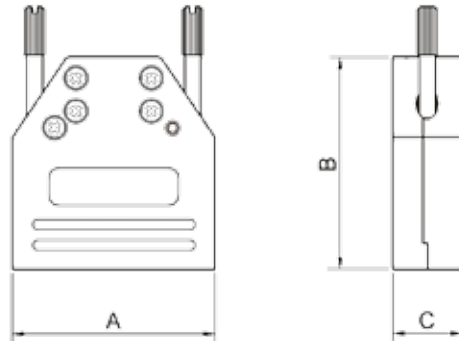
**TECHNICAL SPECIFICATIONS**

**Material:** Zinc, Nickel Plated  
**Operating Temperature:** -40°C to +120°C  
**Cable Entry:** Top Entry  
**Jackscrews:** UNC 4-40 (Standard)  
 Other thread on request  
**Cable O.D:** Up to 13mm



**Features:**

- Available in sizes 9-15-25-37-50
- Excellent EMI Shielding
- Re-openable
- Double strain relief for strong and secure cable clamping



Size MHDTZI	Dim A	Dim B	Dim C
9-way	34,0	45,0	14,6
15-way	43,0	45,0	14,6
25-way	56,5	45,0	14,6
37-way	73,0	45,0	14,6
50-way	71,0	45,0	17,4

**Ordering information:**

Size:	P/N - Kitted:	Product Code:
9-way	6560-0305-01	MHDTZI09-K
15-way	6560-0305-02	MHDTZI15-K
25-way	6560-0305-03	MHDTZI25-K
37-way	6560-0305-04	MHDTZI37-K
50-way	6560-0305-05	MHDTZI50-K

Size:	P/N - BULK:	Product Code:
9-way	6561-0305-01	MHDTZI09
15-way	6561-0305-02	MHDTZI15
25-way	6561-0305-03	MHDTZI25
37-way	6561-0305-04	MHDTZI37
50-way	6561-0305-05	MHDTZI50