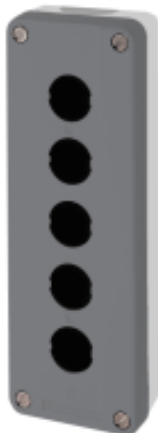


XALD05

dark grey empty enclosure lid with light grey base
- 5 cut-outs



Main

| | |
|-----------------------------|--|
| Range of product | Harmony XALD |
| Product or component type | Empty control station |
| Device short name | XALD |
| Product destination | For XB5 Ø 22 mm control and signalling units |
| Number of cut-out | 5 cut-outs |
| Colour of base of enclosure | Light grey RAL 7035 |
| Colour of cover | Dark grey RAL 7016 |
| Material | Polycarbonate |
| Cable entry | 2 knock-outs for cable entry, clamping capacity: <= 14 mm 2 knock-outs for Pg 13 cable gland and ISO M20, clamping capacity: <= 12 mm |
| IP degree of protection | IP69 IP67 IP66 conforming to IEC 60529 IP69K |

Complementary

| | |
|------------------------------------|--|
| Assembly style | For customer assembly |
| Number of horizontal rows | 1 |
| Number of vertical rows | 5 |
| Product weight | 0.322 kg |
| Resistance to high pressure washer | 7000000 Pa at 55 °C, distance: 0.1 m |
| Mounting of block | Front mounting Rear mounting |
| Electrical composition code | MF1 SF2 SR2 SR1 MF2 PF1 PF2 SF1 |

PR1
MR1

| | |
|------------------|---------------|
| Main group | 5 cut-outs |
| Group of product | Standard grey |

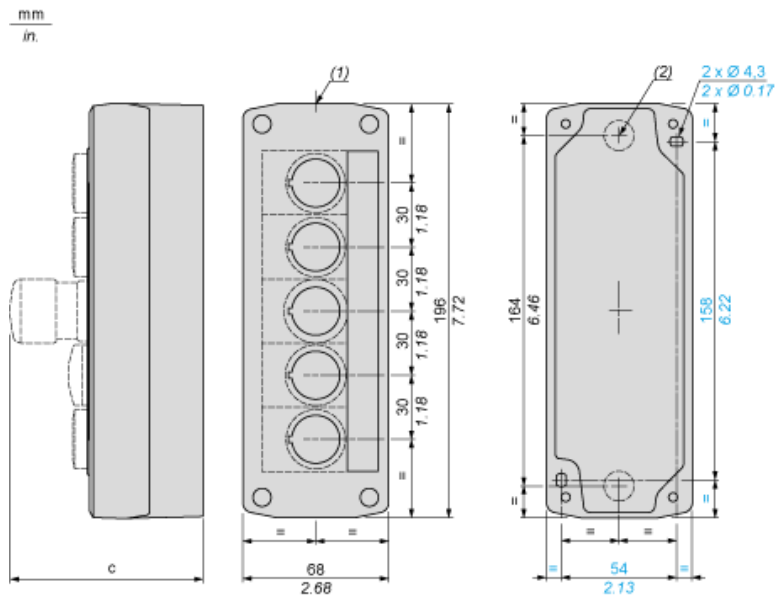
Environment

| | |
|---------------------------------------|---|
| Protective treatment | TH |
| Ambient air temperature for storage | -40...70 °C |
| Ambient air temperature for operation | -40...70 °C |
| Overvoltage category | Class II conforming to IEC 60536 |
| NEMA degree of protection | NEMA 13 NEMA 4X |
| IK degree of protection | IK03 conforming to EN 50102 |
| Standards | EN/IEC 60947-5-5 CSA C22.2 No 14 EN/IEC 60947-1 EN/IEC 60947-5-4 UL 508 EN/IEC 60947-5-1 JIS C 4520 |

Contractual warranty

| | |
|-----------------|-----------|
| Warranty period | 18 months |
|-----------------|-----------|

Dimensions



- (1) 2 knock-outs for Pg 13.5 cable gland, maximum capacity 12 mm/0.47 in.
 (2) Knock-out for cable entry, maximum capacity 14 mm/0.55 in.

| Control station fitted with: | c in mm | c in in. |
|---|---------|----------|
| Flush pushbutton | 62 | 2.44 |
| Pilot light | 64 | 2.52 |
| Illuminated pushbutton | 65.5 | 2.58 |
| Projecting pushbutton | 66 | 2.60 |
| Selector switch | 80 | 3.15 |
| Mushroom head pushbutton | 91.5 | 3.58 |
| Latching mushroom head Emergency stop pushbutton with key | 115 | 4.53 |
| Key switch | 105.5 | 4.15 |