

CN Information

Change Notice Information Announcement

Customer Care Center: 1(888)778-2733 or email: ccc@schneider-electric.com



GREEN Flag Notice

Time to Product Change: 5 Months

Note: The green flag notification indicates an **insignificant** change in form, fit, or function.

Product Name(s): 22mm XB5/ZB5 Plastic Pilot Lights

Customer Support No. 1(888)778-2733

Product Line Description: 22mm diameter XB5/ZB5 modular and monolithic plastic pilot lights

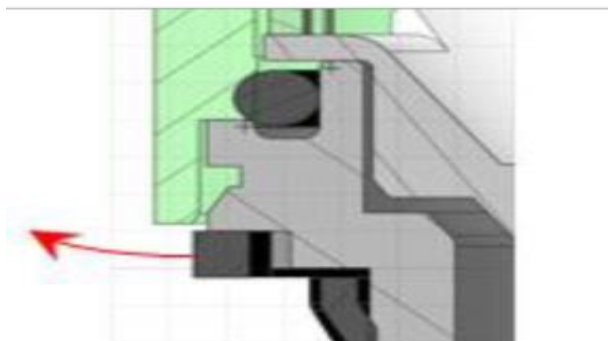
Document Issued: 09/22/2017

Description of Change:

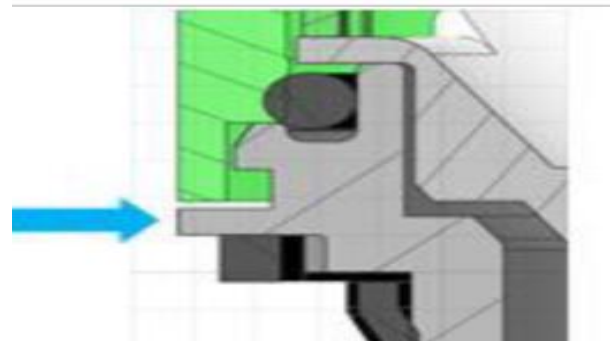
All XB5/ZB5 pilot lights will now comply with IP69/IP69K degree of protection standards based on the modifications made to the plastic mold. For more information on these changes, see page 2.

All XB5AV/ZB5AV/XB5EV pilot light will have new dimensions as seen in the images below. For more information please go to page 2.

Product Photos



Before



After

Current Product: Mold Change to Previous XB5/ZB5 Pilot Lights

New Product: Mold Change to **NEW** XB5/ZB5 Pilot Lights

Critical Dates

Product Change Takes Effect: 03/01/2018

Availability date of new product: 03/01/2018

Transition Tools (as required):

See attached: XB5 Pilot Light Mod Parts List Impacted.xlsx

CN Information

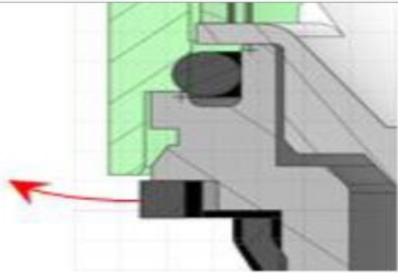
Change Notice Information Announcement

Customer Care Center: 1(888)778-2733 or email: ccc@schneider-electric.com



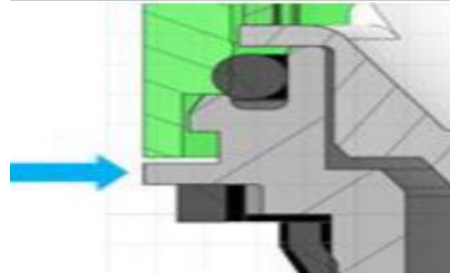
Product Photos

Mold Change to Previous XB5/ZB5 Pilot Lights



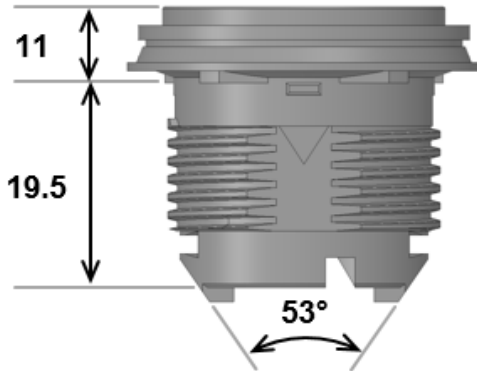
Before

Mold Change to **NEW** XB5/ZB5 Pilot Lights

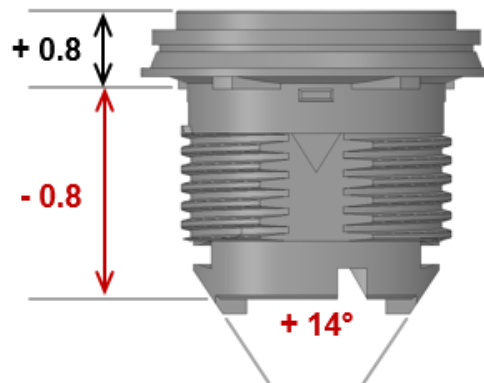


After

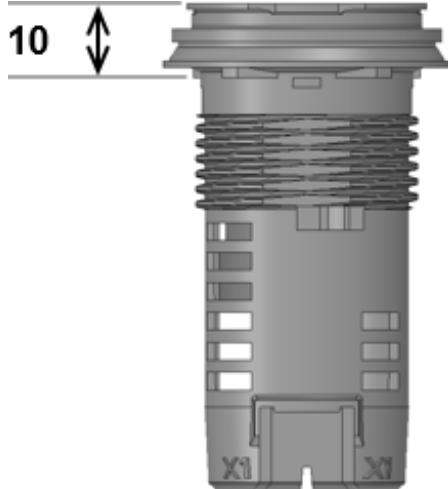
Previous Dimension of XB5AV/ZB5AV



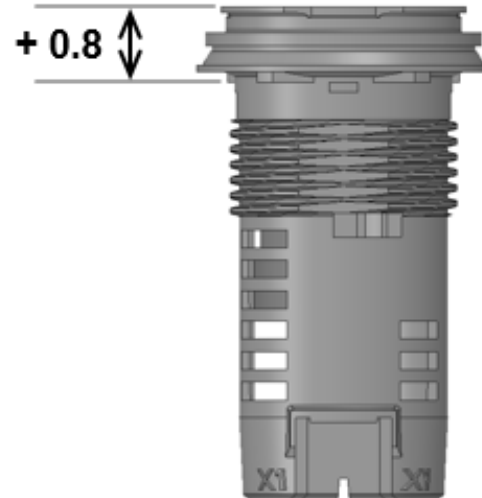
Dimensional Changes to Previous XB5AV/ZB5AV



Previous Dimension of XB5EV



Previous Dimension of XB5EV



Current Product: Previous Dimension of XB5AV/ZB5AV & XB5EV

New Product: Dimensional Changes to Previous XB5AV/ZB5AV & XB5EV

CN Information

Change Notice Information Announcement

Customer Care Center: 1(888)778-2733 or email: ccc@schneider-electric.com



Description of Change:

The XB5/ZB5 pilot lights will now comply with IP69/IP69K degree of protection standards based on the extension of the plastic mold to the edge of the lens cap seen in the first row of images on page 1. This extension will support the sealing of the rubber gasket to the panel.

Dimension Changes:

- The height of all XB5AV/ZB5AV pilot light heads will increase by 0.8mm above the existing design
- The angle of the plastic mold at the end of the bezels will increase by 14 degrees (see second row of images).
- The bezel below the panel will be decreased by 0.08mm.
- No changes mentioned will affect the capability of assembly with existing components such as mounting collars, contact blocks, and light modules.
- The 3rd row images illustrate that all XB5EV monolithic pilot light heads will increase by 0.8mm.